

# WASHBASIN SUBWAY 2.0

## PRODUCT INFORMATION

### 1 . POSITION



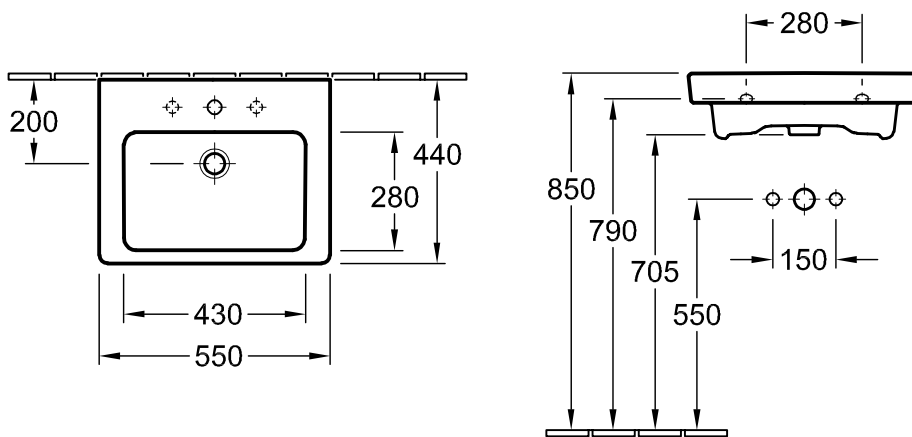
<b>Model</b>	<b>7113F5</b>
Collection	Subway 2.0
PROJECTS	DESIGN
Width	550 mm
Depth	440 mm
Weight	21,31 kg
description	Sanitary porcelain Also available in CeramicPlus wall fixation, for installation with furniture Subway 2.0 fastening with 2 screws M10x120 mm
Tap fitting / Tap hole remark	suitable for 3-hole tap fittings, central tap hole punched out
Overflow remark	with overflow
material	Sanitary porcelain
Specification texts	Subway 2.0; Washbasin; Sanitary porcelain; Size: 550 x 440 mm; Angular; suitable for 3-hole tap fittings, central tap hole punched out; with overflow; wall fixation, for installation with furniture Subway 2.0; fastening with 2 screws M10x120 mm

## COLOURS

White Alpin	7113F501	4047289996088
White Alpin CeramicPlus	7113F5R1	4047289996118
Star White CeramicPlus	7113F5R2	4047289996125
Pergamon CeramicPlus	7113F5R3	4047289996132

TECHNICAL DRAWINGS

7113F5



TECHNICAL DRAWINGS

7113F5

