

BATHROOM FURNITURE COLLARO

PRODUCT INFORMATION

1 . POSITION



Article number	C018B0DH
Article title	Villeroy & Boch Collaro Vanity unit, with lighting, 2 pull-out compartments, 1000 x 548 x 500 mm, Glossy White / Glossy White
Product designation	Vanity unit
Collection	Collaro
PROJECTS	■ DESIGN
Assembly / Assembly type	wall-mounted
Type of opening	2 pull-out compartments
Equipment	1 x wide glass drawer divider , 2 x narrow glass drawer divider 1 x accessory box L 2 x pull-out compartment with non-slip mat
Scope of delivery	1 x vanity unit , 1 x fastening set
Position of washbasin	washbasin on right
Ordering information	Please order specified washbasin separately. It is not always possible to cancel or alter orders!
Depth in mm	500
Width in mm	1000
Height in mm	548
Weight in kg	42,00
express delivery	No
Suitable for	selected washbasins
Function	<ul style="list-style-type: none"> • with SoftClosing • with lighting
Material front	MDF
Surface of front	Acrylic film
Material body	MDF
Surface of body	Acrylic film
Material cover panel	MDF
Other material	Handle: aluminium
Other surfaces	Handle: Paint, matt
Operating mode	Mains-operated
Energy detection	, This light contains built-in LEDs. The LEDs in the light cannot be replaced.
Lighting	1x LED
Power of lamp	1x LED / 7,3 W



PROJECTS

Light colour (designation & colour temperature)	2700 K (neutral white) to (daylight white)
Lighting control	with sensor dimmer
Type of handles	integrated
EAN number	4065467186298

General information

- After retrofitting with ZigBee Home Automation (C585 00 for illuminated vanity units and illuminated mirror) can be controlled via Smart Home environment. The products can be switched on and off with a sensor switch.
- The products can be connected via the Home Automation with all hubs/gateways using this transmission standard, such as Hue Bridge or suitable Amazon Echo module.

COLOURS

COLOUR DESIGNATION



Glossy White

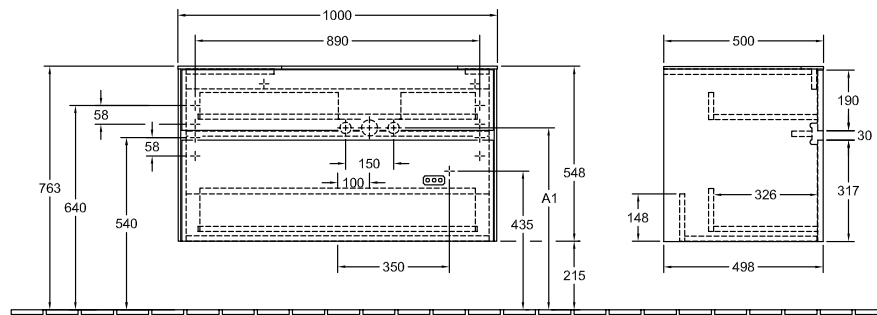
COLOUR DESIGNATION OF COVER PANEL

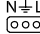


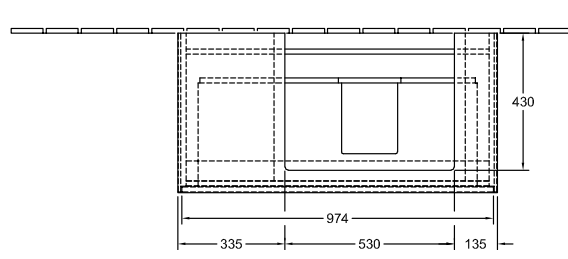
Glossy White

TECHNICAL DRAWINGS

C018B0DH



N $\frac{1}{2}$ L
 220 - 240V



	$\frac{2}{\phi}$	A1
4A334 6G	X	570
4168 6C:6L	X	600