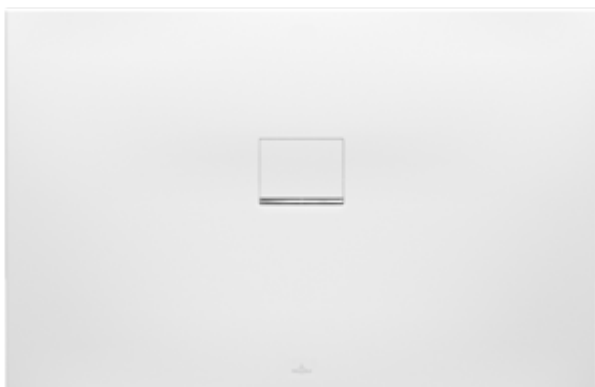


SHOWER TRAYS (ACRYLIC, QUARYL) SQUARO INFINITY

PRODUCT INFORMATION

1 . POSITION



Model	UDQ1290SQI2V
Collection	Squaro Infinity
PROJECTS	DESIGN
Width	900 mm
Height	40 mm
Depth	15 mm
Length	1200 mm
Weight	29,8 kg
description	<p>standard models for all installation types</p> <p>Technical information:: Drainage capacity: 48 l/min, The installation height of the shower tray can be reduced by 30 mm if the Viega outlet fitting art. no. 634 100 is used. Please note: this outlet fitting does not conform to EN 274., All shower trays are classified as anti-slip class C (in accordance with DIN51097), These shower trays are not cut and can be used for all types of installation (recessed in the floor, on the floor, on a base). Quaryl shower trays can be cut to size on site according to the installation instructions; detailed video at pro.villeroy-boch.com/squaroinfinity or QR code on this page.</p> <p>Outlet cover in matching matt colour with chrome-plated strip.</p> <p>Not included in scope of delivery:: All shower trays are supplied without support/base.</p> <p>Diameter: 90 mm</p>
material	Quaryl®

Specification texts

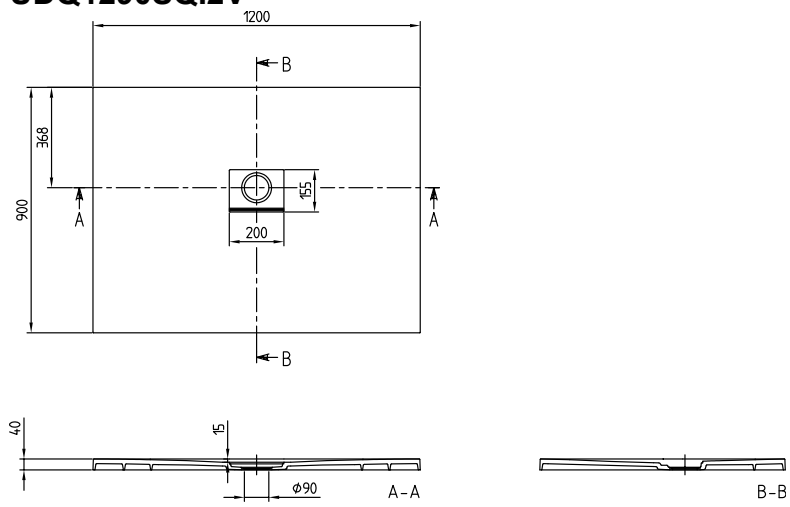
Squaro Infinity; Shower tray; Size: 1200 x 900 x 40 mm; Quaryl®; standard models for all installation types; Outlet cover in matching matt colour with chrome-plated strip.; Not included in scope of delivery: All shower trays are supplied without support/base.; Diameter: 90 mm; Technical information: Drainage capacity: 48 l/min, The installation height of the shower tray can be reduced by 30 mm if the Viega outlet fitting art. no. 634 100 is used. Please note: this outlet fitting does not conform to EN 274., All shower trays are classified as anti-slip class C (in accordance with DIN51097), **These shower trays are not cut and can be used for all types of installation (recessed in the floor, on the floor, on a base).** Quaryl shower trays can be cut to size on site according to the installation instructions; detailed video at pro.villeroy-boch.com/squaroinfinity or QR code on this page.

COLOURS

Anthracite	UDQ1290SQI2V-1S	4051202455996
Crème	UDQ1290SQI2V-2S	4051202457204
Grey	UDQ1290SQI2V-3S	4051202458416
Brown	UDQ1290SQI2V-4S	4051202459628
Stone White	UDQ1290SQI2V-RW	4051202851682

TECHNICAL DRAWINGS

UDQ1290SQI2V



TECHNICAL DRAWINGS

UDQ1290SQI2V

