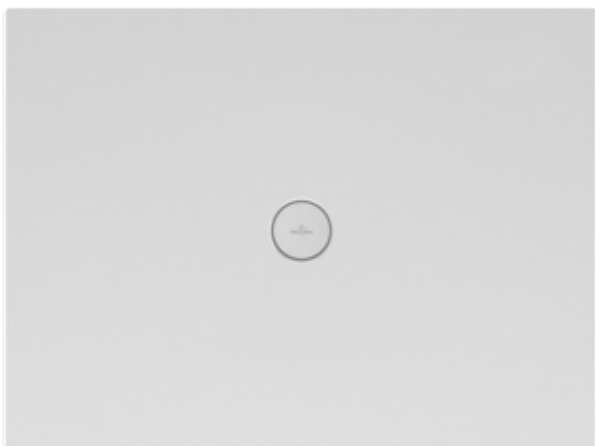


SHOWER TRAYS (CERAMICS) SUBWAY INFINITY

PRODUCT INFORMATION

1 . POSITION



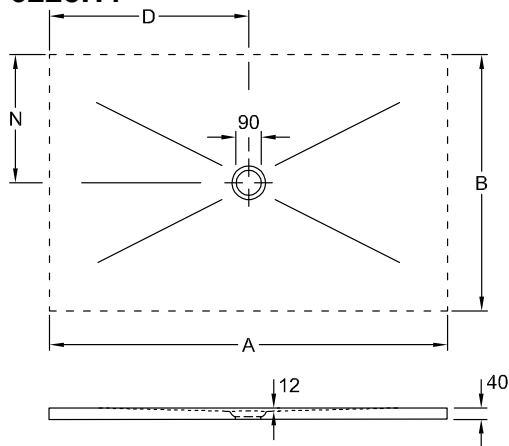
| | |
|---------------------|--|
| Model | 6228H4 |
| Collection | Subway Infinity |
| PROJECTS | DESIGN |
| Width | 900 mm |
| Height | 40 mm |
| Length | 900 mm |
| Weight | 34,02 kg |
| description | <p>Ceramic not available in CeramicPlus These shower trays are cut along four sides (unglazed) and can be used for flush installation only. Total price includes the surcharge for cutting!, Orders that we have confirmed for custom-made shower trays cannot be cancelled or altered., The installation height of the shower can be reduced by 30mm if outlet fitting 9226 00 XX is used. Please note: this outlet fitting does not conform to EN 274., *Shower trays marked with an asterisk can only be installed with Mepa installation system art. no. 9223 76 or in a mortar bed. Ceramic available in White Alpin (01) with anti-slip class B (PN18), Taupe (TP), Ardoise (W9) and ViPrint décors with anti-slip class A (PN12). slip-resistant</p> |
| material | Ceramic |
| Specification texts | Subway Infinity; Shower tray; Ceramic; Size: 900 x 900 x 40 mm; Square |

COLOURS

| | | |
|-----------------------------|------------|---------------|
| Townhouse | 6228H4VPC0 | 4051202518127 |
| Abbey Grey | 6228H4VPC1 | 4051202517830 |
| Abbey Blue | 6228H4VPC2 | 4051202512385 |
| Palazzo | 6228H4VPC3 | 4051202512354 |
| Drift Wood | 6228H4VPC6 | 4051202512781 |
| Highland Stone | 6228H4VPC7 | 4051202511456 |
| Nordic Creek | 6228H4VPC8 | 4051202511104 |
| Blue Lagoon | 6228H4VPC9 | 4051202511913 |
| Star Flower | 6228H4VPD0 | 4051202511623 |
| Sinus Black | 6228H4VPD1 | 4051202514457 |
| Sinus White | 6228H4VPD2 | 4051202514426 |
| Eternity | 6228H4VPD3 | 4051202514396 |
| Ardoise Anti-slip | 6228H4W9 | 4051202469207 |
| White Alpin | 6228H401 | 4051202469177 |
| Taupe Anti-slip | 6228H4TP | 4051202469184 |
| X-Plane Anthracite-Effect | 6228H4VPA3 | 4051202468170 |
| Lodge Dark Brown | 6228H4VPA6 | 4051202516468 |
| Bernina Beige-Effect | 6228H4VPA7 | 4051202517212 |
| Bernina Anthracite Matt | 6228H4VPA8 | 4051202516925 |
| Upper Side Greige-Effect | 6228H4VPB6 | 4051202519285 |
| Lodge Beige-Effect | 6228H4VPA1 | 4051202468194 |
| X-Plane Creme-Effect | 6228H4VPA2 | 4051202468187 |
| Upperside Anthracite Effect | 6228H4VPB9 | 4051202517373 |

TECHNICAL DRAWINGS

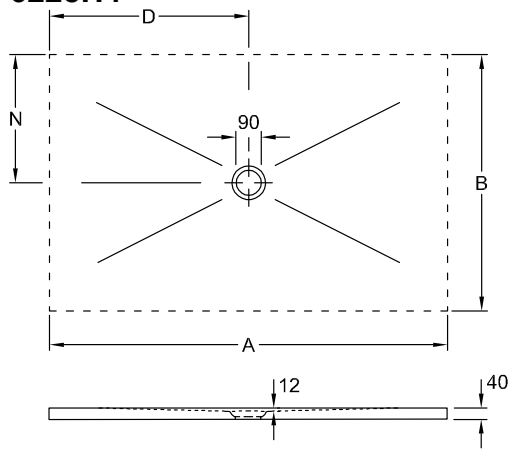
6228H4



| | A | B | D | N |
|---------|------|-----|-----|-----|
| 6232 34 | 1500 | 900 | 750 | 450 |
| 6232 33 | 1500 | 800 | 750 | 400 |
| 6232 32 | 1500 | 750 | 750 | 375 |
| 6232 V4 | 1400 | 900 | 700 | 450 |
| 6232 V3 | 1400 | 800 | 700 | 400 |
| 6232 V2 | 1400 | 750 | 700 | 375 |
| 6232 N4 | 1200 | 900 | 600 | 450 |
| 6231 Q3 | 1200 | 800 | 600 | 400 |
| 6231 Q2 | 1200 | 750 | 600 | 375 |
| 6231 Q1 | 1200 | 700 | 600 | 350 |
| 6230 L3 | 1000 | 800 | 500 | 400 |
| 6230 L2 | 1000 | 750 | 500 | 375 |
| 6230 L1 | 1000 | 700 | 500 | 350 |
| 6229 H2 | 900 | 750 | 450 | 375 |
| 6229 H1 | 900 | 700 | 450 | 350 |
| 6229 C2 | 800 | 750 | 400 | 375 |
| 6228 H4 | 900 | 900 | 450 | 450 |
| 6228 H3 | 900 | 800 | 450 | 400 |
| 6228 C3 | 800 | 800 | 400 | 400 |

TECHNICAL DRAWINGS

6228H4



| | A | B | D | N |
|---------|------|-----|-----|-----|
| 6232 34 | 1500 | 900 | 750 | 450 |
| 6232 33 | 1500 | 800 | 750 | 400 |
| 6232 32 | 1500 | 750 | 750 | 375 |
| 6232 V4 | 1400 | 900 | 700 | 450 |
| 6232 V3 | 1400 | 800 | 700 | 400 |
| 6232 V2 | 1400 | 750 | 700 | 375 |
| 6232 N4 | 1200 | 900 | 600 | 450 |
| 6231 Q3 | 1200 | 800 | 600 | 400 |
| 6231 Q2 | 1200 | 750 | 600 | 375 |
| 6231 Q1 | 1200 | 700 | 600 | 350 |
| 6230 L3 | 1000 | 800 | 500 | 400 |
| 6230 L2 | 1000 | 750 | 500 | 375 |
| 6230 L1 | 1000 | 700 | 500 | 350 |
| 6229 H2 | 900 | 750 | 450 | 375 |
| 6229 H1 | 900 | 700 | 450 | 350 |
| 6229 C2 | 800 | 750 | 400 | 375 |
| 6228 H4 | 900 | 900 | 450 | 450 |
| 6228 H3 | 900 | 800 | 450 | 400 |
| 6228 C3 | 800 | 800 | 400 | 400 |