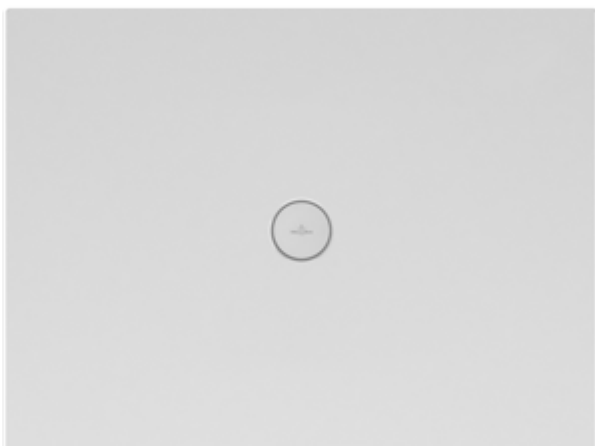


SHOWER TRAYS (CERAMICS) SUBWAY INFINITY

PRODUCT INFORMATION

1 . POSITION



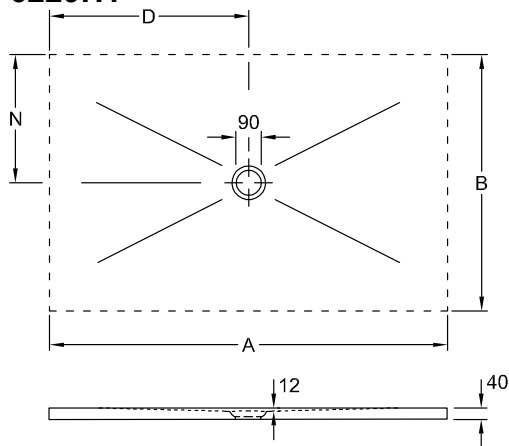
Model	6229H1
Collection	Subway Infinity
PROJECTS	DESIGN
Width	700 mm
Height	40 mm
Length	900 mm
Weight	25,99 kg
description	<p>Ceramic not available in CeramicPlus These shower trays are cut along four sides (unglazed) and can be used for flush installation only. Total price includes the surcharge for cutting!, Orders that we have confirmed for custom-made shower trays cannot be cancelled or altered., The installation height of the shower can be reduced by 30mm if outlet fitting 9226 00 XX is used. Please note: this outlet fitting does not conform to EN 274., *Shower trays marked with an asterisk can only be installed with Mepa installation system art. no. 9223 76 or in a mortar bed. Ceramic available in White Alpin (01) with anti-slip class B (PN18), Taupe (TP), Ardoise (W9) and ViPrint décors with anti-slip class A (PN12). slip-resistant</p>
material	Ceramic
Specification texts	Subway Infinity; Shower tray; Ceramic; Size: 900 x 700 x 40 mm; Rectangle

COLOURS

Townhouse	6229H1VPC0	4051202518158
Abbey Grey	6229H1VPC1	4051202517861
Abbey Blue	6229H1VPC2	4051202512415
Palazzo	6229H1VPC3	4051202512125
Drift Wood	6229H1VPC6	4051202512811
Highland Stone	6229H1VPC7	4051202511487
Nordic Creek	6229H1VPC8	4051202511197
Blue Lagoon	6229H1VPC9	4051202511944
Star Flower	6229H1VPD0	4051202511654
Sinus Black	6229H1VPD1	4051202514488
Sinus White	6229H1VPD2	4051202514198
Eternity	6229H1VPD3	4051202514686
Ardoise Anti-slip	6229H1W9	4051202469504
White Alpin	6229H101	4051202469474
Taupe Anti-slip	6229H1TP	4051202469481
Lodge Beige-Effect	6229H1VPA1	4051202468118
X-Plane Creme-Effect	6229H1VPA2	4051202468101
X-Plane Anthracite-Effect	6229H1VPA3	4051202468095
Lodge Dark Brown	6229H1VPA6	4051202516758
Bernina Beige-Effect	6229H1VPA7	4051202517243
Bernina Anthracite Matt	6229H1VPA8	4051202516956
Upper Side Greige-Effect	6229H1VPB6	4051202519315
Upperside Anthracite Effect	6229H1VPB9	4051202517403

TECHNICAL DRAWINGS

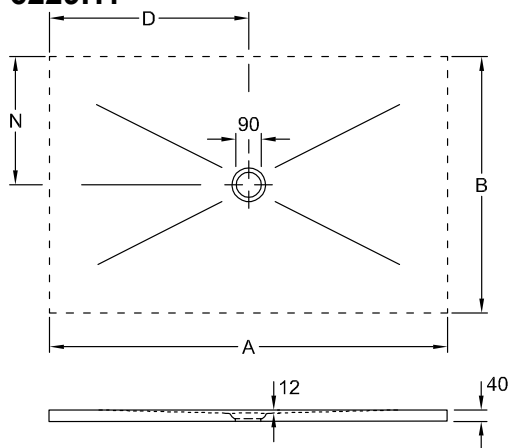
6229H1



	A	B	D	N
6232 34	1500	900	750	450
6232 33	1500	800	750	400
6232 32	1500	750	750	375
6232 V4	1400	900	700	450
6232 V3	1400	800	700	400
6232 V2	1400	750	700	375
6232 N4	1200	900	600	450
6231 Q3	1200	800	600	400
6231 Q2	1200	750	600	375
6231 Q1	1200	700	600	350
6230 L3	1000	800	500	400
6230 L2	1000	750	500	375
6230 L1	1000	700	500	350
6229 H2	900	750	450	375
6229 H1	900	700	450	350
6229 C2	800	750	400	375
6228 H4	900	900	450	450
6228 H3	900	800	450	400
6228 C3	800	800	400	400

TECHNICAL DRAWINGS

6229H1



	A	B	D	N
6232 34	1500	900	750	450
6232 33	1500	800	750	400
6232 32	1500	750	750	375
6232 V4	1400	900	700	450
6232 V3	1400	800	700	400
6232 V2	1400	750	700	375
6232 N4	1200	900	600	450
6231 Q3	1200	800	600	400
6231 Q2	1200	750	600	375
6231 Q1	1200	700	600	350
6230 L3	1000	800	500	400
6230 L2	1000	750	500	375
6230 L1	1000	700	500	350
6229 H2	900	750	450	375
6229 H1	900	700	450	350
6229 C2	800	750	400	375
6228 H4	900	900	450	450
6228 H3	900	800	450	400
6228 C3	800	800	400	400