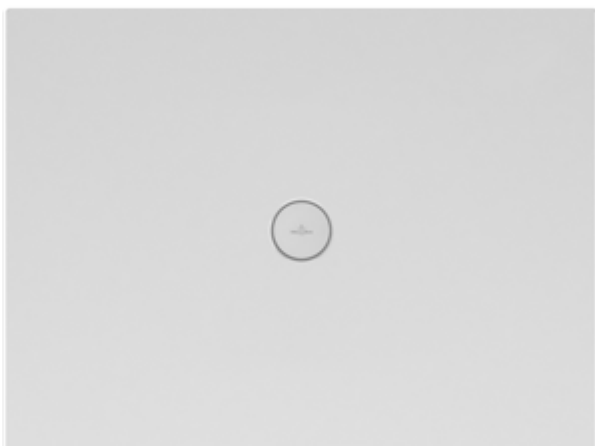


SHOWER TRAYS (CERAMICS) SUBWAY INFINITY

PRODUCT INFORMATION

1 . POSITION



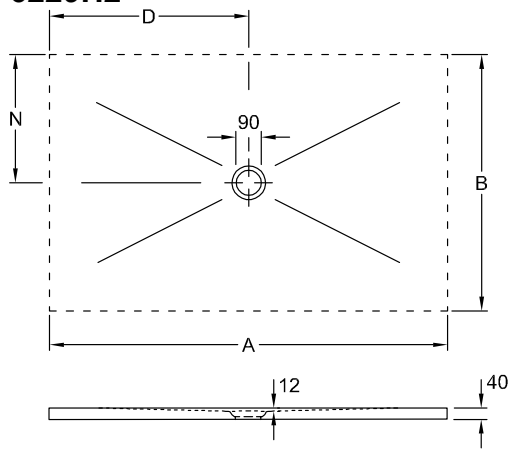
Model	6229H2
Collection	Subway Infinity
PROJECTS	DESIGN
Width	750 mm
Height	40 mm
Length	900 mm
Weight	27,84 kg
description	<p>Ceramic not available in CeramicPlus These shower trays are cut along four sides (unglazed) and can be used for flush installation only. Total price includes the surcharge for cutting!, Orders that we have confirmed for custom-made shower trays cannot be cancelled or altered., The installation height of the shower can be reduced by 30mm if outlet fitting 9226 00 XX is used. Please note: this outlet fitting does not conform to EN 274., *Shower trays marked with an asterisk can only be installed with Mepa installation system art. no. 9223 76 or in a mortar bed. Ceramic available in White Alpin (01) with anti-slip class B (PN18), Taupe (TP), Ardoise (W9) and ViPrint décors with anti-slip class A (PN12). slip-resistant</p>
material	Ceramic
Specification texts	Subway Infinity; Shower tray; Ceramic; Size: 900 x 750 x 40 mm; Rectangle

COLOURS

Abbey Grey	6229H2VPC1	4051202517878
Abbey Blue	6229H2VPC2	4051202512422
Palazzo	6229H2VPC3	4051202512132
Drift Wood	6229H2VPC6	4051202512828
Eternity	6229H2VPD3	4051202514952
Ardoise Anti-slip	6229H2W9	4051202469542
Highland Stone	6229H2VPC7	4051202511494
Nordic Creek	6229H2VPC8	4051202511203
Blue Lagoon	6229H2VPC9	4051202511951
Star Flower	6229H2VPD0	4051202511661
Sinus Black	6229H2VPD1	4051202514495
Sinus White	6229H2VPD2	4051202514204
Taupe Anti-slip	6229H2TP	4051202469528
Lodge Beige-Effect	6229H2VPA1	4051202468071
X-Plane Creme-Effect	6229H2VPA2	4051202468064
X-Plane Anthracite-Effect	6229H2VPA3	4051202468514
Lodge Dark Brown	6229H2VPA6	4051202517021
Bernina Beige-Effect	6229H2VPA7	4051202517250
Bernina Anthracite Matt	6229H2VPA8	4051202516963
Upper Side Greige-Effect	6229H2VPB6	4051202519322
Upperside Anthracite Effect	6229H2VPB9	4051202517410
Townhouse	6229H2VPC0	4051202518165
White Alpin	6229H201	4051202469511

TECHNICAL DRAWINGS

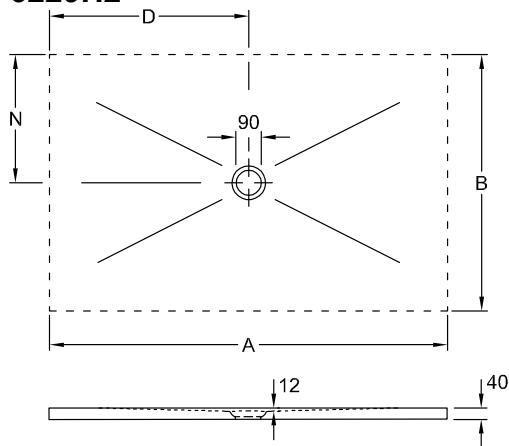
6229H2



	A	B	D	N
6232 34	1500	900	750	450
6232 33	1500	800	750	400
6232 32	1500	750	750	375
6232 V4	1400	900	700	450
6232 V3	1400	800	700	400
6232 V2	1400	750	700	375
6232 N4	1200	900	600	450
6231 Q3	1200	800	600	400
6231 Q2	1200	750	600	375
6231 Q1	1200	700	600	350
6230 L3	1000	800	500	400
6230 L2	1000	750	500	375
6230 L1	1000	700	500	350
6229 H2	900	750	450	375
6229 H1	900	700	450	350
6229 C2	800	750	400	375
6228 H4	900	900	450	450
6228 H3	900	800	450	400
6228 C3	800	800	400	400

TECHNICAL DRAWINGS

6229H2



	A	B	D	N
6232 34	1500	900	750	450
6232 33	1500	800	750	400
6232 32	1500	750	750	375
6232 V4	1400	900	700	450
6232 V3	1400	800	700	400
6232 V2	1400	750	700	375
6232 N4	1200	900	600	450
6231 Q3	1200	800	600	400
6231 Q2	1200	750	600	375
6231 Q1	1200	700	600	350
6230 L3	1000	800	500	400
6230 L2	1000	750	500	375
6230 L1	1000	700	500	350
6229 H2	900	750	450	375
6229 H1	900	700	450	350
6229 C2	800	750	400	375
6228 H4	900	900	450	450
6228 H3	900	800	450	400
6228 C3	800	800	400	400