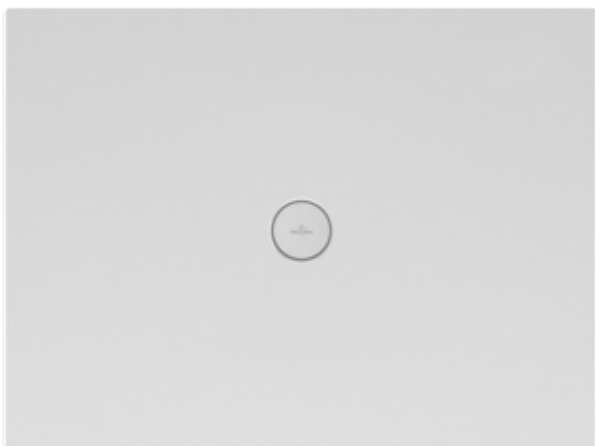


SHOWER TRAYS (CERAMICS) SUBWAY INFINITY

PRODUCT INFORMATION

1 . POSITION



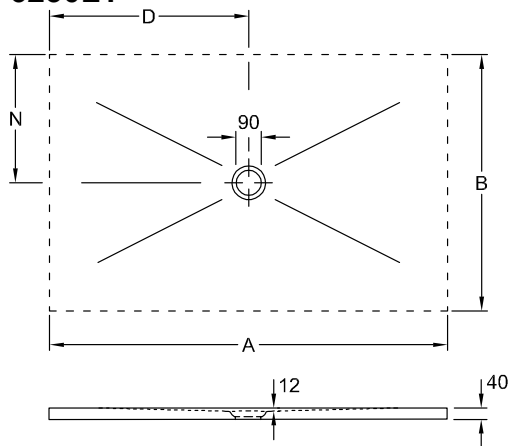
Model	6230L1
Collection	Subway Infinity
PROJECTS	DESIGN
Width	700 mm
Height	40 mm
Length	1000 mm
Weight	29,17 kg
description	<p>Ceramic not available in CeramicPlus These shower trays are cut along four sides (unglazed) and can be used for flush installation only. Total price includes the surcharge for cutting!, Orders that we have confirmed for custom-made shower trays cannot be cancelled or altered., The installation height of the shower can be reduced by 30mm if outlet fitting 9226 00 XX is used. Please note: this outlet fitting does not conform to EN 274., *Shower trays marked with an asterisk can only be installed with Mepa installation system art. no. 9223 76 or in a mortar bed. Ceramic available in White Alpin (01) with anti-slip class B (PN18), Taupe (TP), Ardoise (W9) and ViPrint décors with anti-slip class A (PN12). slip-resistant</p>
material	Ceramic
Specification texts	Subway Infinity; Shower tray; Ceramic; Size: 1000 x 700 x 40 mm; Rectangle

COLOURS

White Alpin	6230L101	4051202389437
Taupe Anti-slip	6230L1TP	4051202389444
X-Plane Creme-Effect	6230L1VPA2	4051202468484
X-Plane Anthracite-Effect	6230L1VPA3	4051202468477
Lodge Dark Brown	6230L1VPA6	4051202517045
Bernina Beige-Effect	6230L1VPA7	4051202517014
Bernina Anthracite Matt	6230L1VPA8	4051202516987
Upper Side Greige-Effect	6230L1VPB6	4051202519087
Upperside Anthracite Effect	6230L1VPB9	4051202517434
Townhouse	6230L1VPC0	4051202518189
Abbey Grey	6230L1VPC1	4051202517892
Abbey Blue	6230L1VPC2	4051202512446
Palazzo	6230L1VPC3	4051202512156
Drift Wood	6230L1VPC6	4051202512842
Highland Stone	6230L1VPC7	4051202511517
Lodge Beige-Effect	6230L1VPA1	4051202468491
Nordic Creek	6230L1VPC8	4051202511227
Blue Lagoon	6230L1VPC9	4051202511975
Star Flower	6230L1VPD0	4051202511685
Sinus Black	6230L1VPD1	4051202514518
Sinus White	6230L1VPD2	4051202514228
Eternity	6230L1VPD3	4051202514976
Ardoise Anti-slip	6230L1W9	4051202389468

TECHNICAL DRAWINGS

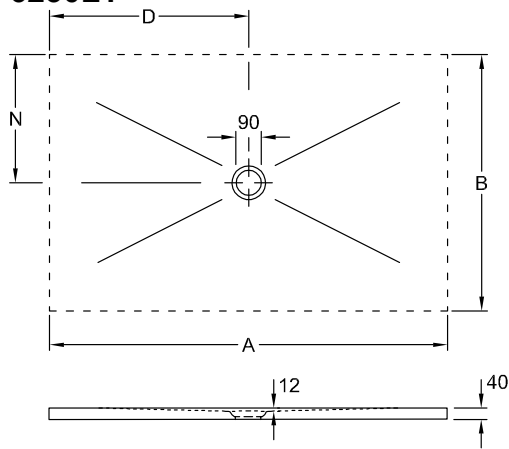
6230L1



	A	B	D	N
6232 34	1500	900	750	450
6232 33	1500	800	750	400
6232 32	1500	750	750	375
6232 V4	1400	900	700	450
6232 V3	1400	800	700	400
6232 V2	1400	750	700	375
6232 N4	1200	900	600	450
6231 Q3	1200	800	600	400
6231 Q2	1200	750	600	375
6231 Q1	1200	700	600	350
6230 L3	1000	800	500	400
6230 L2	1000	750	500	375
6230 L1	1000	700	500	350
6229 H2	900	750	450	375
6229 H1	900	700	450	350
6229 C2	800	750	400	375
6228 H4	900	900	450	450
6228 H3	900	800	450	400
6228 C3	800	800	400	400

TECHNICAL DRAWINGS

6230L1



	A	B	D	N
6232 34	1500	900	750	450
6232 33	1500	800	750	400
6232 32	1500	750	750	375
6232 V4	1400	900	700	450
6232 V3	1400	800	700	400
6232 V2	1400	750	700	375
6232 N4	1200	900	600	450
6231 Q3	1200	800	600	400
6231 Q2	1200	750	600	375
6231 Q1	1200	700	600	350
6230 L3	1000	800	500	400
6230 L2	1000	750	500	375
6230 L1	1000	700	500	350
6229 H2	900	750	450	375
6229 H1	900	700	450	350
6229 C2	800	750	400	375
6228 H4	900	900	450	450
6228 H3	900	800	450	400
6228 C3	800	800	400	400