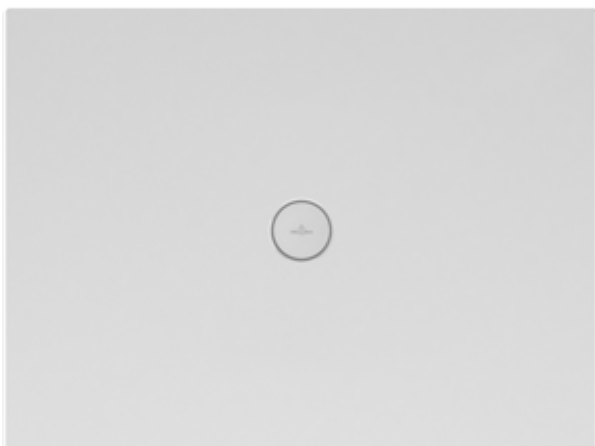


SHOWER TRAYS (CERAMICS) SUBWAY INFINITY

PRODUCT INFORMATION

1 . POSITION



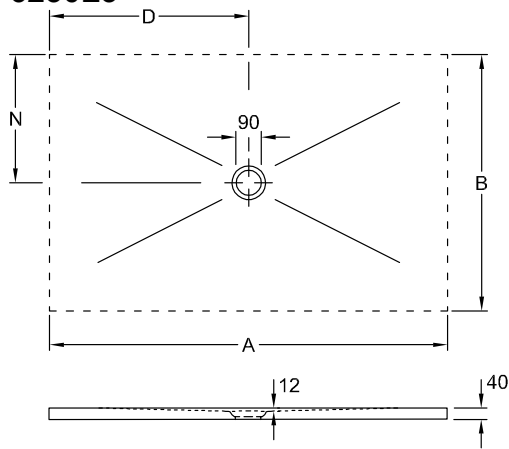
Model	6230L3
Collection	Subway Infinity
PROJECTS	DESIGN
Width	800 mm
Height	40 mm
Length	1000 mm
Weight	33,33 kg
description	<p>Ceramic not available in CeramicPlus These shower trays are cut along four sides (unglazed) and can be used for flush installation only. Total price includes the surcharge for cutting!, Orders that we have confirmed for custom-made shower trays cannot be cancelled or altered., The installation height of the shower can be reduced by 30mm if outlet fitting 9226 00 XX is used. Please note: this outlet fitting does not conform to EN 274., *Shower trays marked with an asterisk can only be installed with Mepa installation system art. no. 9223 76 or in a mortar bed. Ceramic available in White Alpin (01) with anti-slip class B (PN18), Taupe (TP), Ardoise (W9) and ViPrint décors with anti-slip class A (PN12). slip-resistant</p>
material	Ceramic
Specification texts	Subway Infinity; Shower tray; Ceramic; Size: 1000 x 800 x 40 mm; Rectangle

COLOURS

White Alpin	6230L301	4051202469689
Taupe Anti-slip	6230L3TP	4051202469696
Lodge Beige-Effect	6230L3VPA1	4051202468415
X-Plane Creme-Effect	6230L3VPA2	4051202468408
X-Plane Anthracite-Effect	6230L3VPA3	4051202468392
Lodge Dark Brown	6230L3VPA6	4051202517069
Bernina Beige-Effect	6230L3VPA7	4051202516772
Bernina Anthracite Matt	6230L3VPA8	4051202517007
Upper Side Greige-Effect	6230L3VPB6	4051202518844
Drift Wood	6230L3VPC6	4051202512866
Highland Stone	6230L3VPC7	4051202511531
Nordic Creek	6230L3VPC8	4051202511241
Blue Lagoon	6230L3VPC9	4051202511999
Star Flower	6230L3VPD0	4051202511708
Sinus Black	6230L3VPD1	4051202514532
Sinus White	6230L3VPD2	4051202514242
Eternity	6230L3VPD3	4051202514990
Ardoise Anti-slip	6230L3W9	4051202469719
Abbey Grey	6230L3VPC1	4051202517915
Abbey Blue	6230L3VPC2	4051202512460
Palazzo	6230L3VPC3	4051202512170
Upperside Anthracite Effect	6230L3VPB9	4051202517458
Townhouse	6230L3VPC0	4051202518202

TECHNICAL DRAWINGS

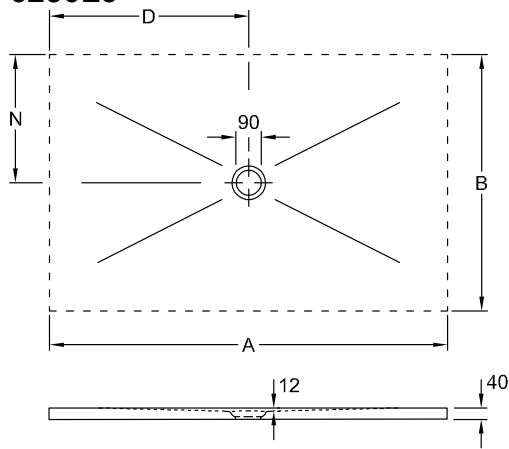
6230L3



	A	B	D	N
6232 34	1500	900	750	450
6232 33	1500	800	750	400
6232 32	1500	750	750	375
6232 V4	1400	900	700	450
6232 V3	1400	800	700	400
6232 V2	1400	750	700	375
6232 N4	1200	900	600	450
6231 Q3	1200	800	600	400
6231 Q2	1200	750	600	375
6231 Q1	1200	700	600	350
6230 L3	1000	800	500	400
6230 L2	1000	750	500	375
6230 L1	1000	700	500	350
6229 H2	900	750	450	375
6229 H1	900	700	450	350
6229 C2	800	750	400	375
6228 H4	900	900	450	450
6228 H3	900	800	450	400
6228 C3	800	800	400	400

TECHNICAL DRAWINGS

6230L3



	A	B	D	N
6232 34	1500	900	750	450
6232 33	1500	800	750	400
6232 32	1500	750	750	375
6232 V4	1400	900	700	450
6232 V3	1400	800	700	400
6232 V2	1400	750	700	375
6232 N4	1200	900	600	450
6231 Q3	1200	800	600	400
6231 Q2	1200	750	600	375
6231 Q1	1200	700	600	350
6230 L3	1000	800	500	400
6230 L2	1000	750	500	375
6230 L1	1000	700	500	350
6229 H2	900	750	450	375
6229 H1	900	700	450	350
6229 C2	800	750	400	375
6228 H4	900	900	450	450
6228 H3	900	800	450	400
6228 C3	800	800	400	400