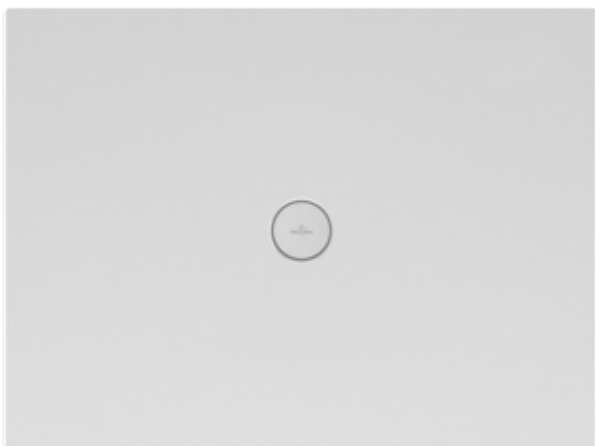


SHOWER TRAYS (CERAMICS) SUBWAY INFINITY

PRODUCT INFORMATION

1 . POSITION



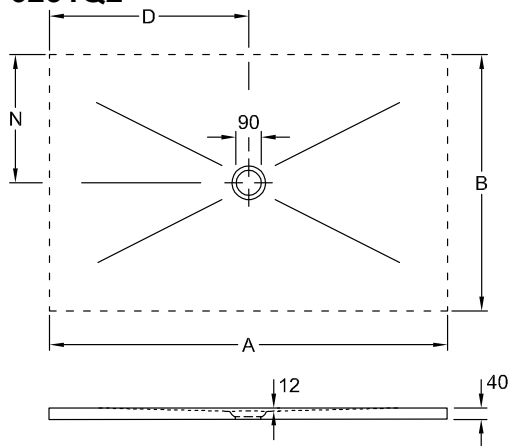
Model	6231Q2
Collection	Subway Infinity
PROJECTS	DESIGN
Width	750 mm
Height	40 mm
Length	1200 mm
Weight	37,86 kg
description	<p>Ceramic not available in CeramicPlus These shower trays are cut along four sides (unglazed) and can be used for flush installation only. Total price includes the surcharge for cutting!, Orders that we have confirmed for custom-made shower trays cannot be cancelled or altered., The installation height of the shower can be reduced by 30mm if outlet fitting 9226 00 XX is used. Please note: this outlet fitting does not conform to EN 274., *Shower trays marked with an asterisk can only be installed with Mepa installation system art. no. 9223 76 or in a mortar bed. Ceramic available in White Alpin (01) with anti-slip class B (PN18), Taupe (TP), Ardoise (W9) and ViPrint décors with anti-slip class A (PN12). slip-resistant</p>
material	Ceramic
Specification texts	Subway Infinity; Shower tray; Ceramic; Size: 1200 x 750 x 40 mm; Rectangle

COLOURS

X-Plane Creme-Effect	6231Q2VPA2	4051202468323
X-Plane Anthracite-Effect	6231Q2VPA3	4051202468316
Lodge Dark Brown	6231Q2VPA6	4051202517090
Bernina Beige-Effect	6231Q2VPA7	4051202516802
Bernina Anthracite Matt	6231Q2VPA8	4051202515478
Upper Side Greige-Effect	6231Q2VPB6	4051202518875
Upperside Anthracite Effect	6231Q2VPB9	4051202517489
Townhouse	6231Q2VPC0	4051202518233
Abbey Grey	6231Q2VPC1	4051202517946
Abbey Blue	6231Q2VPC2	4051202512491
Palazzo	6231Q2VPC3	4051202512200
Drift Wood	6231Q2VPC6	4051202511333
Highland Stone	6231Q2VPC7	4051202511562
Nordic Creek	6231Q2VPC8	4051202511272
Blue Lagoon	6231Q2VPC9	4051202512026
Star Flower	6231Q2VPD0	4051202511739
White Alpin	6231Q201	4051202469764
Taupe Anti-slip	6231Q2TP	4051202469771
Lodge Beige-Effect	6231Q2VPA1	4051202468330
Sinus White	6231Q2VPD2	4051202514273
Eternity	6231Q2VPD3	4051202515027
Ardoise Anti-slip	6231Q2W9	4051202469795
Sinus Black	6231Q2VPD1	4051202514563

TECHNICAL DRAWINGS

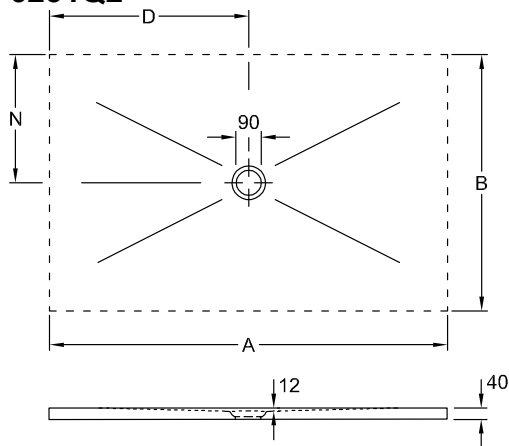
6231Q2



	A	B	D	N
6232 34	1500	900	750	450
6232 33	1500	800	750	400
6232 32	1500	750	750	375
6232 V4	1400	900	700	450
6232 V3	1400	800	700	400
6232 V2	1400	750	700	375
6232 N4	1200	900	600	450
6231 Q3	1200	800	600	400
6231 Q2	1200	750	600	375
6231 Q1	1200	700	600	350
6230 L3	1000	800	500	400
6230 L2	1000	750	500	375
6230 L1	1000	700	500	350
6229 H2	900	750	450	375
6229 H1	900	700	450	350
6229 C2	800	750	400	375
6228 H4	900	900	450	450
6228 H3	900	800	450	400
6228 C3	800	800	400	400

TECHNICAL DRAWINGS

6231Q2



	A	B	D	N
6232 34	1500	900	750	450
6232 33	1500	800	750	400
6232 32	1500	750	750	375
6232 V4	1400	900	700	450
6232 V3	1400	800	700	400
6232 V2	1400	750	700	375
6232 N4	1200	900	600	450
6231 Q3	1200	800	600	400
6231 Q2	1200	750	600	375
6231 Q1	1200	700	600	350
6230 L3	1000	800	500	400
6230 L2	1000	750	500	375
6230 L1	1000	700	500	350
6229 H2	900	750	450	375
6229 H1	900	700	450	350
6229 C2	800	750	400	375
6228 H4	900	900	450	450
6228 H3	900	800	450	400
6228 C3	800	800	400	400