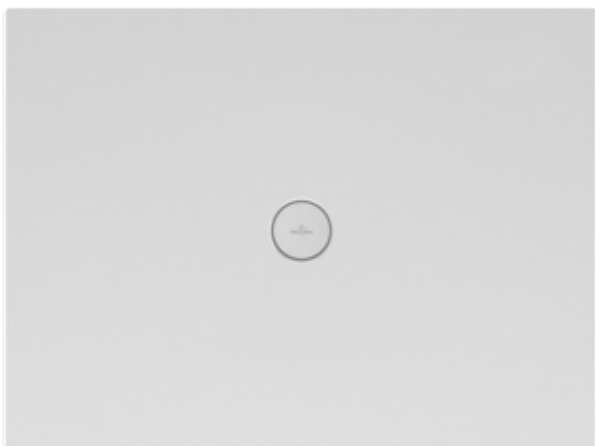


SHOWER TRAYS (CERAMICS) SUBWAY INFINITY

PRODUCT INFORMATION

1 . POSITION



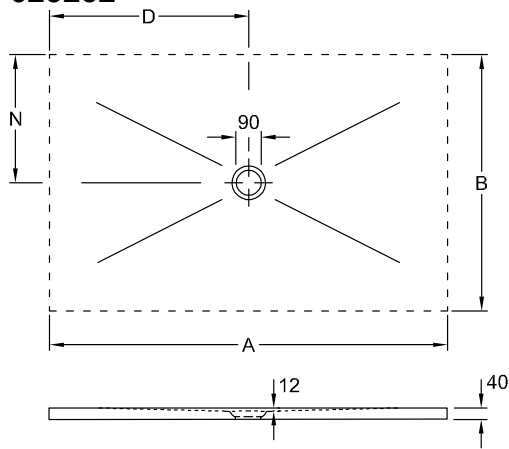
Model	623232
Collection	Subway Infinity
PROJECTS	DESIGN
Width	750 mm
Height	40 mm
Length	1500 mm
Weight	47,81 kg
description	<p>Ceramic not available in CeramicPlus These shower trays are cut along four sides (unglazed) and can be used for flush installation only. Total price includes the surcharge for cutting!, Orders that we have confirmed for custom-made shower trays cannot be cancelled or altered., The installation height of the shower can be reduced by 30mm if outlet fitting 9226 00 XX is used. Please note: this outlet fitting does not conform to EN 274., *Shower trays marked with an asterisk can only be installed with Mepa installation system art. no. 9223 76 or in a mortar bed. Ceramic available in White Alpin (01) with anti-slip class B (PN18), Taupe (TP), Ardoise (W9) and ViPrint décors with anti-slip class A (PN12). slip-resistant</p>
material	Ceramic
Specification texts	Subway Infinity; Shower tray; Ceramic; Size: 1500 x 750 x 40 mm; Rectangle

COLOURS

Bernina Anthracite Matt	623232VPA8	4051202515508
Upper Side Greige-Effect	623232VPB6	4051202518905
Upperside Anthracite Effect	623232VPB9	4051202517519
Townhouse	623232VPC0	4051202518264
Abbey Grey	623232VPC1	4051202517977
Abbey Blue	623232VPC2	4051202512521
Palazzo	623232VPC3	4051202512231
Drift Wood	623232VPC6	4051202511364
Highland Stone	623232VPC7	4051202511166
Nordic Creek	623232VPC8	4051202511302
Blue Lagoon	623232VPC9	4051202512057
Star Flower	623232VPD0	4051202511760
Sinus Black	623232VPD1	4051202514594
White Alpin	62323201	4051202469900
Taupe Anti-slip	623232TP	4051202469917
Lodge Beige-Effect	623232VPA1	4051202467791
X-Plane Creme-Effect	623232VPA2	4051202467784
X-Plane Anthracite-Effect	623232VPA3	4051202467777
Lodge Dark Brown	623232VPA6	4051202517120
Bernina Beige-Effect	623232VPA7	4051202516833
Sinus White	623232VPD2	4051202514303
Eternity	623232VPD3	4051202515058
Ardoise Anti-slip	623232W9	4051202469931

TECHNICAL DRAWINGS

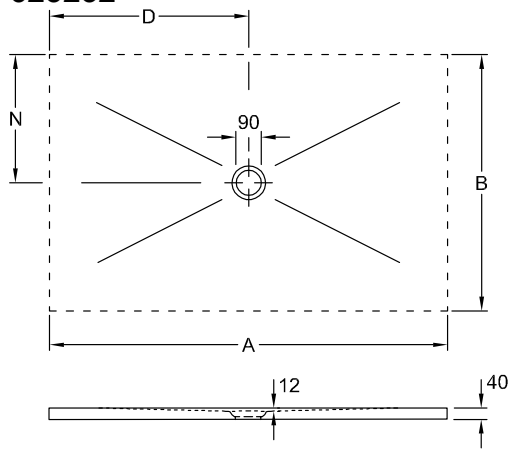
623232



	A	B	D	N
6232 34	1500	900	750	450
6232 33	1500	800	750	400
6232 32	1500	750	750	375
6232 V4	1400	900	700	450
6232 V3	1400	800	700	400
6232 V2	1400	750	700	375
6232 N4	1200	900	600	450
6231 Q3	1200	800	600	400
6231 Q2	1200	750	600	375
6231 Q1	1200	700	600	350
6230 L3	1000	800	500	400
6230 L2	1000	750	500	375
6230 L1	1000	700	500	350
6229 H2	900	750	450	375
6229 H1	900	700	450	350
6229 C2	800	750	400	375
6228 H4	900	900	450	450
6228 H3	900	800	450	400
6228 C3	800	800	400	400

TECHNICAL DRAWINGS

623232



	A	B	D	N
6232 34	1500	900	750	450
6232 33	1500	800	750	400
6232 32	1500	750	750	375
6232 V4	1400	900	700	450
6232 V3	1400	800	700	400
6232 V2	1400	750	700	375
6232 N4	1200	900	600	450
6231 Q3	1200	800	600	400
6231 Q2	1200	750	600	375
6231 Q1	1200	700	600	350
6230 L3	1000	800	500	400
6230 L2	1000	750	500	375
6230 L1	1000	700	500	350
6229 H2	900	750	450	375
6229 H1	900	700	450	350
6229 C2	800	750	400	375
6228 H4	900	900	450	450
6228 H3	900	800	450	400
6228 C3	800	800	400	400