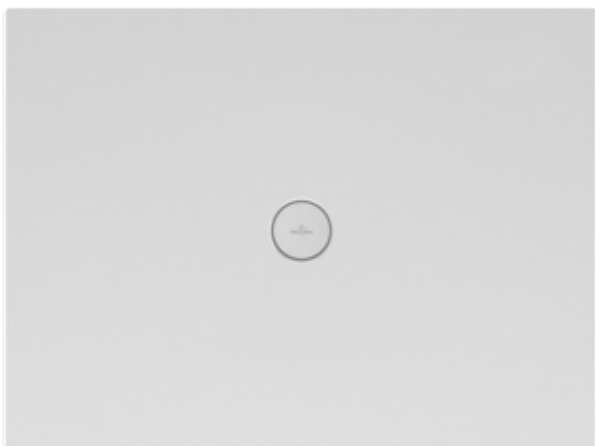


SHOWER TRAYS (CERAMICS) SUBWAY INFINITY

PRODUCT INFORMATION

1 . POSITION



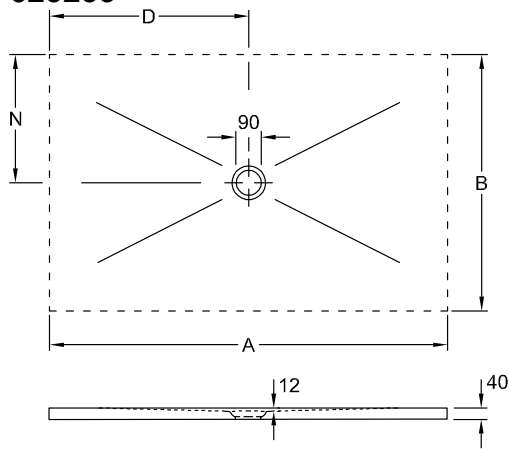
Model	623233
Collection	Subway Infinity
PROJECTS	DESIGN
Width	800 mm
Height	40 mm
Length	1500 mm
Weight	51 kg
description	<p>Ceramic not available in CeramicPlus These shower trays are cut along four sides (unglazed) and can be used for flush installation only. Total price includes the surcharge for cutting!, Orders that we have confirmed for custom-made shower trays cannot be cancelled or altered., The installation height of the shower can be reduced by 30mm if outlet fitting 9226 00 XX is used. Please note: this outlet fitting does not conform to EN 274., *Shower trays marked with an asterisk can only be installed with Mepa installation system art. no. 9223 76 or in a mortar bed. Ceramic available in White Alpin (01) with anti-slip class B (PN18), Taupe (TP), Ardoise (W9) and ViPrint décors with anti-slip class A (PN12). slip-resistant</p>
material	Ceramic
Specification texts	Subway Infinity; Shower tray; Ceramic; Size: 1500 x 800 x 40 mm; Rectangle

COLOURS

White Alpin	62323301	4051202469948
Taupe Anti-slip	623233TP	4051202469955
Lodge Beige-Effect	623233VPA1	4051202467753
X-Plane Creme-Effect	623233VPA2	4051202467746
X-Plane Anthracite-Effect	623233VPA3	4051202467739
Lodge Dark Brown	623233VPA6	4051202517137
Bernina Beige-Effect	623233VPA7	4051202516840
Bernina Anthracite Matt	623233VPA8	4051202515515
Upper Side Greige-Effect	623233VPB6	4051202518912
Upperside Anthracite Effect	623233VPB9	4051202517786
Townhouse	623233VPC0	4051202518271
Abbey Grey	623233VPC1	4051202517984
Abbey Blue	623233VPC2	4051202512538
Palazzo	623233VPC3	4051202512248
Drift Wood	623233VPC6	4051202511371
Highland Stone	623233VPC7	4051202511159
Nordic Creek	623233VPC8	4051202511579
Blue Lagoon	623233VPC9	4051202512064
Star Flower	623233VPD0	4051202511777
Sinus Black	623233VPD1	4051202514600
Sinus White	623233VPD2	4051202514310
Eternity	623233VPD3	4051202515065
Ardoise Anti-slip	623233W9	4051202469979

TECHNICAL DRAWINGS

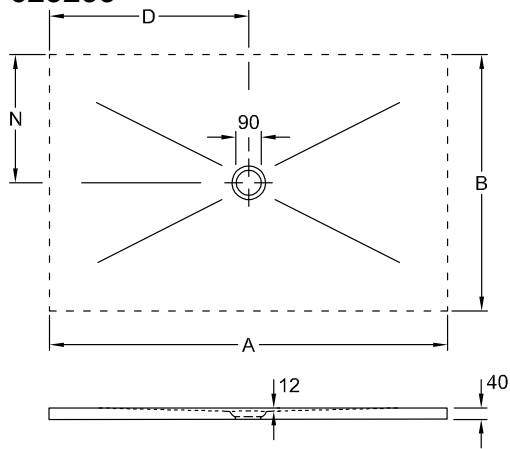
623233



	A	B	D	N
6232 34	1500	900	750	450
6232 33	1500	800	750	400
6232 32	1500	750	750	375
6232 V4	1400	900	700	450
6232 V3	1400	800	700	400
6232 V2	1400	750	700	375
6232 N4	1200	900	600	450
6231 Q3	1200	800	600	400
6231 Q2	1200	750	600	375
6231 Q1	1200	700	600	350
6230 L3	1000	800	500	400
6230 L2	1000	750	500	375
6230 L1	1000	700	500	350
6229 H2	900	750	450	375
6229 H1	900	700	450	350
6229 C2	800	750	400	375
6228 H4	900	900	450	450
6228 H3	900	800	450	400
6228 C3	800	800	400	400

TECHNICAL DRAWINGS

623233



	A	B	D	N
6232 34	1500	900	750	450
6232 33	1500	800	750	400
6232 32	1500	750	750	375
6232 V4	1400	900	700	450
6232 V3	1400	800	700	400
6232 V2	1400	750	700	375
6232 N4	1200	900	600	450
6231 Q3	1200	800	600	400
6231 Q2	1200	750	600	375
6231 Q1	1200	700	600	350
6230 L3	1000	800	500	400
6230 L2	1000	750	500	375
6230 L1	1000	700	500	350
6229 H2	900	750	450	375
6229 H1	900	700	450	350
6229 C2	800	750	400	375
6228 H4	900	900	450	450
6228 H3	900	800	450	400
6228 C3	800	800	400	400