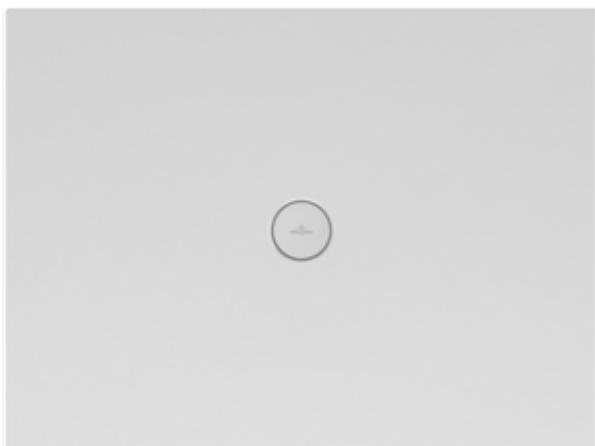


SHOWER TRAYS (CERAMICS) SUBWAY INFINITY

PRODUCT INFORMATION

1 . POSITION



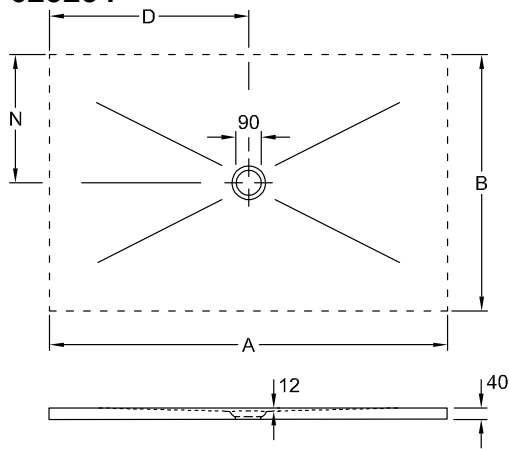
Model	623234
Collection	Subway Infinity
PROJECTS	DESIGN
Width	900 mm
Height	40 mm
Length	1500 mm
Weight	57,38 kg
description	<p>Ceramic not available in CeramicPlus These shower trays are cut along four sides (unglazed) and can be used for flush installation only. Total price includes the surcharge for cutting!, Orders that we have confirmed for custom-made shower trays cannot be cancelled or altered., The installation height of the shower can be reduced by 30mm if outlet fitting 9226 00 XX is used. Please note: this outlet fitting does not conform to EN 274., *Shower trays marked with an asterisk can only be installed with Mepa installation system art. no. 9223 76 or in a mortar bed. Ceramic available in White Alpin (01) with anti-slip class B (PN18), Taupe (TP), Ardoise (W9) and ViPrint décors with anti-slip class A (PN12). slip-resistant</p>
material	Ceramic
Specification texts	Subway Infinity; Shower tray; Ceramic; Size: 1500 x 900 x 40 mm; Rectangle

COLOURS

Upper Side Greige-Effect	623234VPB6	4051202518929
Upperside Anthracite Effect	623234VPB9	4051202518059
Townhouse	623234VPC0	4051202518288
Abbey Grey	623234VPC1	4051202517991
Abbey Blue	623234VPC2	4051202512545
Palazzo	623234VPC3	4051202512255
Drift Wood	623234VPC6	4051202511388
Highland Stone	623234VPC7	4051202511142
Nordic Creek	623234VPC8	4051202511845
Blue Lagoon	623234VPC9	4051202512071
Star Flower	623234VPD0	4051202511784
Sinus Black	623234VPD1	4051202514617
Sinus White	623234VPD2	4051202514327
Eternity	623234VPD3	4051202515072
Ardoise Anti-slip	623234W9	4051202470012
White Alpin	62323401	4051202469986
Taupe Anti-slip	623234TP	4051202469993
Lodge Beige-Effect	623234VPA1	4051202467715
X-Plane Creme-Effect	623234VPA2	4051202467708
X-Plane Anthracite-Effect	623234VPA3	4051202467692
Lodge Dark Brown	623234VPA6	4051202517144
Bernina Beige-Effect	623234VPA7	4051202516857
Bernina Anthracite Matt	623234VPA8	4051202515522

TECHNICAL DRAWINGS

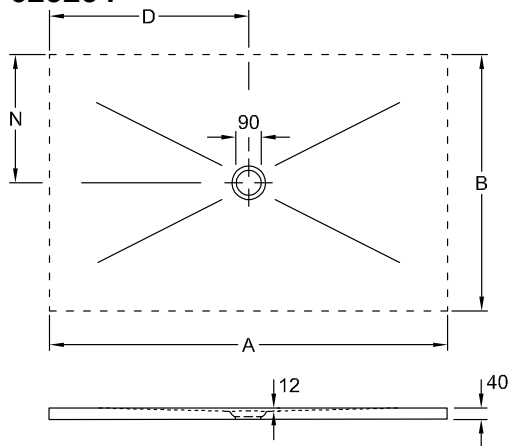
623234



	A	B	D	N
6232 34	1500	900	750	450
6232 33	1500	800	750	400
6232 32	1500	750	750	375
6232 V4	1400	900	700	450
6232 V3	1400	800	700	400
6232 V2	1400	750	700	375
6232 N4	1200	900	600	450
6231 Q3	1200	800	600	400
6231 Q2	1200	750	600	375
6231 Q1	1200	700	600	350
6230 L3	1000	800	500	400
6230 L2	1000	750	500	375
6230 L1	1000	700	500	350
6229 H2	900	750	450	375
6229 H1	900	700	450	350
6229 C2	800	750	400	375
6228 H4	900	900	450	450
6228 H3	900	800	450	400
6228 C3	800	800	400	400

TECHNICAL DRAWINGS

623234



	A	B	D	N
6232 34	1500	900	750	450
6232 33	1500	800	750	400
6232 32	1500	750	750	375
6232 V4	1400	900	700	450
6232 V3	1400	800	700	400
6232 V2	1400	750	700	375
6232 N4	1200	900	600	450
6231 Q3	1200	800	600	400
6231 Q2	1200	750	600	375
6231 Q1	1200	700	600	350
6230 L3	1000	800	500	400
6230 L2	1000	750	500	375
6230 L1	1000	700	500	350
6229 H2	900	750	450	375
6229 H1	900	700	450	350
6229 C2	800	750	400	375
6228 H4	900	900	450	450
6228 H3	900	800	450	400
6228 C3	800	800	400	400