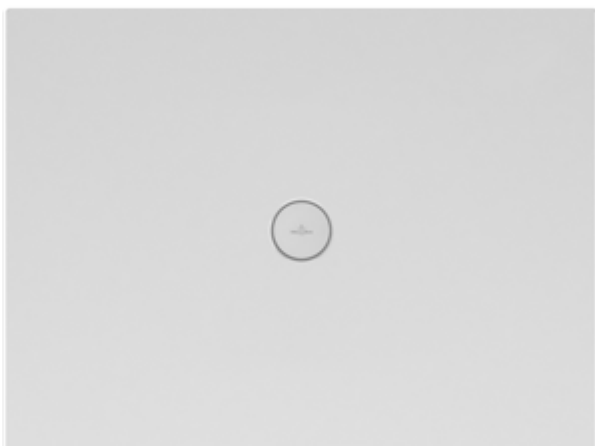


SHOWER TRAYS (CERAMICS) SUBWAY INFINITY

PRODUCT INFORMATION

1 . POSITION



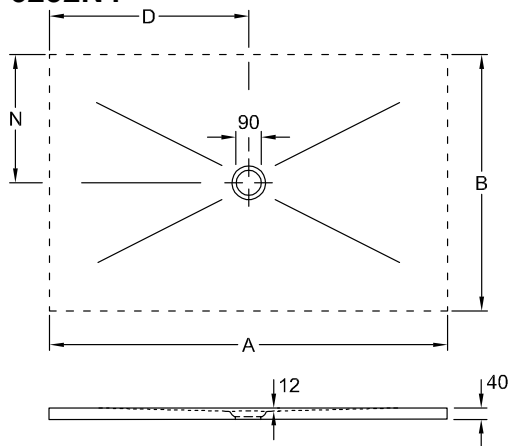
Model	6232N4
Collection	Subway Infinity
PROJECTS	DESIGN
Width	900 mm
Height	40 mm
Length	1200 mm
Weight	45 kg
description	<p>Ceramic not available in CeramicPlus These shower trays are cut along four sides (unglazed) and can be used for flush installation only. Total price includes the surcharge for cutting!, Orders that we have confirmed for custom-made shower trays cannot be cancelled or altered., The installation height of the shower can be reduced by 30mm if outlet fitting 9226 00 XX is used. Please note: this outlet fitting does not conform to EN 274., *Shower trays marked with an asterisk can only be installed with Mepa installation system art. no. 9223 76 or in a mortar bed. Ceramic available in White Alpin (01) with anti-slip class B (PN18), Taupe (TP), Ardoise (W9) and ViPrint décors with anti-slip class A (PN12). slip-resistant</p>
material	Ceramic
Specification texts	Subway Infinity; Shower tray; Ceramic; Size: 1200 x 900 x 40 mm; Rectangle

COLOURS

White Alpin	6232N401	4051202542412
Taupe Anti-slip	6232N4TP	4051202542429
Lodge Beige-Effect	6232N4VPA1	4051202541439
X-Plane Creme-Effect	6232N4VPA2	4051202541422
X-Plane Anthracite-Effect	6232N4VPA3	4051202541415
Lodge Dark Brown	6232N4VPA6	4051202541385
Bernina Beige-Effect	6232N4VPA7	4051202541378
Bernina Anthracite Matt	6232N4VPA8	4051202541361
Upperside Anthracite Effect	6232N4VPB9	4051202541255
Townhouse	6232N4VPC0	4051202541248
Abbey Grey	6232N4VPC1	4051202541231
Abbey Blue	6232N4VPC2	4051202541224
Palazzo	6232N4VPC3	4051202541217
Drift Wood	6232N4VPC6	4051202538583
Highland Stone	6232N4VPC7	4051202538576
Nordic Creek	6232N4VPC8	4051202541569
Blue Lagoon	6232N4VPC9	4051202541552
Eternity	6232N4VPD3	4051202541514
Ardoise Anti-slip	6232N4W9	4051202542436
Star Flower	6232N4VPD0	4051202541545
Sinus Black	6232N4VPD1	4051202541538
Sinus White	6232N4VPD2	4051202541521
Upper Side Greige-Effect	6232N4VPB6	4051202541286

TECHNICAL DRAWINGS

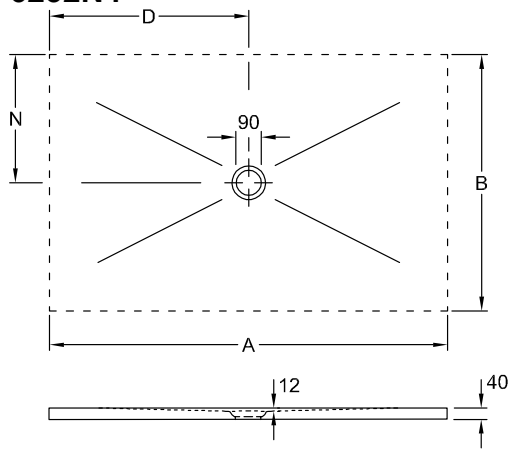
6232N4



	A	B	D	N
6232 34	1500	900	750	450
6232 33	1500	800	750	400
6232 32	1500	750	750	375
6232 V4	1400	900	700	450
6232 V3	1400	800	700	400
6232 V2	1400	750	700	375
6232 N4	1200	900	600	450
6231 Q3	1200	800	600	400
6231 Q2	1200	750	600	375
6231 Q1	1200	700	600	350
6230 L3	1000	800	500	400
6230 L2	1000	750	500	375
6230 L1	1000	700	500	350
6229 H2	900	750	450	375
6229 H1	900	700	450	350
6229 C2	800	750	400	375
6228 H4	900	900	450	450
6228 H3	900	800	450	400
6228 C3	800	800	400	400

TECHNICAL DRAWINGS

6232N4



	A	B	D	N
6232 34	1500	900	750	450
6232 33	1500	800	750	400
6232 32	1500	750	750	375
6232 V4	1400	900	700	450
6232 V3	1400	800	700	400
6232 V2	1400	750	700	375
6232 N4	1200	900	600	450
6231 Q3	1200	800	600	400
6231 Q2	1200	750	600	375
6231 Q1	1200	700	600	350
6230 L3	1000	800	500	400
6230 L2	1000	750	500	375
6230 L1	1000	700	500	350
6229 H2	900	750	450	375
6229 H1	900	700	450	350
6229 C2	800	750	400	375
6228 H4	900	900	450	450
6228 H3	900	800	450	400
6228 C3	800	800	400	400