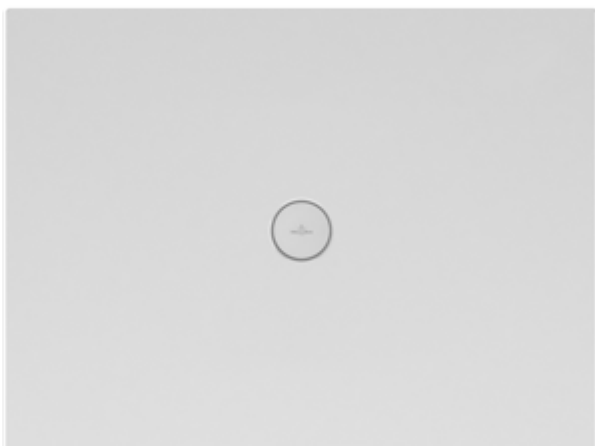


SHOWER TRAYS (CERAMICS) SUBWAY INFINITY

PRODUCT INFORMATION

1 . POSITION



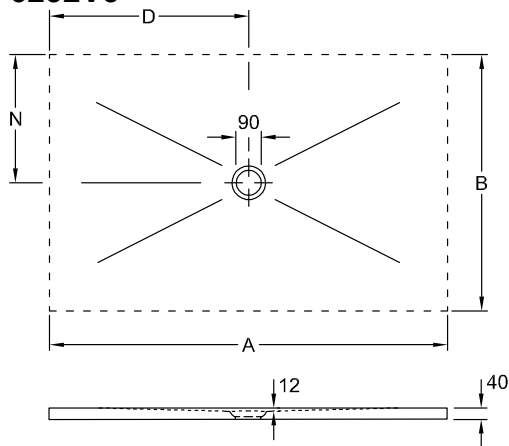
Model	6232V3
Collection	Subway Infinity
PROJECTS	DESIGN
Width	800 mm
Height	40 mm
Length	1400 mm
Weight	47,6 kg
description	<p>Ceramic not available in CeramicPlus These shower trays are cut along four sides (unglazed) and can be used for flush installation only. Total price includes the surcharge for cutting!, Orders that we have confirmed for custom-made shower trays cannot be cancelled or altered., The installation height of the shower can be reduced by 30mm if outlet fitting 9226 00 XX is used. Please note: this outlet fitting does not conform to EN 274., *Shower trays marked with an asterisk can only be installed with Mepa installation system art. no. 9223 76 or in a mortar bed. Ceramic available in White Alpin (01) with anti-slip class B (PN18), Taupe (TP), Ardoise (W9) and ViPrint décors with anti-slip class A (PN12). slip-resistant</p>
material	Ceramic
Specification texts	Subway Infinity; Shower tray; Ceramic; Size: 1400 x 800 x 40 mm; Rectangle

COLOURS

Abbey Grey	6232V3VPC1	4051202518028
Abbey Blue	6232V3VPC2	4051202512576
Palazzo	6232V3VPC3	4051202512286
Drift Wood	6232V3VPC6	4051202511418
Highland Stone	6232V3VPC7	4051202510886
Nordic Creek	6232V3VPC8	4051202511876
Blue Lagoon	6232V3VPC9	4051202511586
Star Flower	6232V3VPD0	4051202511814
Sinus Black	6232V3VPD1	4051202514648
Sinus White	6232V3VPD2	4051202514358
Eternity	6232V3VPD3	4051202515102
Upper Side Greige-Effect	6232V3VPB6	4051202518950
Upperside Anthracite Effect	6232V3VPB9	4051202518080
Townhouse	6232V3VPC0	4051202517793
White Alpin	6232V301	4051202470166
Taupe Anti-slip	6232V3TP	4051202470173
Lodge Beige-Effect	6232V3VPA1	4051202467630
X-Plane Creme-Effect	6232V3VPA2	4051202467623
X-Plane Anthracite-Effect	6232V3VPA3	4051202467616
Lodge Dark Brown	6232V3VPA6	4051202517175
Bernina Beige-Effect	6232V3VPA7	4051202516888
Bernina Anthracite Matt	6232V3VPA8	4051202515553
Ardoise Anti-slip	6232V3W9	4051202470197

TECHNICAL DRAWINGS

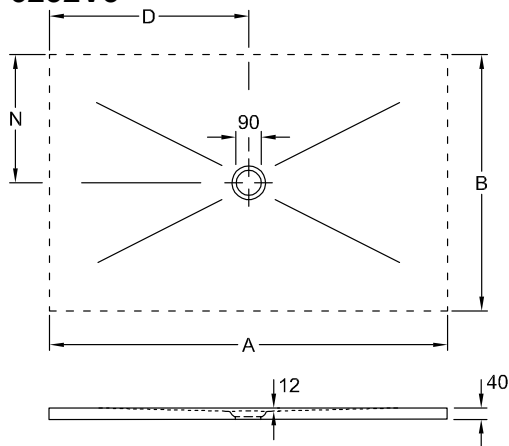
6232V3



	A	B	D	N
6232 34	1500	900	750	450
6232 33	1500	800	750	400
6232 32	1500	750	750	375
6232 V4	1400	900	700	450
6232 V3	1400	800	700	400
6232 V2	1400	750	700	375
6232 N4	1200	900	600	450
6231 Q3	1200	800	600	400
6231 Q2	1200	750	600	375
6231 Q1	1200	700	600	350
6230 L3	1000	800	500	400
6230 L2	1000	750	500	375
6230 L1	1000	700	500	350
6229 H2	900	750	450	375
6229 H1	900	700	450	350
6229 C2	800	750	400	375
6228 H4	900	900	450	450
6228 H3	900	800	450	400
6228 C3	800	800	400	400

TECHNICAL DRAWINGS

6232V3



	A	B	D	N
6232 34	1500	900	750	450
6232 33	1500	800	750	400
6232 32	1500	750	750	375
6232 V4	1400	900	700	450
6232 V3	1400	800	700	400
6232 V2	1400	750	700	375
6232 N4	1200	900	600	450
6231 Q3	1200	800	600	400
6231 Q2	1200	750	600	375
6231 Q1	1200	700	600	350
6230 L3	1000	800	500	400
6230 L2	1000	750	500	375
6230 L1	1000	700	500	350
6229 H2	900	750	450	375
6229 H1	900	700	450	350
6229 C2	800	750	400	375
6228 H4	900	900	450	450
6228 H3	900	800	450	400
6228 C3	800	800	400	400