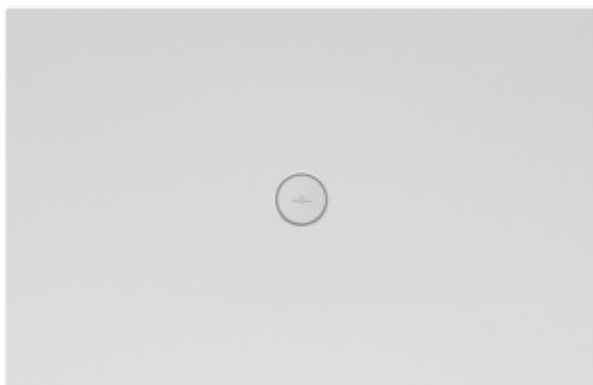


SHOWER TRAYS (CERAMICS) SUBWAY INFINITY

PRODUCT INFORMATION

1. POSITION



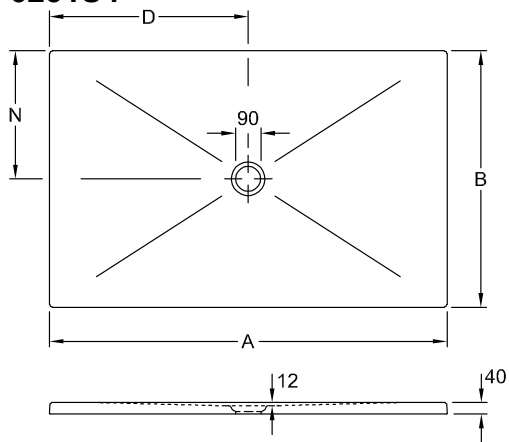
Model	6231S4
Collection	Subway Infinity
PROJECTS	■ DESIGN
Width	900 mm
Height	40 mm
Length	1400 mm
Weight	53 kg
description	<p>Ceramic not available in CeramicPlus 4 sides glazed, These shower trays are not cut and can be used for all installation types (recommended: Mepa installation system art. no. 9223 76 00), The installation height of the shower can be reduced by 30mm if outlet fitting 9226 00 XX is used. Please note: this outlet fitting does not conform to EN 274. Ceramic available in White Alpin (01) with anti-slip class B (PN18), Taupe (TP), Ardoise (W9) and ViPrint décors with anti-slip class A (PN12). slip-resistant Non-slip category PN18</p>
material	Ceramic
Specification texts	Subway Infinity; Shower tray; Ceramic; Size: 1400 x 900 x 40 mm; Rectangle; Non-slip category PN18

COLOURS

Abbey Grey	6231S4VPC1	4051202831141
Abbey Blue	6231S4VPC2	4051202831592
Palazzo	6231S4VPC3	4051202831585
Drift Wood	6231S4VPC6	4051202831578
Highland Stone	6231S4VPC7	4051202831561
Nordic Creek	6231S4VPC8	4051202831554
Blue Lagoon	6231S4VPC9	4051202831547
Star Flower	6231S4VPD0	4051202831530
Sinus Black	6231S4VPD1	4051202831523
Sinus White	6231S4VPD2	4051202831516
Eternity	6231S4VPD3	4051202831509
Ardoise Anti-slip	6231S4W9	4051202389499
White Alpin	6231S401	4051202389475
Taupe Anti-slip	6231S4TP	4051202389482
Lodge Beige-Effect	6231S4VPA1	4051202831011
X-Plane Creme-Effect	6231S4VPA2	4051202831028
X-Plane Anthracite-Effect	6231S4VPA3	4051202831073
Lodge Dark Brown	6231S4VPA6	4051202831080
Bernina Beige-Effect	6231S4VPA7	4051202831097
Bernina Anthracite Matt	6231S4VPA8	4051202831103
Upper Side Greige-Effect	6231S4VPB6	4051202831110
Upperside Anthracite Effect	6231S4VPB9	4051202831127
Townhouse	6231S4VPC0	4051202831134

TECHNICAL DRAWINGS

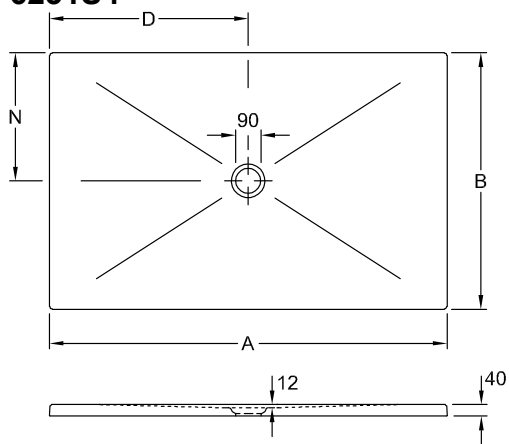
6231S4



	A	B	D	N
6232 45	1600	1000	800	500
6231 S4	1400	900	700	450
6230 N4	1200	900	600	450
6229 J3	1000	800	500	400
6228 J5	1000	1000	500	500

TECHNICAL DRAWINGS

6231S4



	A	B	D	N
6232 45	1600	1000	800	500
6231 S4	1400	900	700	450
6230 N4	1200	900	600	450
6229 J3	1000	800	500	400
6228 J5	1000	1000	500	500