

WALL-MOUNTED WASHBASINS VICARE

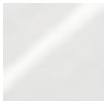


PRODUCT INFORMATION

1. POSITION



Model	517868
Collection	ViCare
PROJECTS	PLUS
Width	650 mm
Depth	550 mm
Weight	21 kg
Description	previously Architectura Vita Sanitary ceramics DIN 18040, EN 31, EN 14688 in accordance with DIN 18040
Tap fitting / Tap hole remark	central tap hole punched out
Overflow remark	without overflow, Please note: unclosable outlet valve must be used with models without overflow
Specification texts	ViCare; Washbasin ViCare; previously Architectura Vita; Sanitary ceramics; Size: 650 x 550 mm; Rectangle; central tap hole punched out; without overflow; Please note: unclosable outlet valve must be used with models without overflow; DIN 18040, EN 31, EN 14688; in accordance with DIN 18040

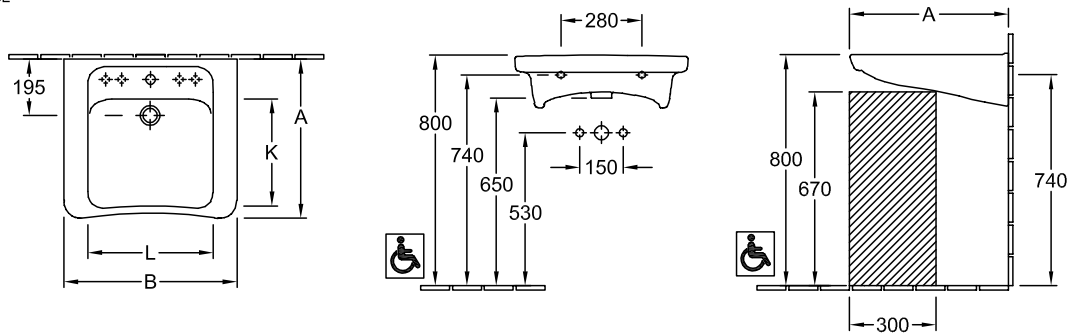
COLOURS

PREVIEW	COLOUR NAME	COLOUR CODE	ARTICLE NUMBER	PRICE
	White Alpin	51786801	4047289287544	
	White Alpin AntiBac CeramicPlus	517868T2	4051202355708	
	White Alpin CeramicPlus	517868R1	4047289287551	

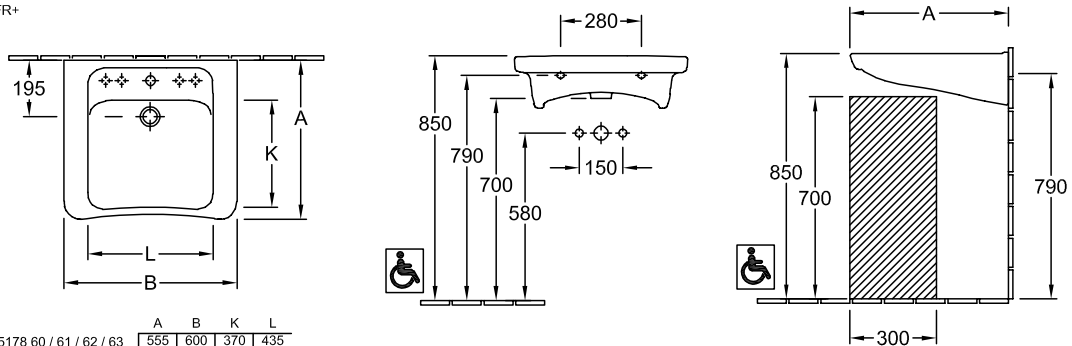
TECHNICAL DRAWINGS

517868

DE



FR+



	A	B	K	L
5178 60 / 61 / 62 / 63	555	600	370	435
5178 65 / 66 / 67 / 68	550	650	375	480