

Date: _____

Client: _____

Project: _____

VOLA product: 4913



4913

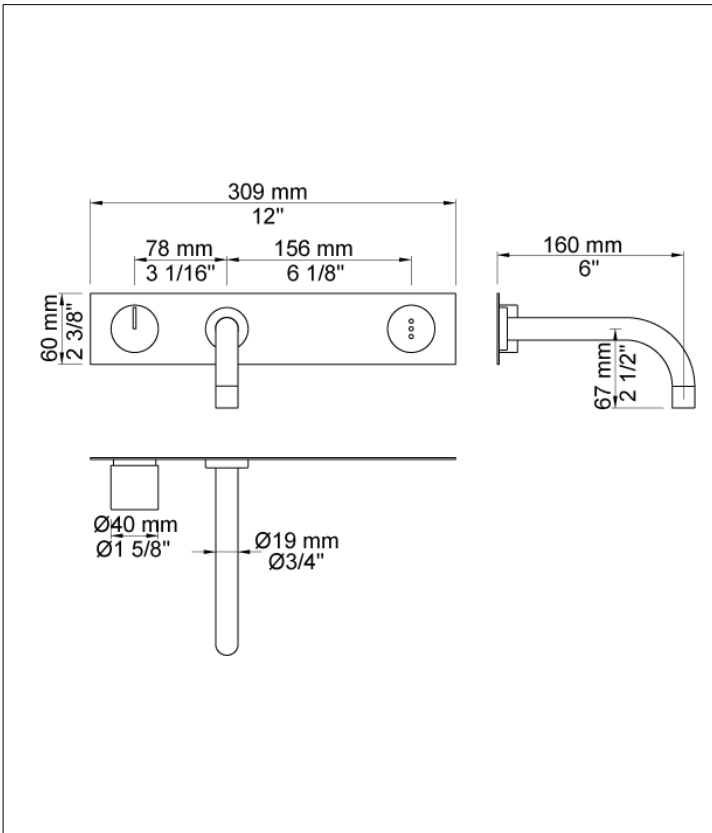
Build-in basin mixer with on-off sensor for 'hands free' operation. Sensor aligned with wall. Valve box VR2618 included. 4913UP = Mixer 4900, sensor cable VR509. 4913AP = Handle NR41, sensor VR510, 160 mm spout 010, cover plate 4003.

Ada approved.

Flow

	Bar:	1.0	2.0	3.0	4.0	5.0
4913	(l/min)	2.9	4.1	5.0	5.0	5.0
4913 ¹⁾	(l/min)	2.6	3.7	4.5	4.5	4.5

¹⁾ USA Standard



Available in colors

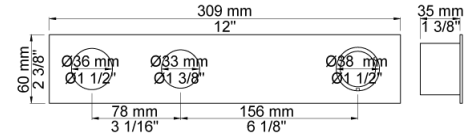
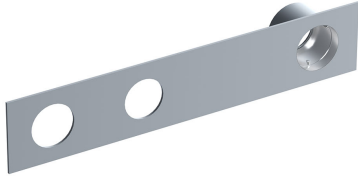
- Color 02, Grey
- Color 04, Light blue
- Color 05, Orange
- Color 06, Light green
- Color 08, Yellow
- Color 09, Dark grey
- Color 12, Mocca
- Color 14, Bright red
- Color 15, Dark blue
- Color 16, Polished chrome
- Color 17, Gloss black
- Color 18, White
- Color 19, Natural brass
- Color 20, Brushed chrome
- Color 21, Carmine red
- Color 25, Pink
- Color 27, Matt black
- Color 40, Brushed stainless steel



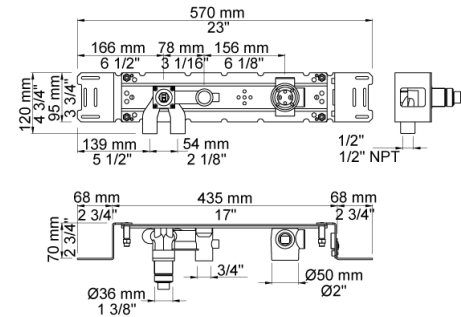
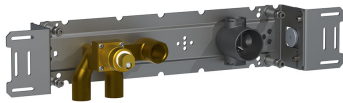
Date:

Client:

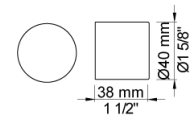
Project:



4003
Three-hole plate 60 x 309 mm. Holes $\varnothing 36$, $\varnothing 33$ mm and $\varnothing 38$ mm for 4900.



4900
Build-in basin mixer with on-off sensor for 'hands free' operation, with temperature regulation. Valve box for electronic mixer, VR2618 enclosed.



NR41
Temperature control handle for wall-mounted electronic mixer 4100.

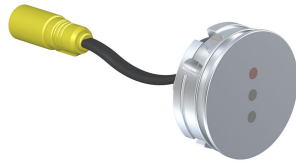
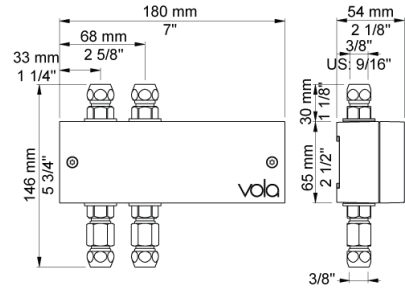
Date:

Client:

Project:



VR2618
Box for Electronic HV1E/4100/4900



VR510
Sensor for electronic tap 4300, 4800 and 4900.

