

Date:

Client:

Project:

VOLA product: 112X



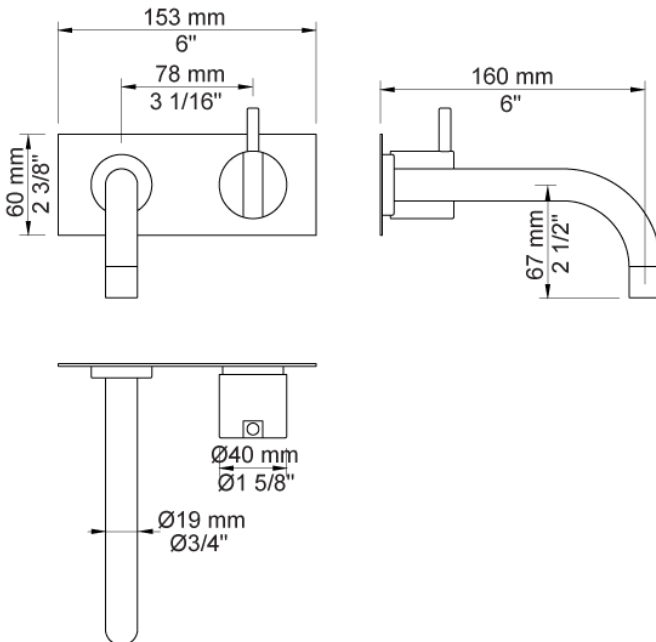
112X

One-handle build-in mixer with ceramic disc technology handle to the right. 112XUP = Mixer 100X. 112XAP = Handle NR28, 160 mm fixed spout 010, two-hole plate 60 x 153 mm 3002.

Flow

	Bar:	1.0	2.0	3.0	4.0	5.0
112X	(l/min)	2.9	4.1	5.0	5.0	5.0
112X ¹⁾	(l/min)	2.6	3.7	4.5	4.5	4.5

¹⁾ USA standard



Available in colors

- Color 02, Grey
- Color 04, Light blue
- Color 05, Orange
- Color 06, Light green
- Color 08, Yellow
- Color 09, Dark grey
- Color 12, Mocca
- Color 14, Bright red
- Color 15, Dark blue
- Color 16, Polished chrome
- Color 17, Gloss black
- Color 18, White
- Color 19, Natural brass
- Color 20, Brushed chrome
- Color 21, Carmine red
- Color 25, Pink
- Color 27, Matt black
- Color 40, Brushed stainless steel



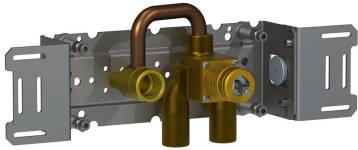
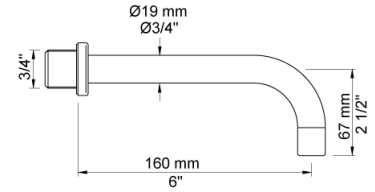
Date:

Client:

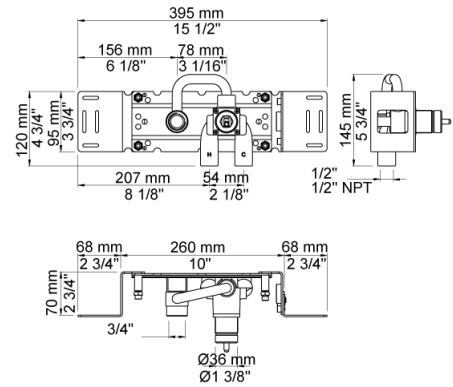
Project:



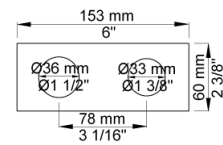
010
160 mm fixed spout with water saving aerator.



100X
One-handle build-in mixer with fixed outlet socket, mixer to the right. 1/2" connection to copper, steel, iron or pex pipe work.



3002
Two-hole plate, 60 x 153 mm. Holes Ø36 and Ø33 mm.



Date:

Client:

Project:



NR28
Operating handle for 100, 200, 300, 400 incl. variants. Ø40 mm.

