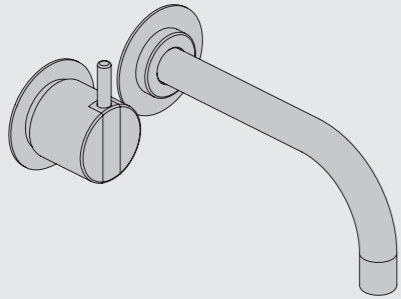


VOLA 100, 100X, 200, 200V, 300  
 VOLA 400DV, 400, 400V, 400N, 400NV, 400T  
 VOLA 400TV, 400F, 400FV, 400R, 400RV  
 VOLA 2100, 2100X, 2200, 2200V, 2300, 2400  
 VOLA 2400V, 2400N, 2400NV, 2400T, 2400TV  
 VOLA 2400F, 2400FV, 2400R, 2400RV

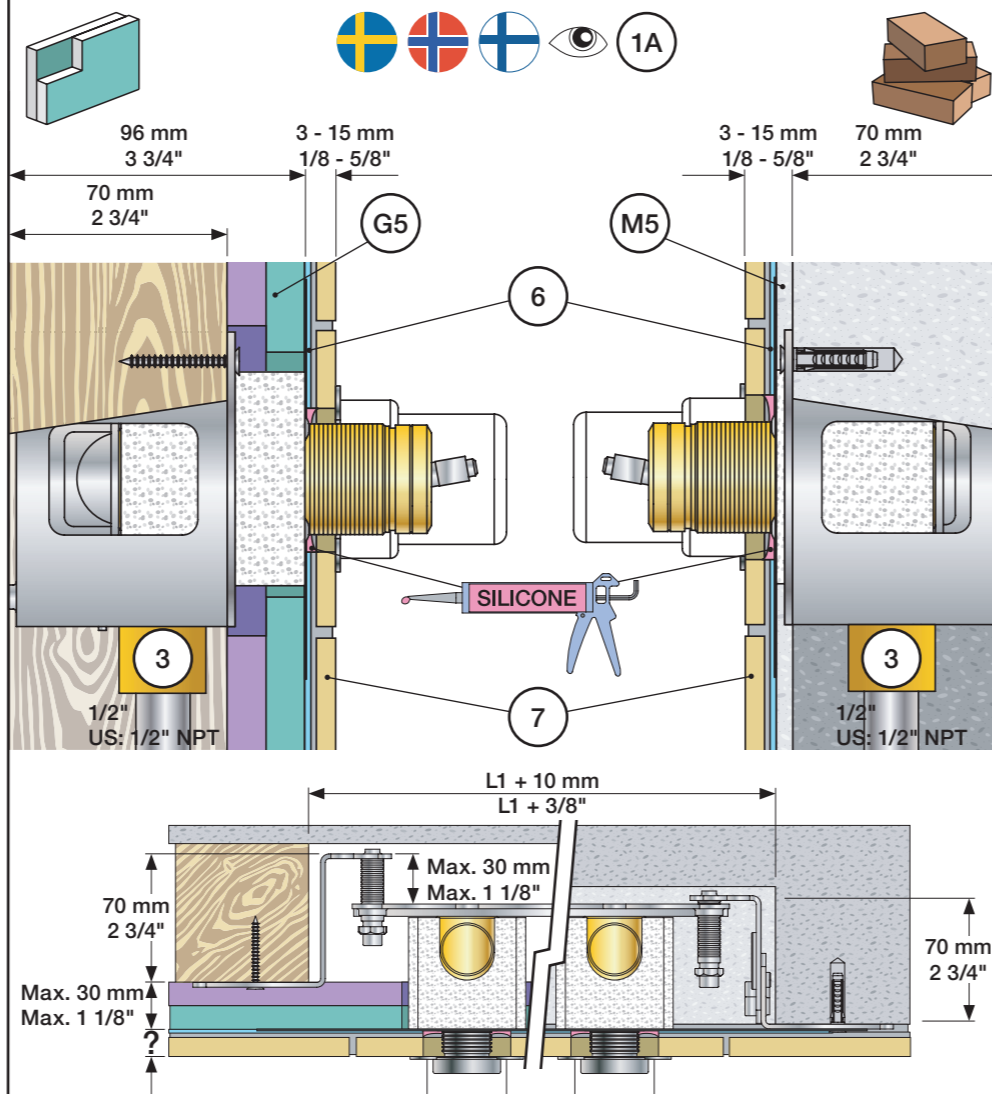


Fitting instruction  
 Montageanleitung  
 Monteringsvejledning

Monteringsvægledning  
 Montage hanledning  
 Manuel de montage



www.vola.com  
 100-2100\_V11 40999996

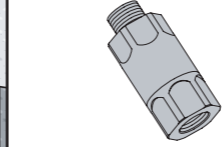


Data, 3 Bar/43.5 Psi:

|        | l/min. | Gal/min. | Max. 65°C, 150°F |
|--------|--------|----------|------------------|
| 100:   | 18,3   | 4.8      |                  |
| 400V:  | 15,6   | 4.1      |                  |
| 2100:  | 25,2   | 6.7      |                  |
| 2400V: | 22,2   | 5.9      |                  |

Max.: 10 Bar/145 psi

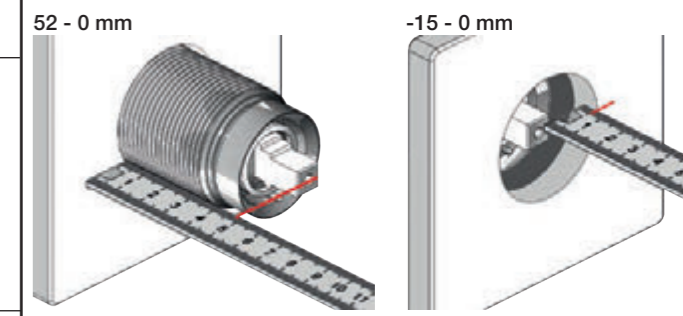
DE: Bitte separat beiliegende Anleitung für die Schalldämpfer VR1249 beachten



| Extension<br>Verlängerung | Forlængerdele<br>Förlängning | Verlængstukken<br>Modification |
|---------------------------|------------------------------|--------------------------------|
| 100/200/300/400           | VR1264                       | VR1400 VR2019                  |
| Tiles:                    | 3 - 15 mm Std.               | Std. Std.                      |
| Fliesen:                  | 15 - 25 mm +10               | +10 +10                        |
| Fliser:                   | 25 - 35 mm +20               | +20 +20                        |
| Tegels:                   | 35 - 45 mm +30               | +30 +30                        |
| Carreaux:                 | 45 - 55 mm +40               | +40 +40                        |
|                           | 55 - 65 mm +50               | +50 +50                        |

| 2100/2200/2300/2400 | VR2250         | VR1400    | VR2019 |
|---------------------|----------------|-----------|--------|
| Tiles:              | 3 - 15 mm Std. | Std. Std. |        |
| Fliesen:            | 15 - 25 mm +10 | +10 +10   |        |
| Fliser:             | 25 - 35 mm +20 | +20 +20   |        |
| Tegels:             | 35 - 45 mm +30 | +30 +30   |        |
| Carreaux:           | 45 - 55 mm +40 | +40 +40   |        |
|                     | 55 - 65 mm +50 | +50 +50   |        |

Extension, retrofit  
 Verlängerung, nachträglicher Einbau  
 Forlængerdele, eftermontering  
 Förlängning, eftermontering  
 Aanpassing na montage  
 Modification après installation

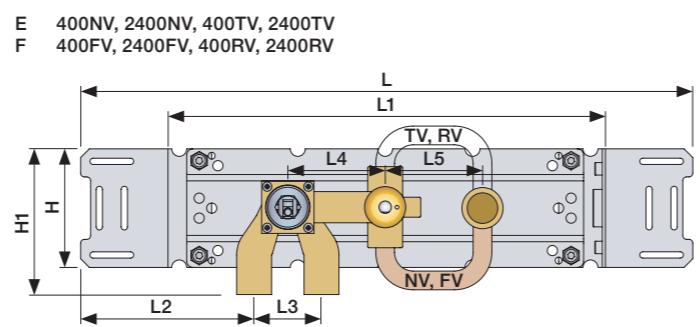
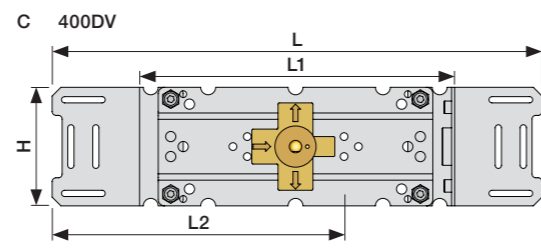
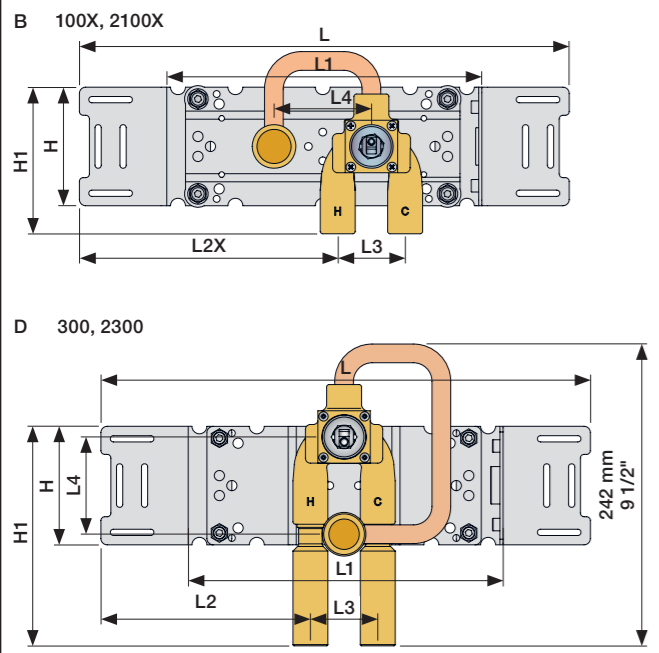
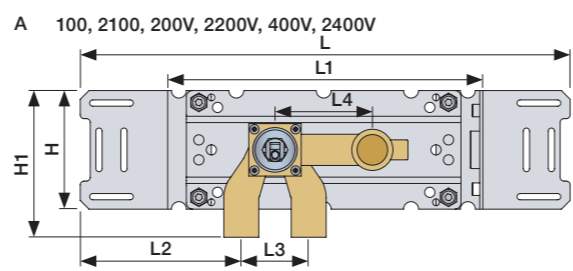


| 100/200/300/400 | VR1264 | VR1400 | VR2019 |
|-----------------|--------|--------|--------|
| 40 - 52 mm      | Std.   | Std.   | Std.   |
| 30 - 40 mm      | +10    | +10    | +10    |
| 20 - 30 mm      | +20    | +20    | +20    |
| 10 - 20 mm      | +30    | +30    | +30    |
| 0 - 10 mm       | +40    | +40    | +40    |
| -10 - 0 mm      | +50    | +50    | +50    |

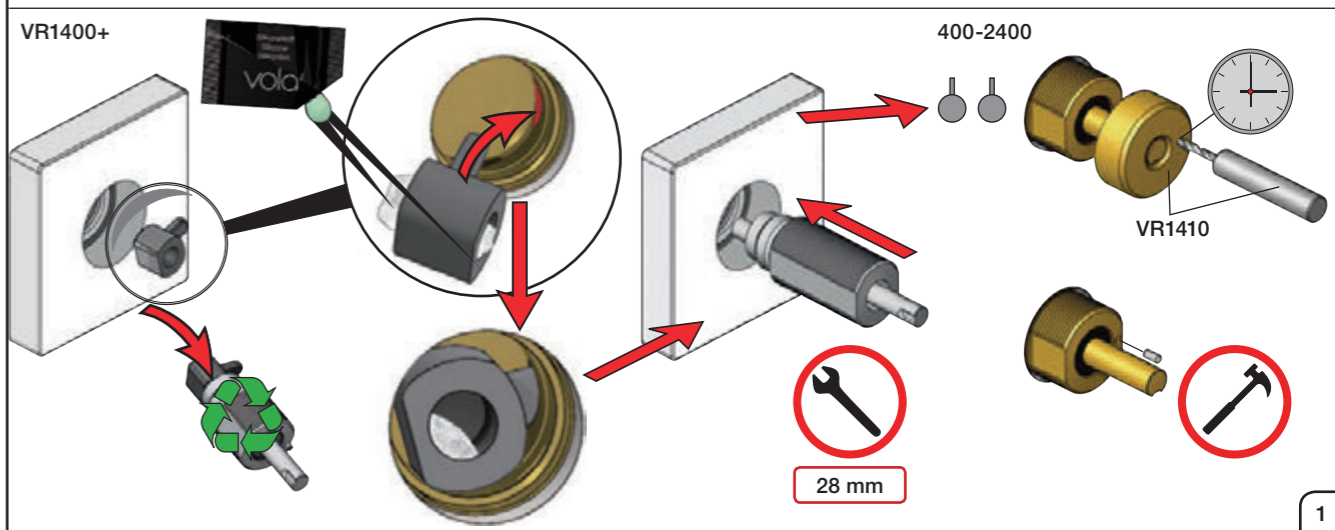
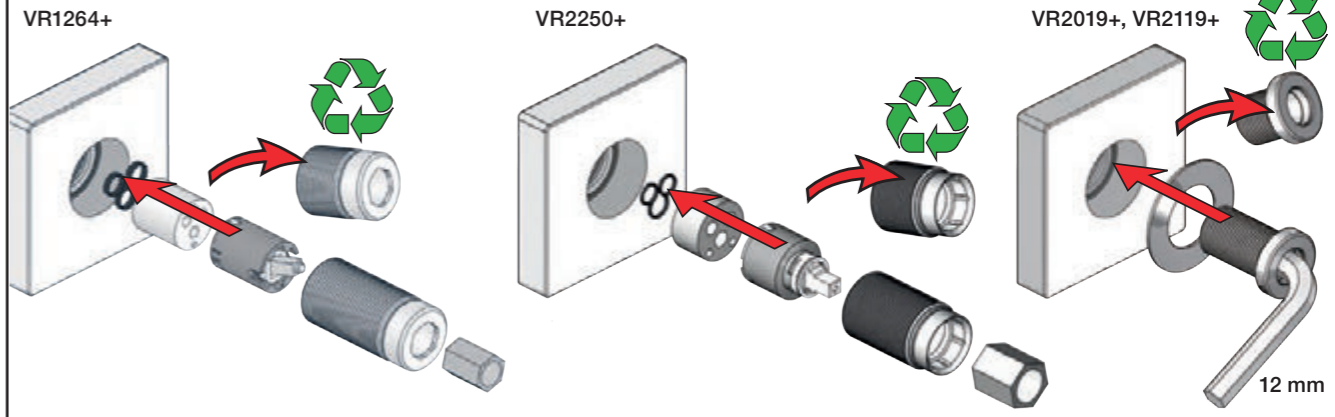
| 2100/2200/2300/2400 | VR2250 | VR1400 | VR2019 |
|---------------------|--------|--------|--------|
| 35 - 47 mm          | Std.   | Std.   | Std.   |
| 25 - 35 mm          | +10    | +10    | +10    |
| 15 - 25 mm          | +20    | +20    | +20    |
| 5 - 15 mm           | +30    | +30    | +30    |
| -5 - 5 mm           | +40    | +40    | +40    |
| -15 - -5 mm         | +50    | +50    | +50    |

|   | L                 | L1            | L2               | L3              | L4               | L5               | H | H1               |
|---|-------------------|---------------|------------------|-----------------|------------------|------------------|---|------------------|
| A |                   |               | 129 mm<br>5"     |                 |                  | -                |   | 120 mm<br>4 3/4" |
| B | 395 mm<br>15 1/2" | 260 mm<br>10" | 207 mm<br>8 1/8" |                 |                  | -                |   | -                |
| C |                   |               | 234 mm<br>9 1/4" | 54 mm<br>2 1/8" | 78 mm<br>3 1/16" |                  |   | -                |
| D |                   |               | 168 mm<br>6 5/8" |                 |                  |                  |   | 175 mm<br>6 7/8" |
| E | 490 mm<br>19 1/2" | 355 mm<br>14" |                  |                 |                  | 78 mm<br>3 1/16" |   | 120 mm<br>4 3/4" |
| F | 570 mm<br>23"     | 435 mm<br>17" | 139 mm<br>5 1/2" |                 |                  | 156 mm<br>6 1/8" |   |                  |

200: 200V + 200M  
 400: 400V + 2 x 200M  
 2400: 2400V + 2 x 200M  
 400N: 400NV + 200M  
 2400N: 2400NV + 200M  
 400T: 400TV + 200M  
 2400T: 2400TV + 200M  
 400F: 400FV + 200M  
 2400F: 2400FV + 200M  
 400R: 400RV + 200M  
 2400R: 2400RV + 200M

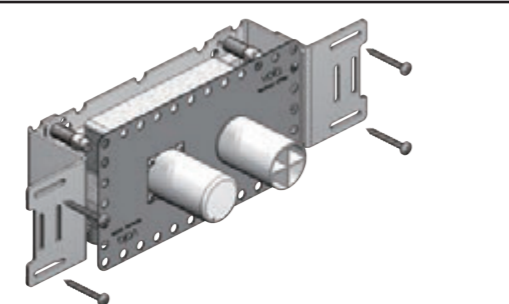


Fitting of extension  
 Montage von verlängerung  
 Monterings af forlængerdele  
 Monterings av förlängning  
 Montage van de verlængstukken  
 Montage des rallonges



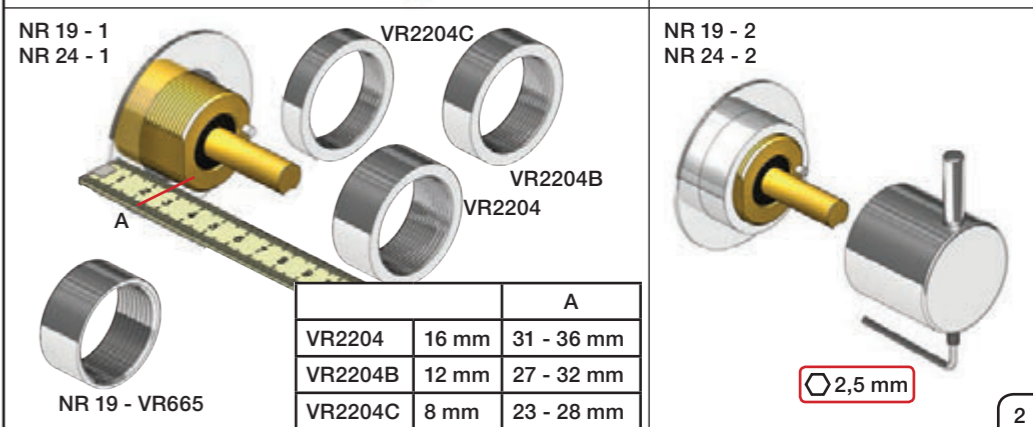
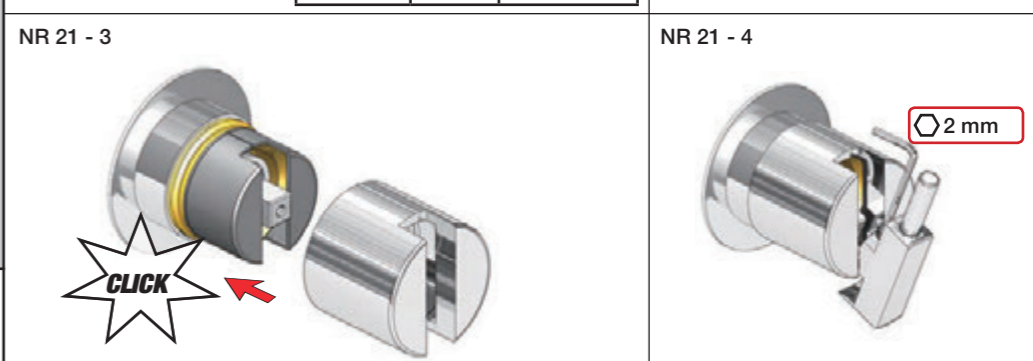
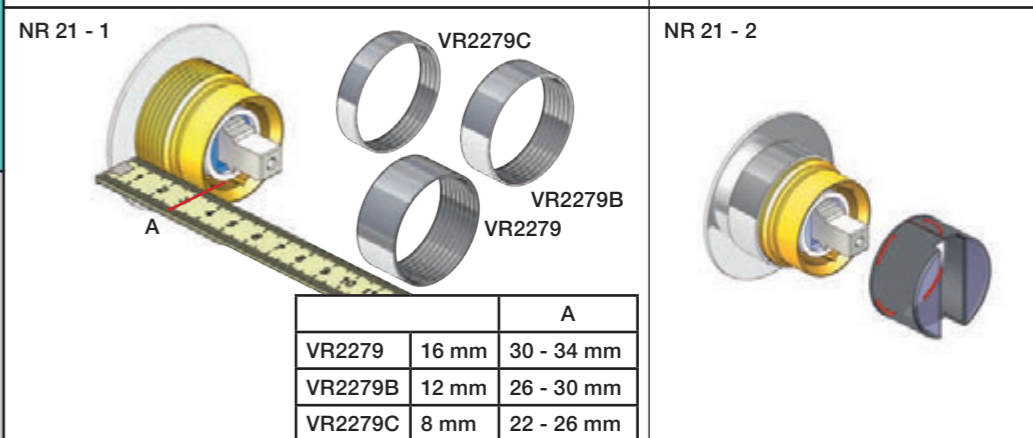
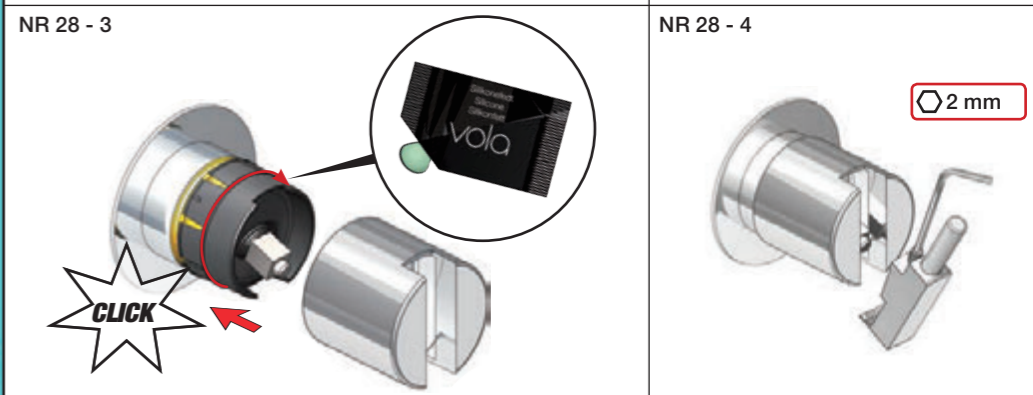
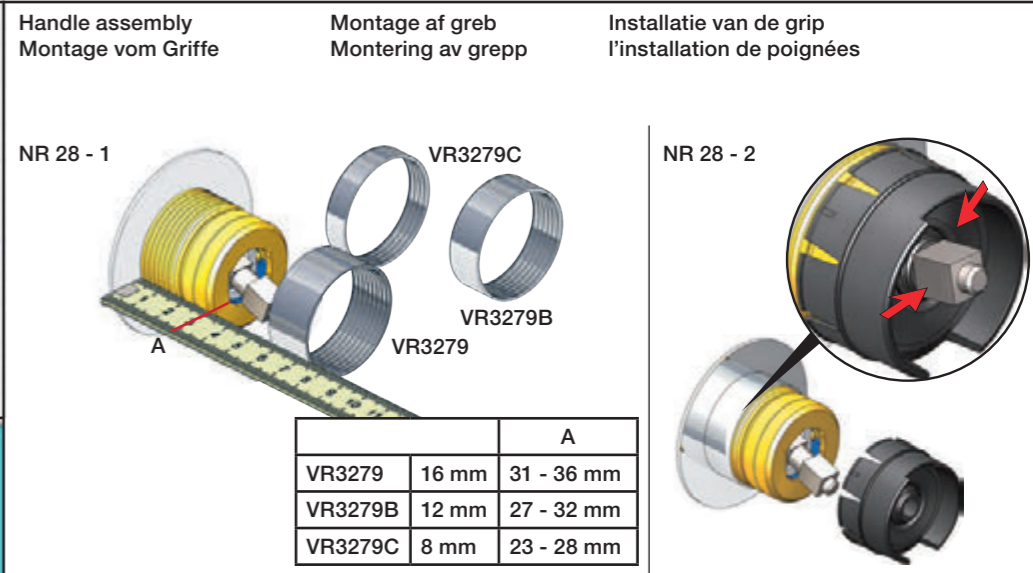
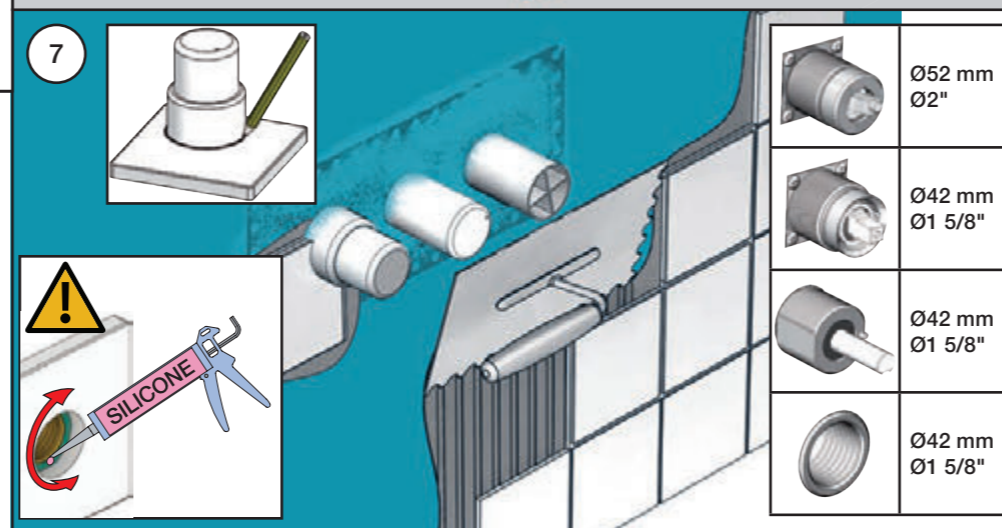
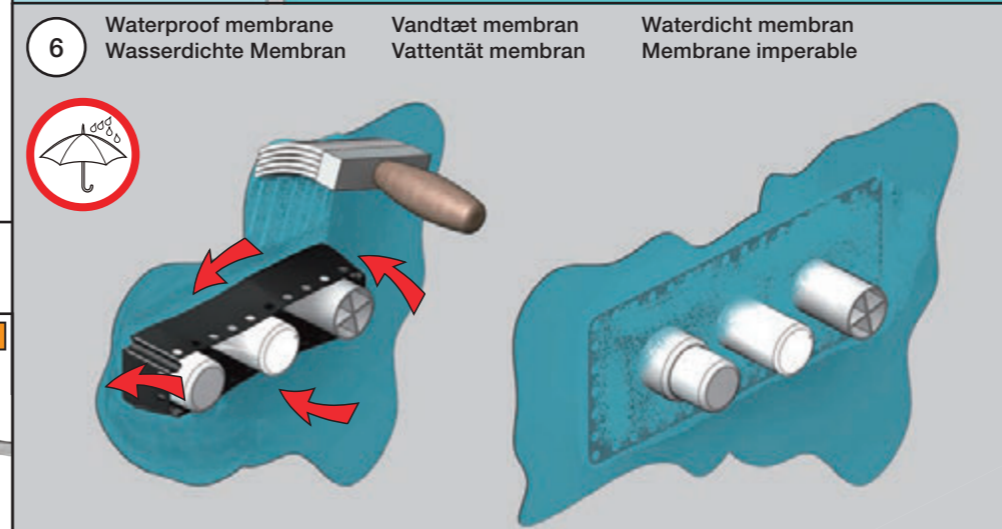
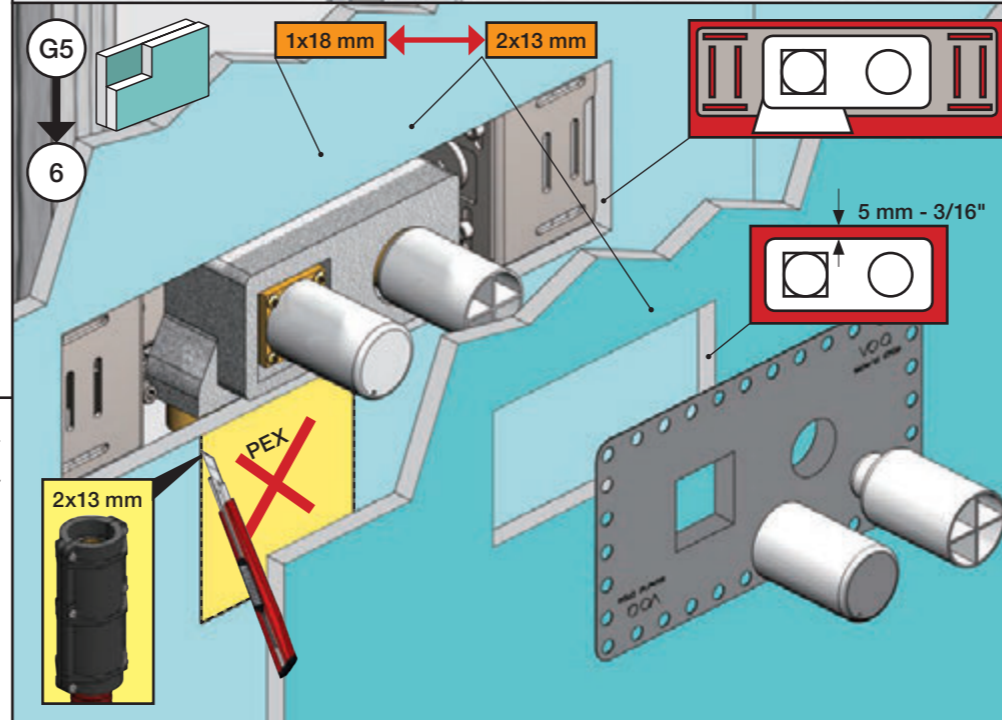
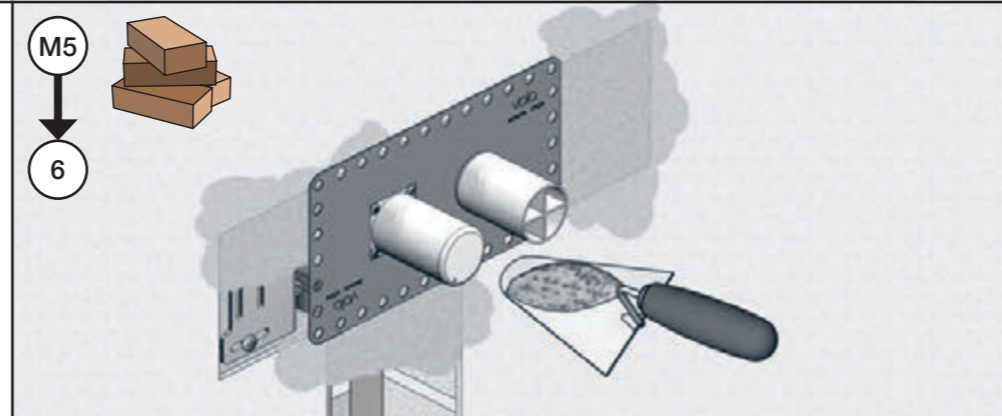
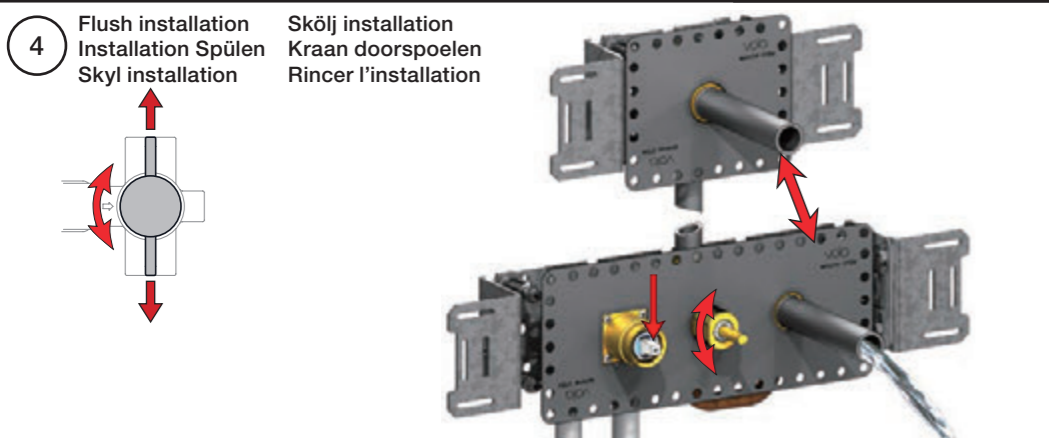
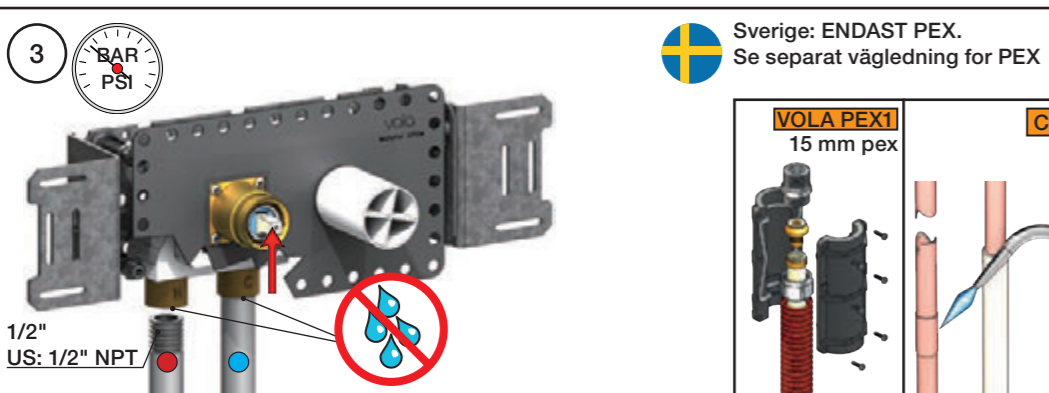
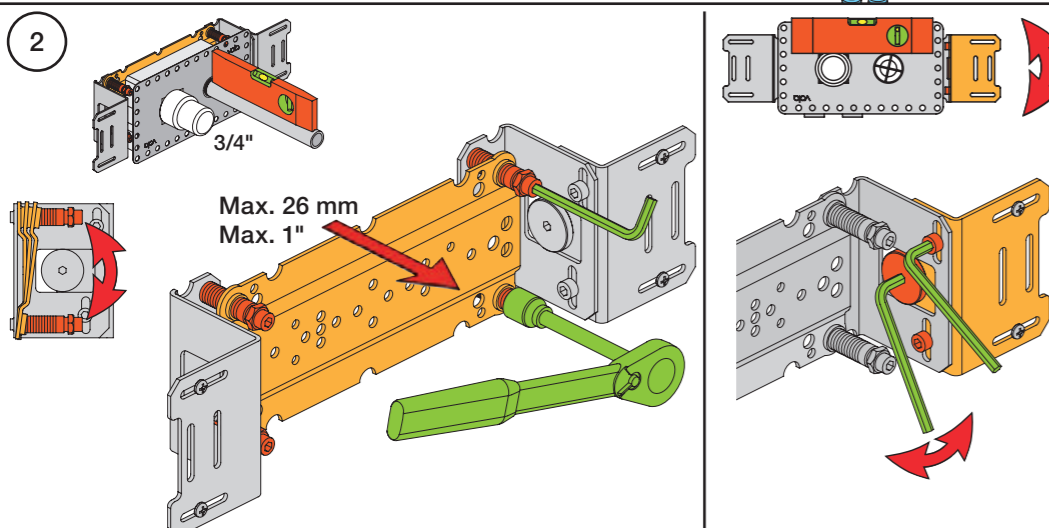
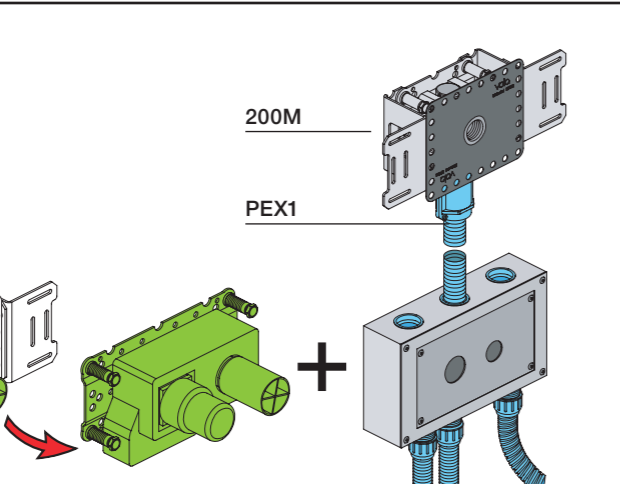


1 Check the local legislation.  
 Bitte die örtlichen Vorschriften überprüfen.  
 Tjek de lokale regler.  
 Kontrollera lokala föreskrifter  
 Nazitten lokale regelgeving.  
 Vérifiez la législation locale.



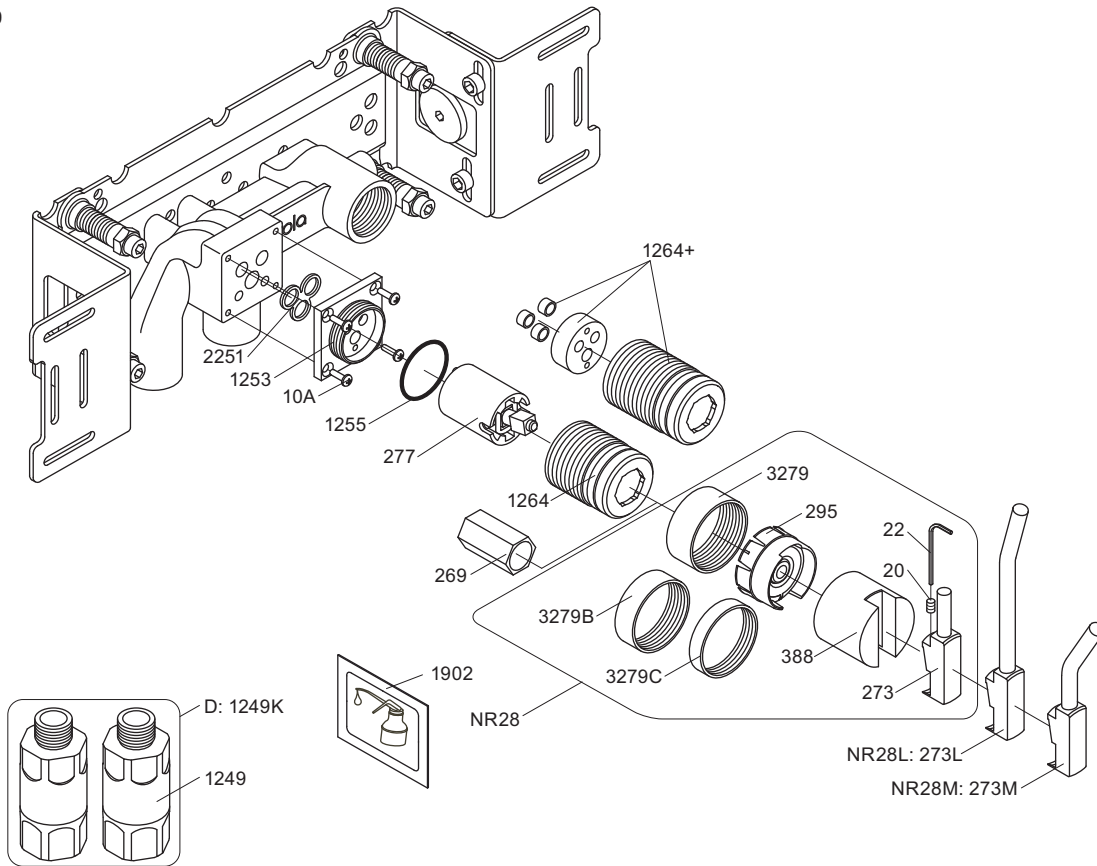
1A   
 Box till inbyggnadsblandare.  
 Boks til indbygningsblander.  
 Laatikko seinäasenteiselle sekoittajalle.

Ingår inte i leveransen  
 köps separat.  
 Ikke inkludert, kjøpes  
 separat.  
 Eivät sisälly tilaukseen,  
 ostettava erikseen.



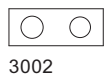
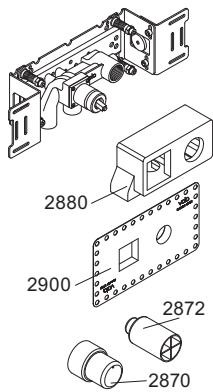


100



NR28: VR20, VR22, VR269, VR273, VR295, VR388, VR3279, VR3279B, VR3279C  
 VR277K: VR22, VR269, VR277  
 VR298: VR20, VR22, VR269, VR273, VR277, VR295, VR388, VR1264, VR3279, VR3279B, VR3279C

100

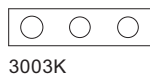
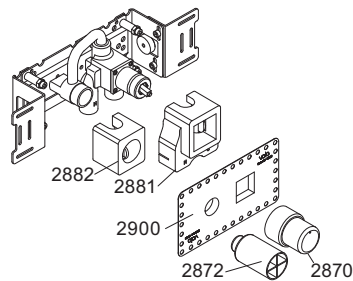


3002

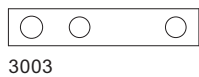


3001, 001

100X



3003K

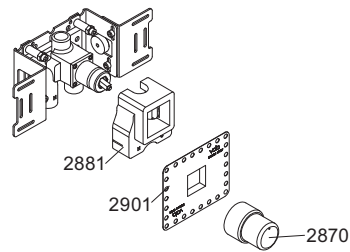


3003



3001, 001

200V

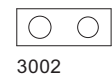
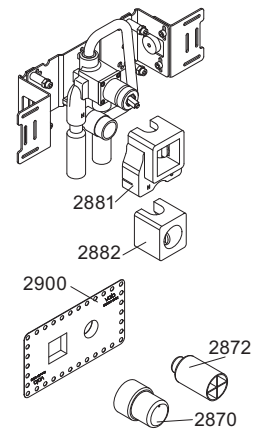


3001



3001

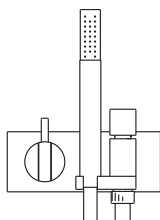
300



3002



3001, 001



**VOLA A/S**  
 Lunavej 2  
 DK-8700 Horsens  
 Tlf : + 45 7023 5500  
 Fax: + 45 7023 5511  
 sales@vola.com  
 www.vola.com

**VOLA 100**  
 100X, 200V, 300

Dato

Apr. 12

Rev.

4

Blad

SB 1.2