

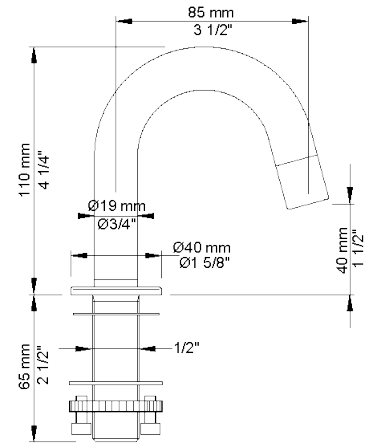
Date:

Client:

Project:



090A
Swivel spout. Hole cut out size: 22 mm.



S50
Stop valve with 1/4 turn ceramic disc technology. Includes non-return valve and 1/2" inlet/outlet. Hole cut out size: 30 mm.

