

Date:

Client:

Project:

VOLA product: KV10



**KV10**

Three-hole mixer combination consisting of ¼ turn ceramic stop valves S50D + S50DH, swivel spout 090G with water saving aerator, 2 pcs. 60 mm circular flanges 001. Inlet/Outlet: ½". Hole cut out size, valves: 30 mm. Hole cut out size, spout: 22 mm.

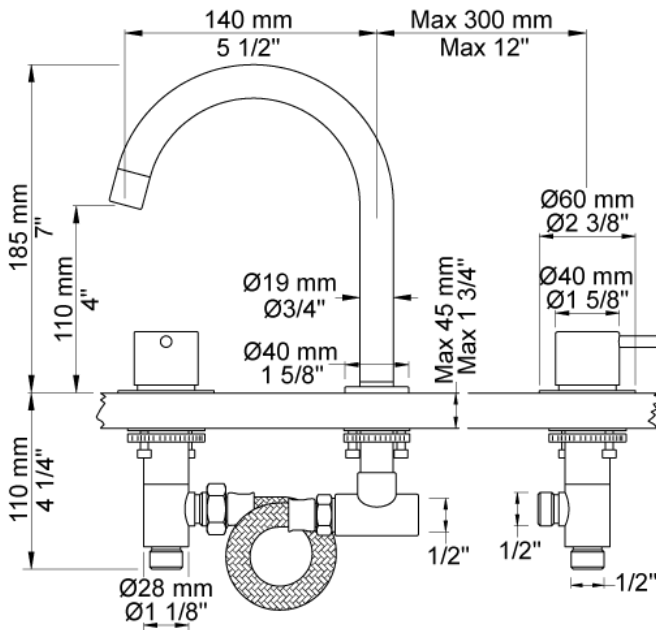
**Flow**

	Bar:	1.0	2.0	3.0	4.0	5.0
KV10 <sup>1)</sup>	(l/min)	2.3	3.3	4.0	4.0	4.0
KV10	(l/min)	4.8	6.8	8.3	8.3	8.3

<sup>1)</sup> USA Standard

**Available in colors**

- Color 02, Grey
- Color 04, Light blue
- Color 05, Orange
- Color 06, Light green
- Color 08, Yellow
- Color 09, Dark grey
- Color 12, Mocca
- Color 14, Bright red
- Color 15, Dark blue
- Color 16, Polished chrome
- Color 17, Gloss black
- Color 18, White
- Color 19, Natural brass
- Color 20, Brushed chrome
- Color 21, Carmine red
- Color 25, Pink
- Color 27, Matt black
- Color 40, Brushed stainless steel



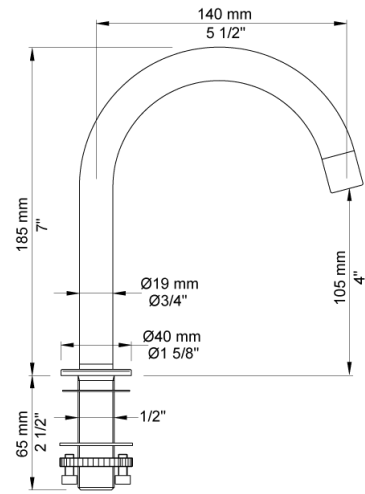
Date:

Client:

Project:



**090G**  
Swivel spout. Hole cut out size: 22 mm.



**S50**  
Stop valve with ¼ turn ceramic disc technology. Includes non-return valve and ½" inlet/outlet. Hole cut out size: 30 mm.

