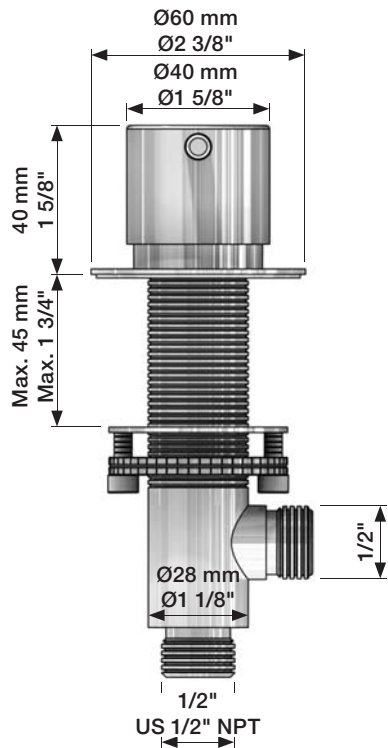


VOLA S50, S50D, S50DH
 VOLA KV3, KV4, KV9, KV10, KV15
 VOLA HV5, HV8, HV10
 VOLA SC2, SC4, SC6, SC8, SC11, SC13

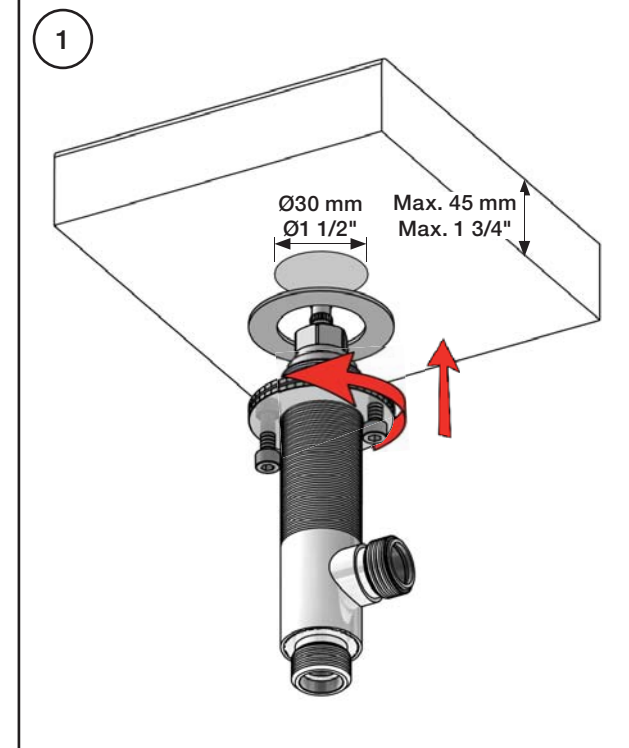
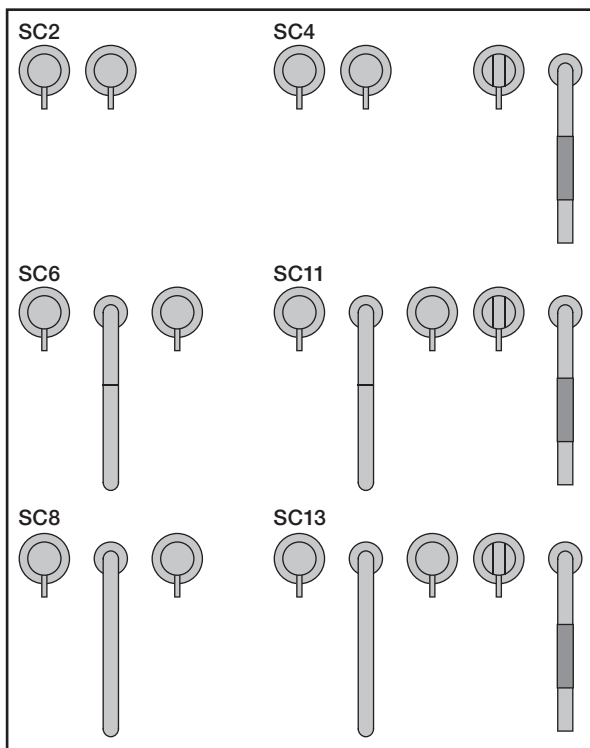
Fitting instruction
 Montageanleitung
 Monteringsvejledning
 Monteringsvægledning
 Montage hanleiding
 Manuel de montage



Data, 3 Bar:

	l/min.	Gal/min.
S50:	32,0	8.5
KV3:	30,0	7.9
KV4:	9,0	2.4
KV10, 15:	9,0	2.4
HV5, 8, 10:	9,0	2.4
SC2, 4 (A24):	16,0	4.2
SC6, 8, 11, 13: (C)	26,0	6.9

Max. 65°C, 150°F





4A

mm:	H	D	h
090	210	200	145
090A	110	85	40
090B	185	100	114
090C	185	100	114
090D	220	200	130
090E	170	200	65
090G	185	140	105
090H	265	230	155
090I	325	230	216
090V	355	145	270

Inches:	H	D	h
090	8 1/2"	8"	5 3/4"
090A	4 1/4"	3 1/2"	1 1/2"
090B	7"	4"	4 1/2"
090C	7"	4"	4 1/2"
090D	8 3/4"	8"	5"
090E	6 3/4"	8"	2 1/2"
090G	7"	5 1/2"	4"
090H	10 1/2"	9"	6"
090I	12 3/4"	9"	8 1/2"
090V	14"	5 3/4"	10 1/2"



VOLA 090, 090A, 090B:
 VOLA 090C, 090D, 090E:
 VOLA 090G, 090H, 090I, 090V:

1 - 4

VOLA 090FM:

5

Fitting instruction Monteringsvægledning
 Montageanleitung Montage hanledning
 Monteringsvejledning Manuel de montage

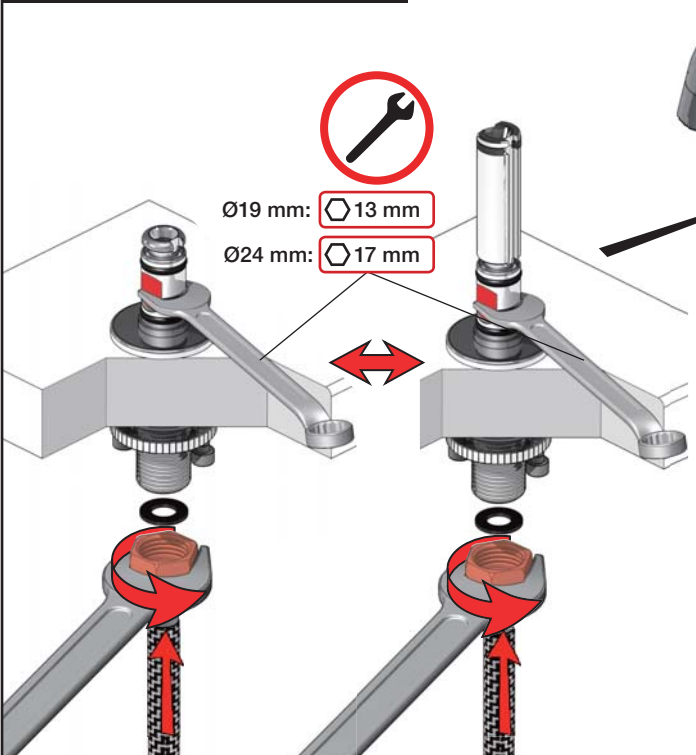


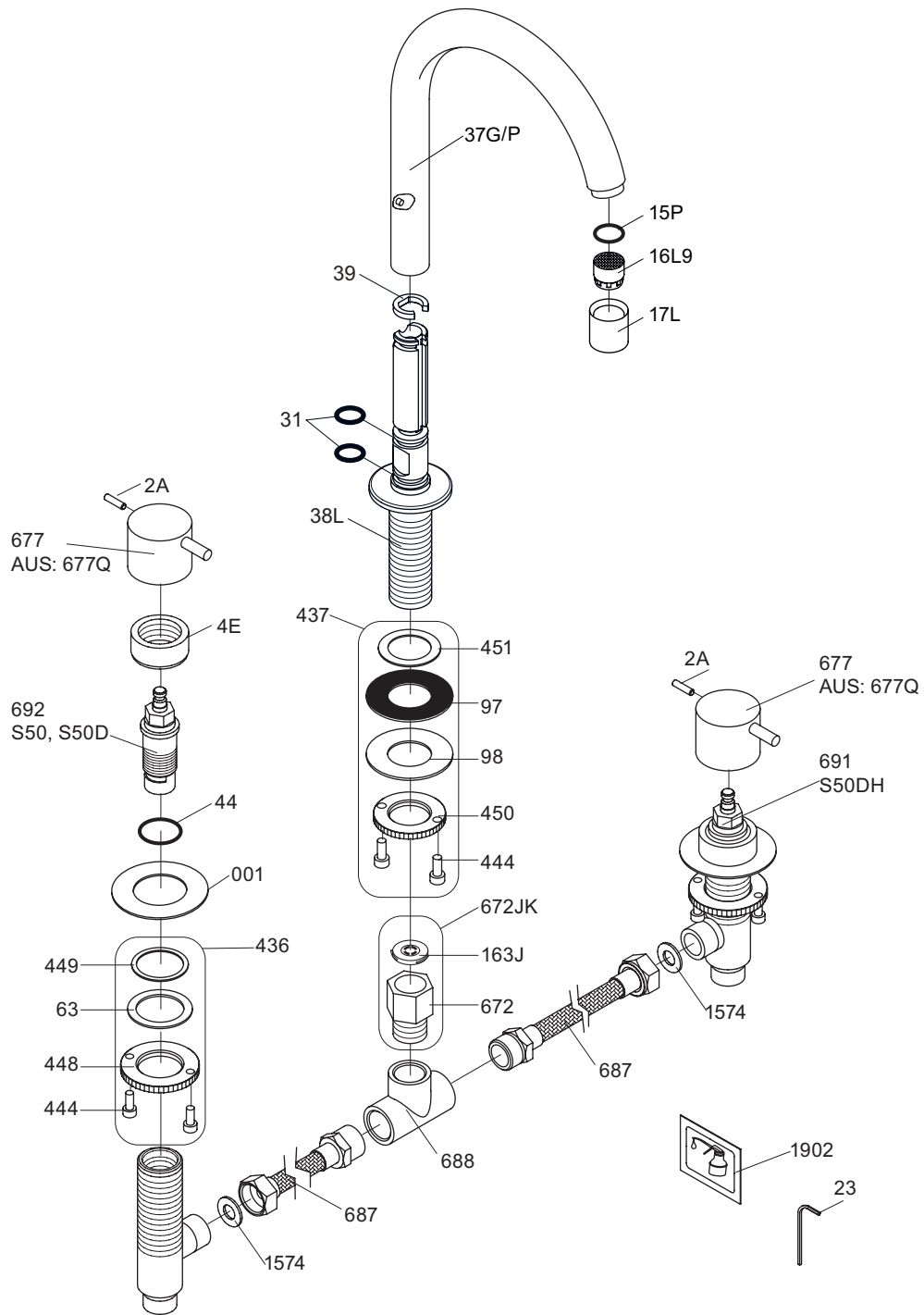
www.vola.com

vola

mnt_090_V3_40999824







NR.7: VR2A, VR23, VR677
 VR090: VR15P, VR16L9, VR17L
 VR436: VR63, 2xVR444, VR448, VR449
 VR437: VR97, VR98, 2xVR444, VR450, VR451
 VR672JK: VR163J, VR672
 VR691K: VR23, VR691
 VR692K: VR23, VR692



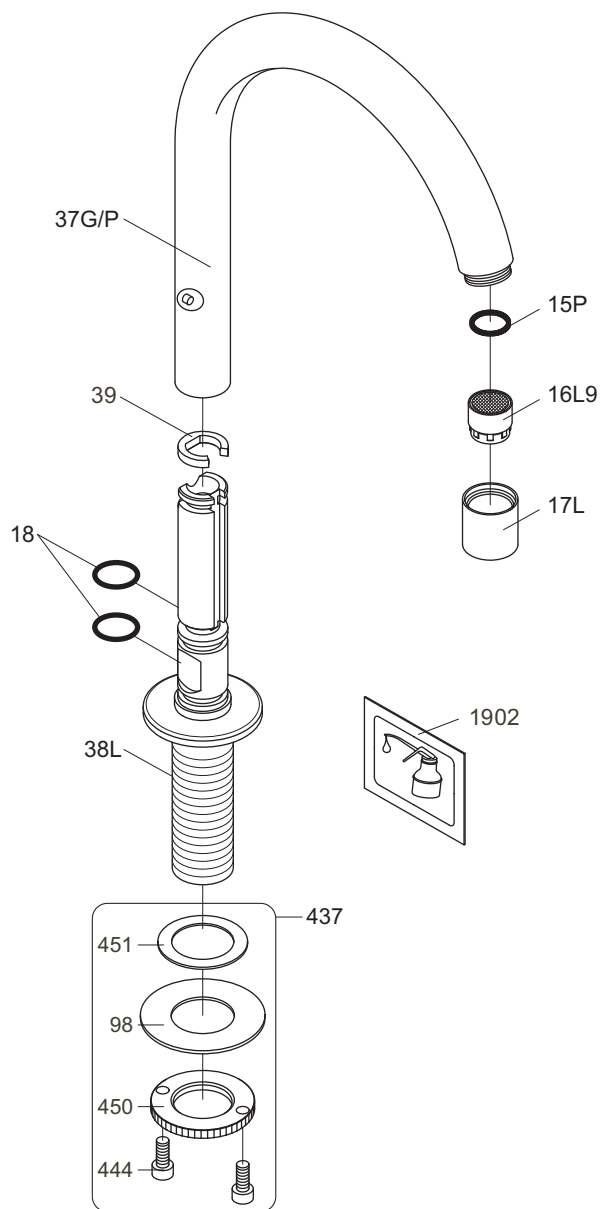
vola
 Lunavej 2
 DK-8700 Horsens
 Tlf : + 45 7023 5500
 Fax: + 45 7023 5511
 sales@vola.com
 www.vola.com

VOLA KV10

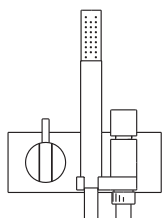
Date
Maj. 17

Rev.
3

Sheet
SB 27.6G



VR17L9K: VR15P, VR16L9, VR17L
 VR437: VR98, 2xVR444, VR450, VR451



VOLA A/S
 Lunavej 2
 DK-8700 Horsens
 Tlf : + 45 7023 5500
 Fax: + 45 7023 5511
 sales@vola.com
 www.vola.com

VOLA 090G

Dato

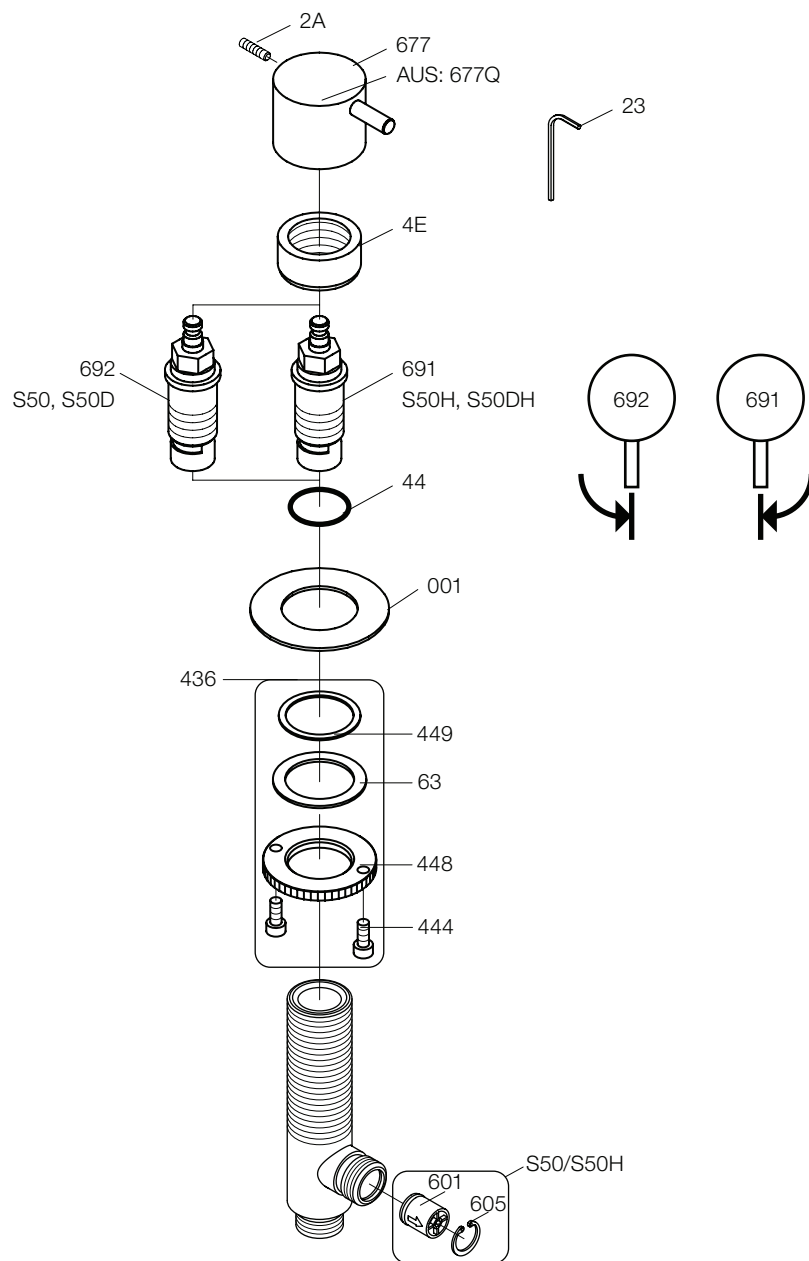
Apr. 12

Rev.

3

Blad

SB 19.3



VR691i: VR23, VR44, VR691
 VR692i: VR23, VR44, VR692
 VR436: VR63, 2xVR444, VR448, VR449
 NR.7: VR2A, VR23, VR677



vola
 Lunavej 2
 DK-8700 Horsens
 Tlf : + 45 7023 5500
 Fax: + 45 7023 5511
 sales@vola.com
 www.vola.com

VOLA S50/S50H **VOLA S50D/S50DH**

Date
Sep. 09

Rev.
2

Sheet
SB 31.3