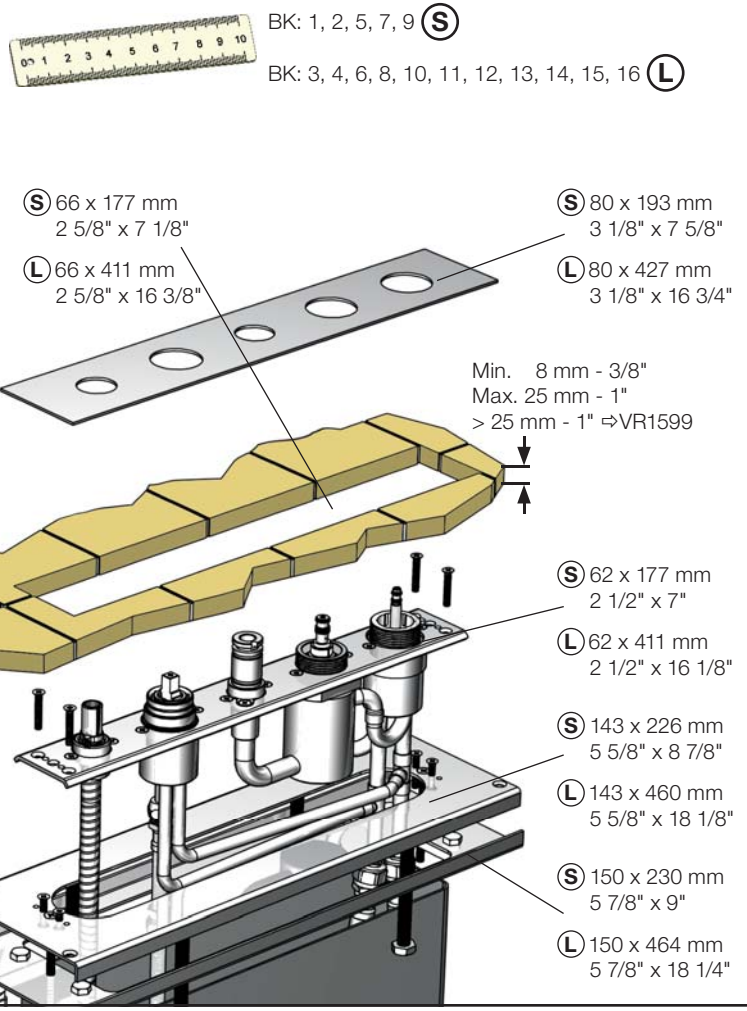
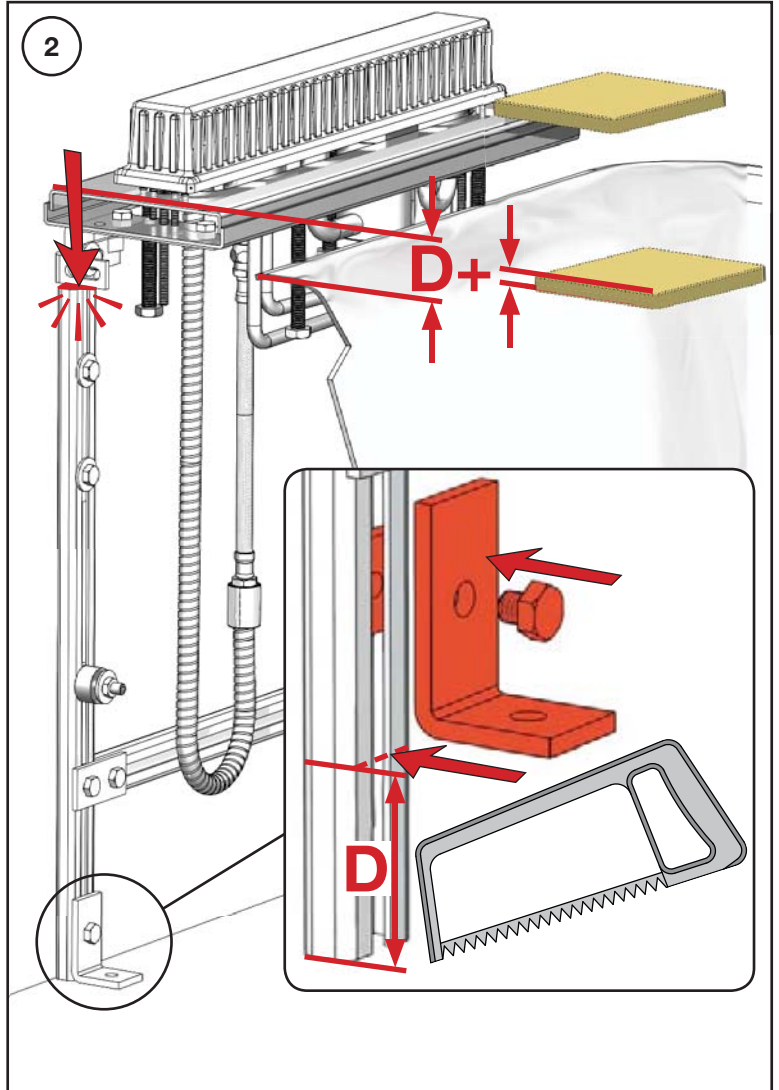
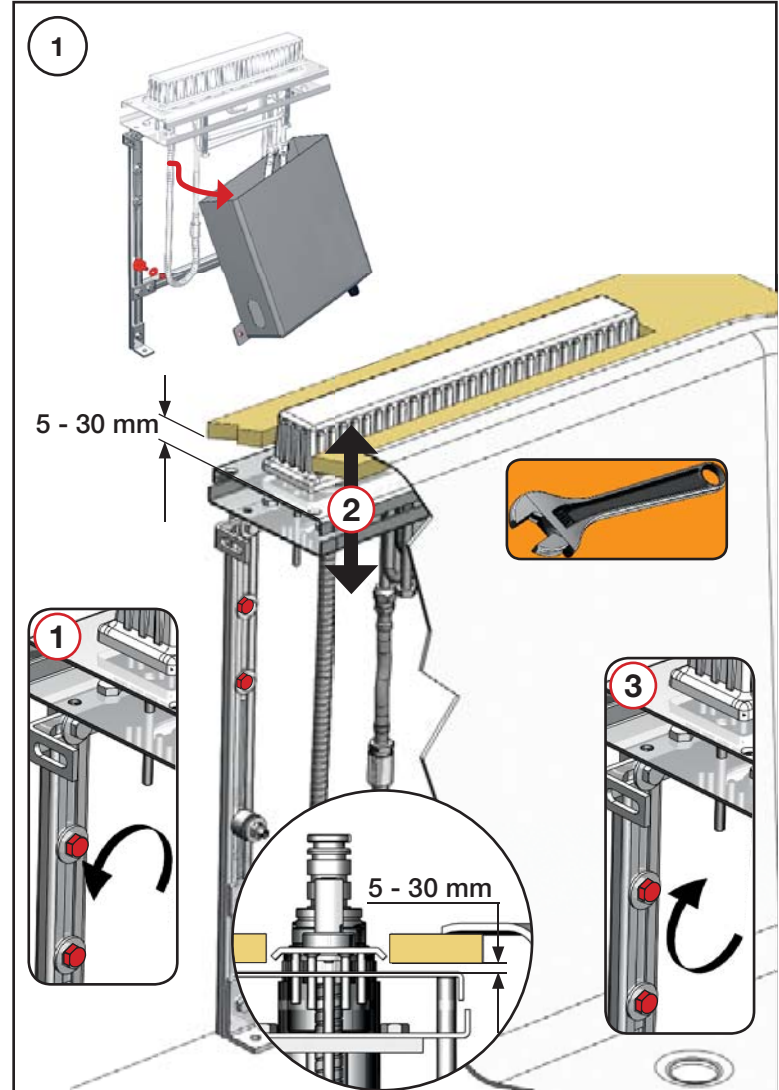
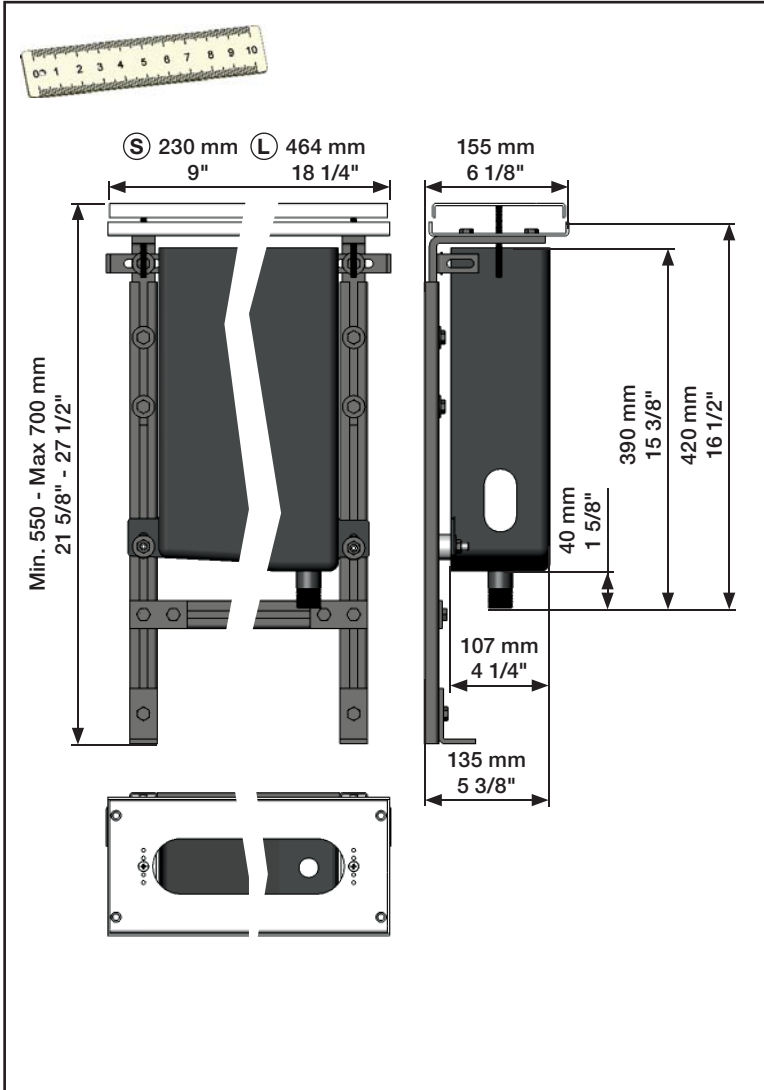


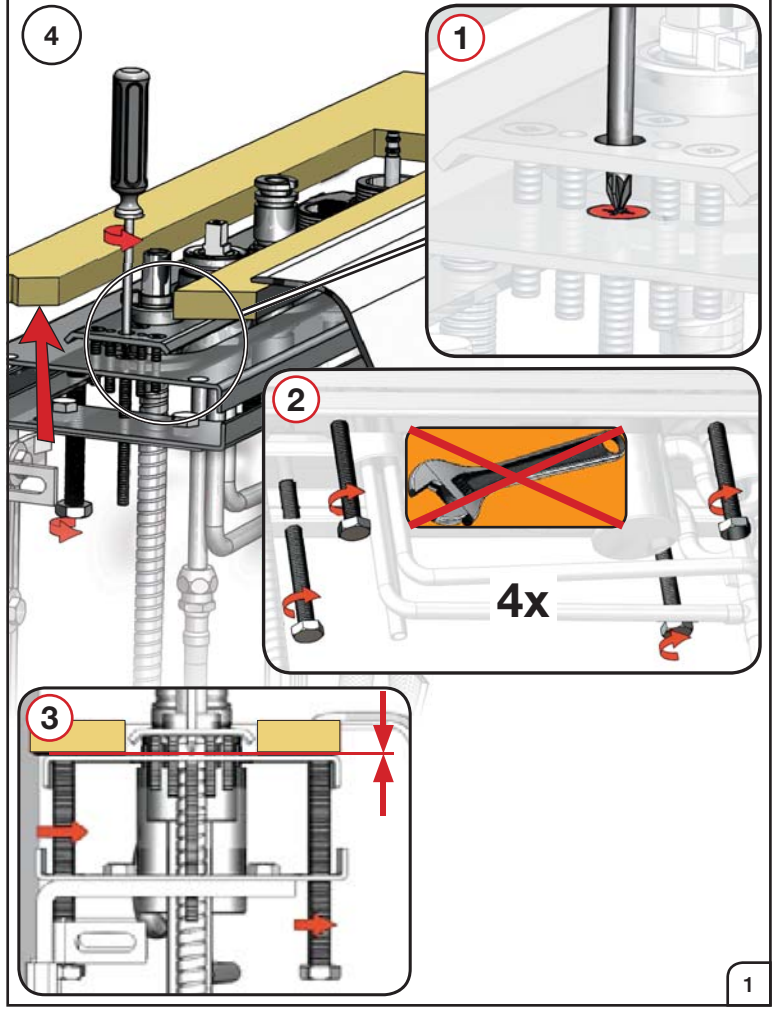
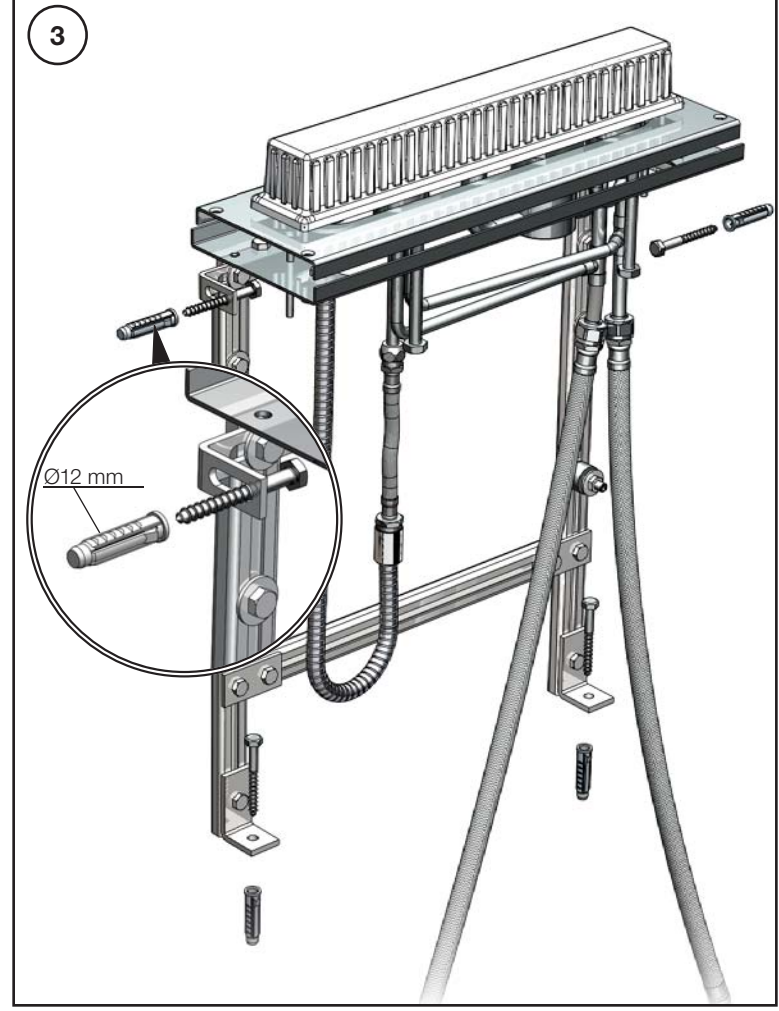
www.vola.com
BK_V5_40600036
5 703182 372389

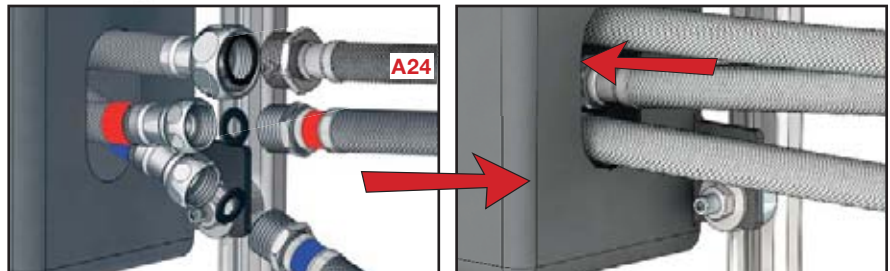
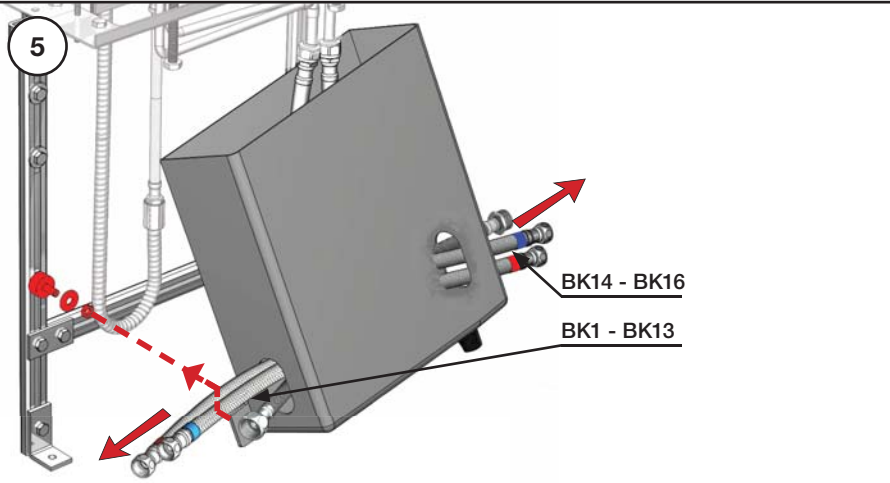


Data, 3 Bar (Max. 10 Bar):

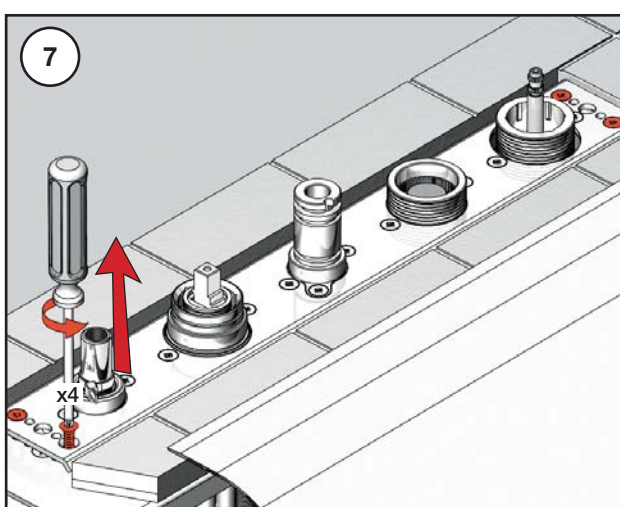
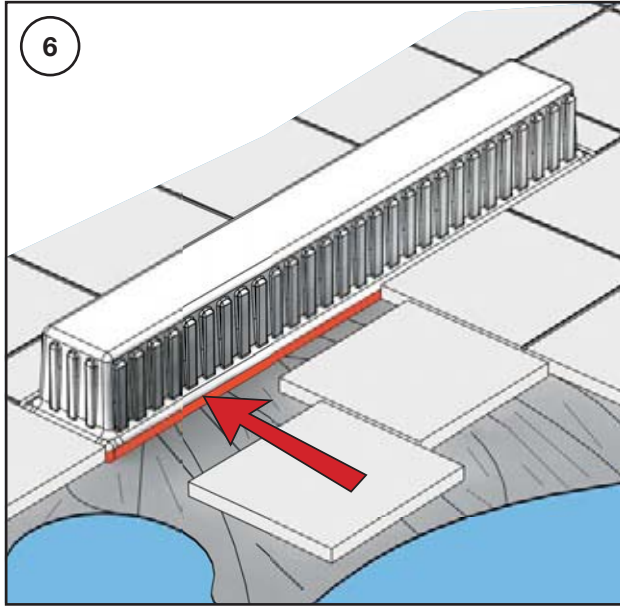
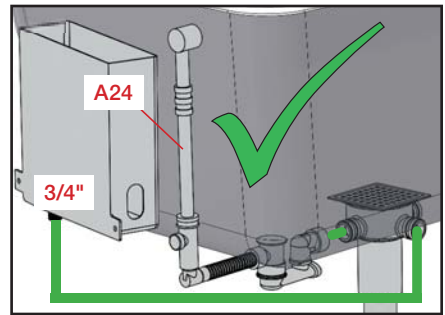
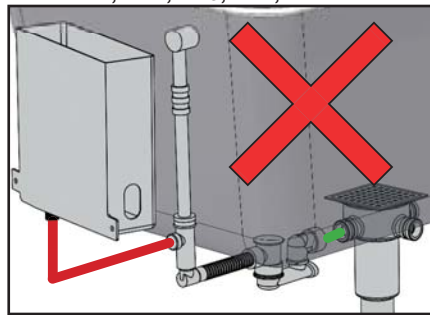
| | l/min. | Gal/min. |
|--------|------------------|----------|
| T1 | 10 | 2.6 |
| 090D/E | BK 5, 7, 10, 12: | 20 5.3 |
| | BK 6, 8, 11, 13: | 25 6.6 |
| | BK 15, 16: | 25 6.6 |
| A24 | BK 1, 3: | 15 3.9 |
| | BK 2, 4: | 19 5.0 |
| | BK 14: | 22 5.8 |

Max. 65°C, 150°F



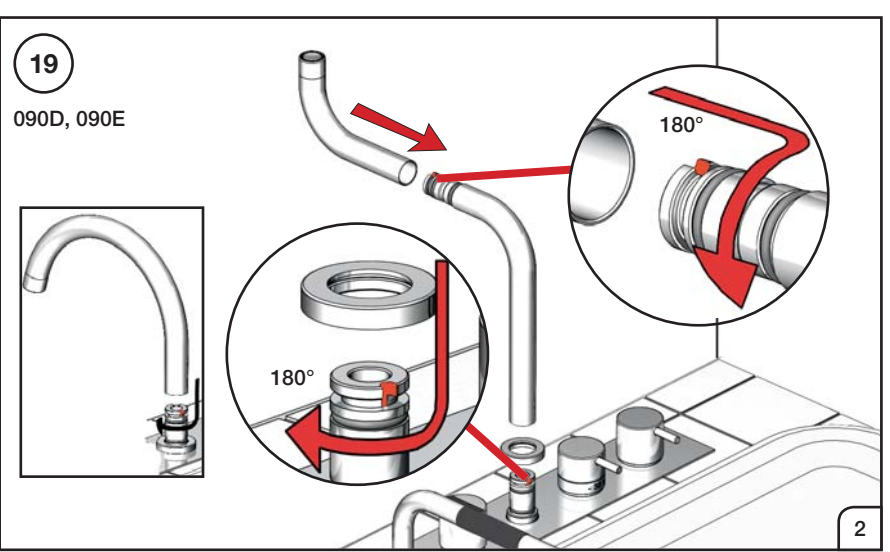
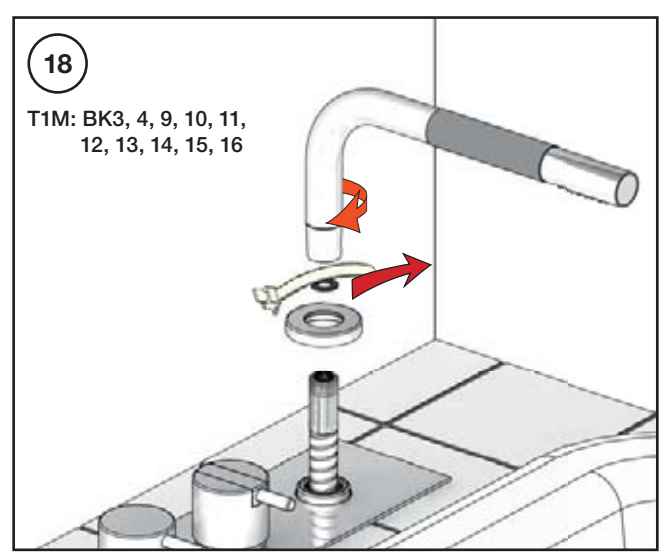
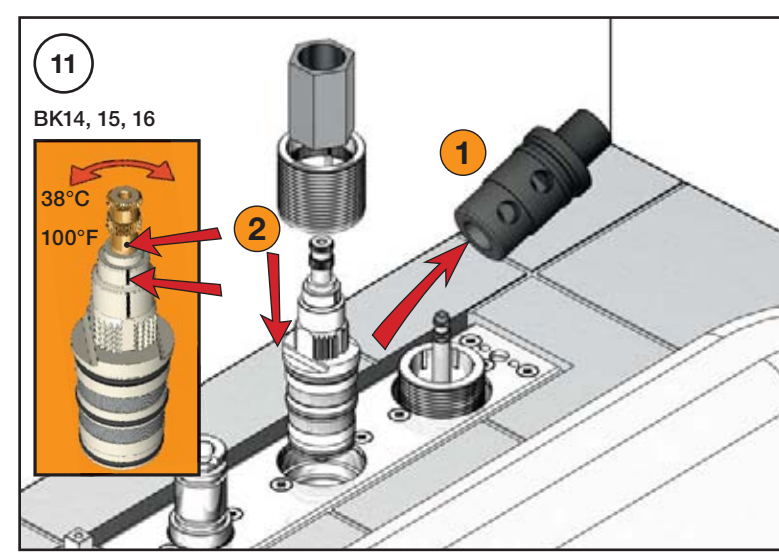
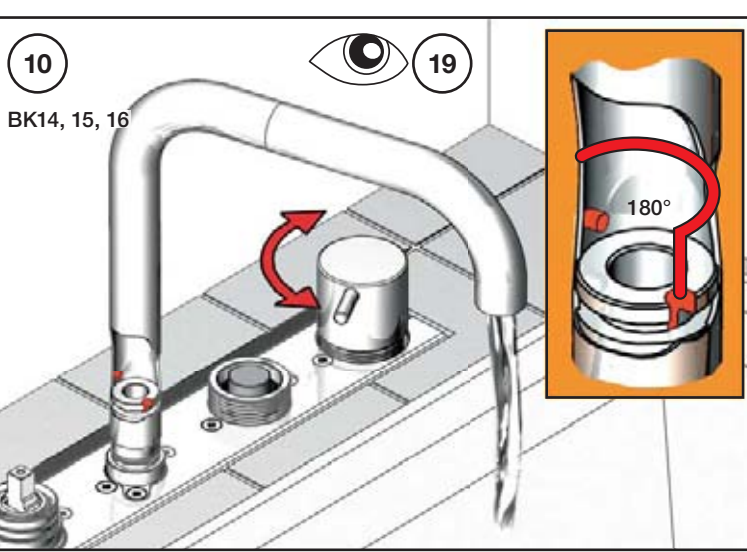
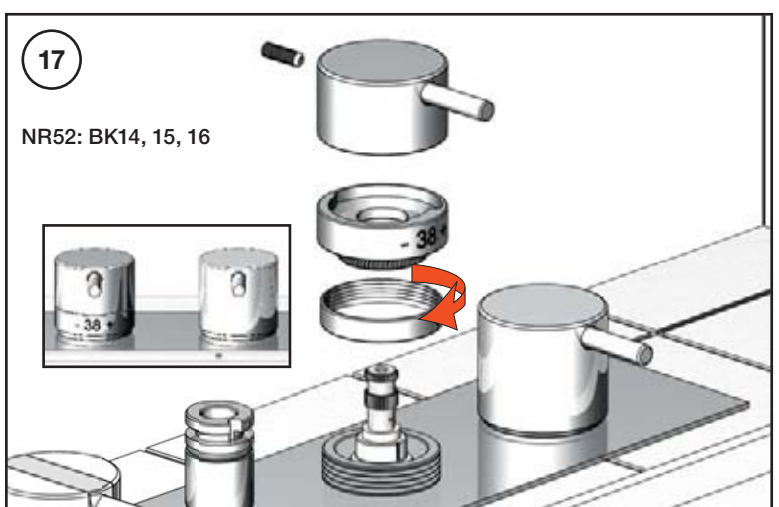
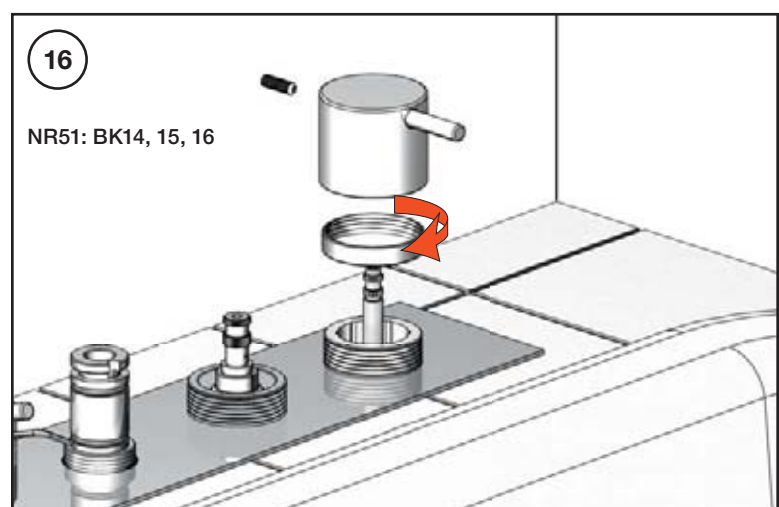
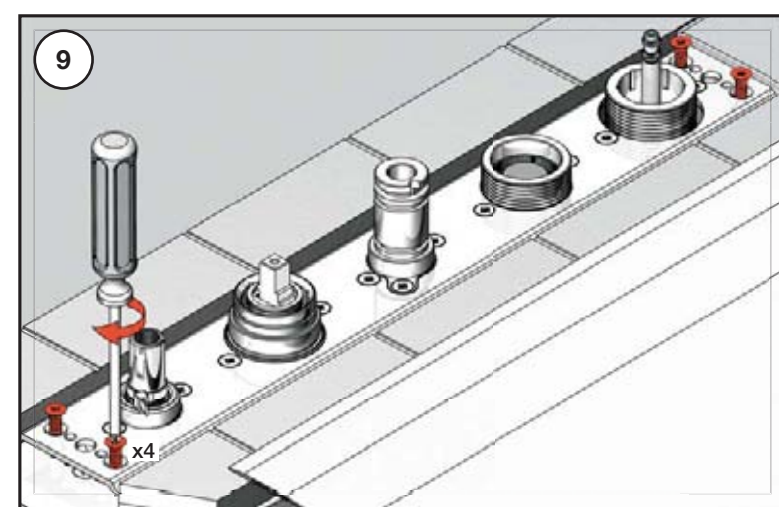
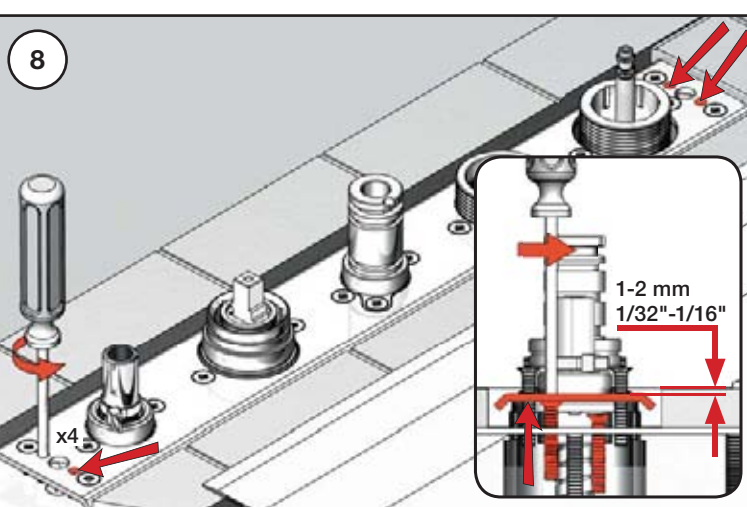
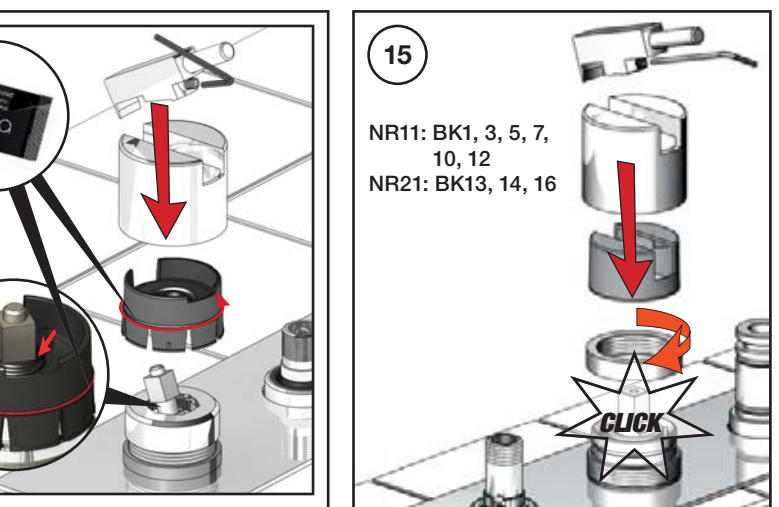
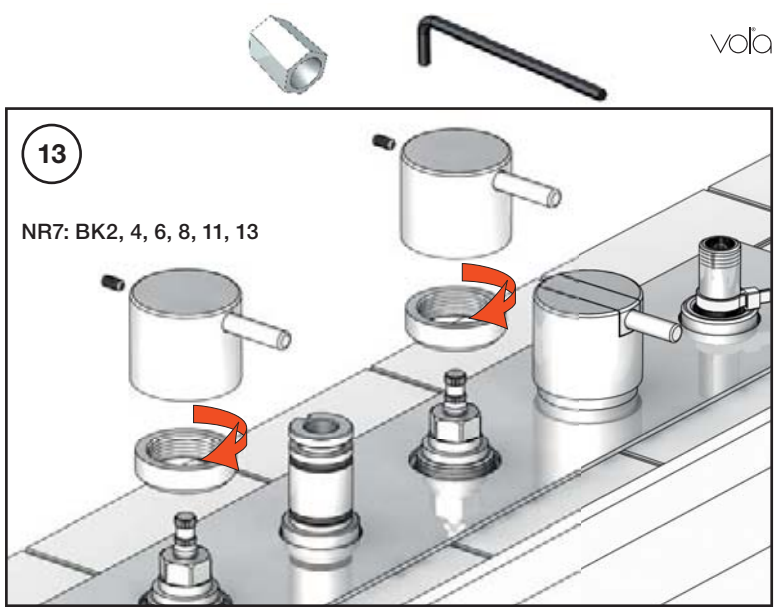
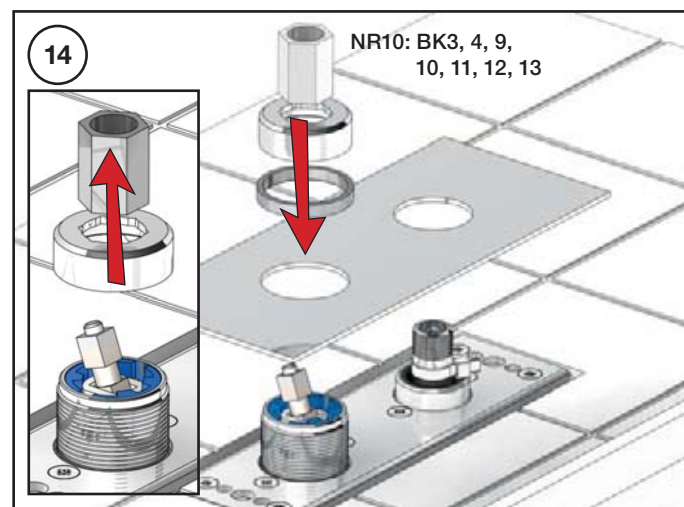
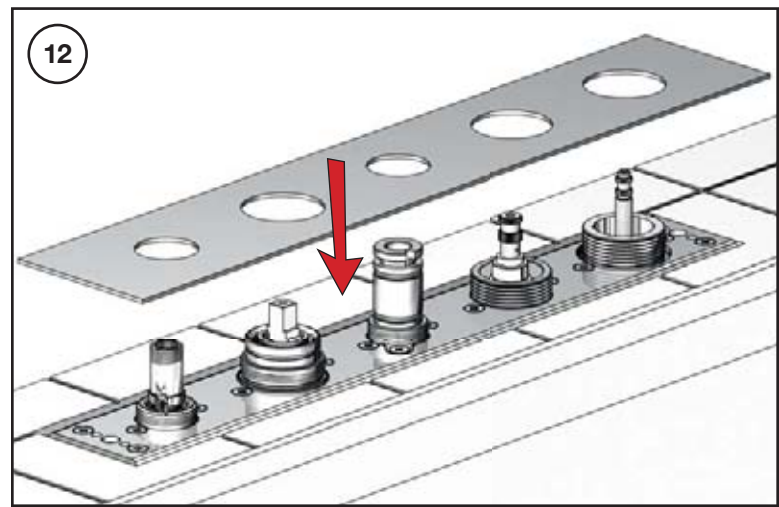


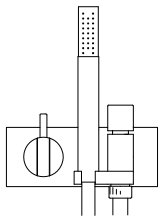
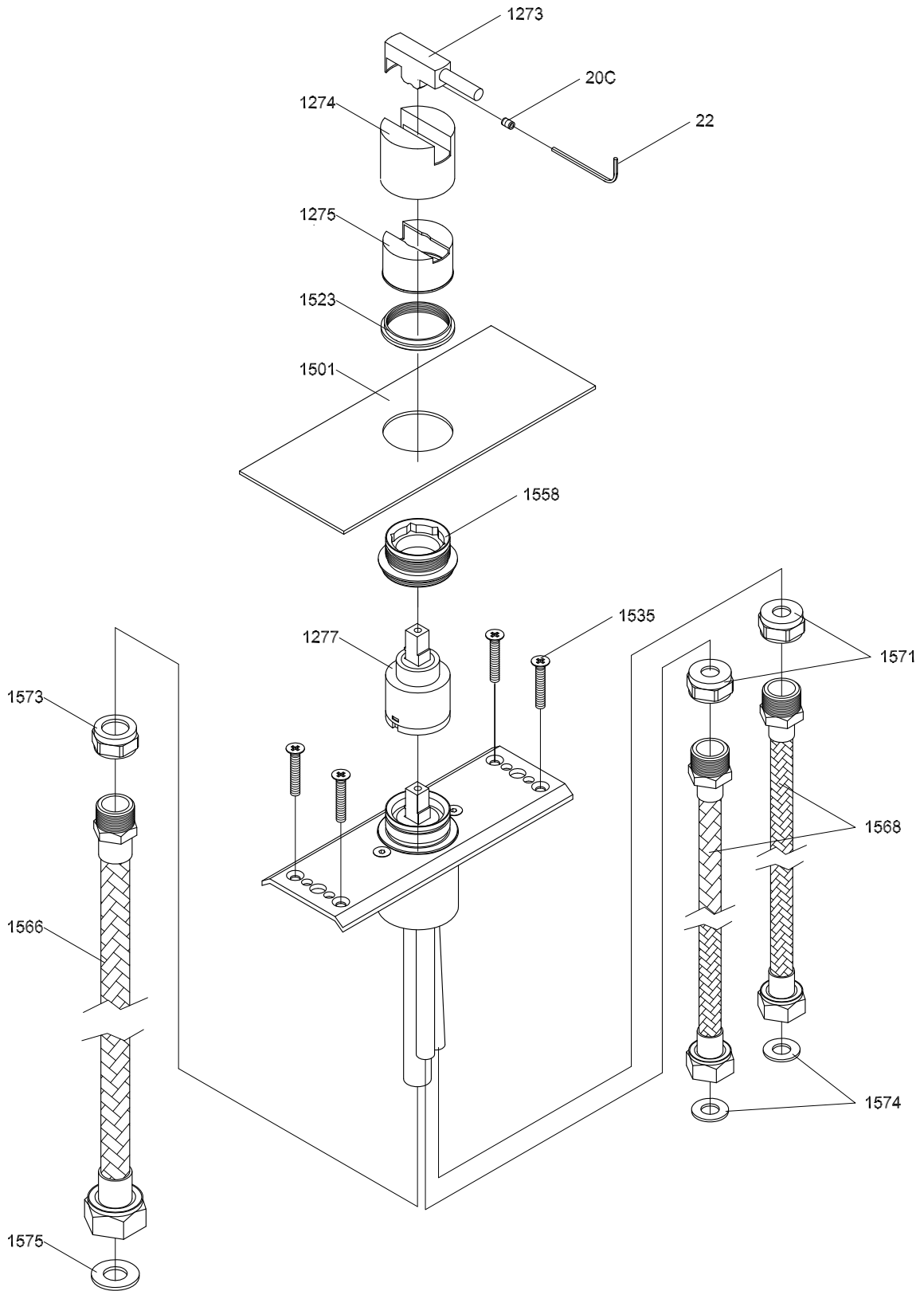
A24 + BK1, BK2, BK3, BK4, BK14:



Fitting of trim
Montage von Aufputzteilen
Montage van de afbouwdeelen

Montering af greb
Montering af greb
Montage des parties visibles





VOLA A/S
 Lunavej 2
 DK-8700 Horsens
 Tlf : +45 70235500
 Fax: +45 70235511
 sales@vola.dk
 www.vola.com

VOLA BK1

Dato:
 Okt. 96
 Rev:
 0
 Blad:
 SB65