

Date:

Client:

Project:

VOLA product: 2401

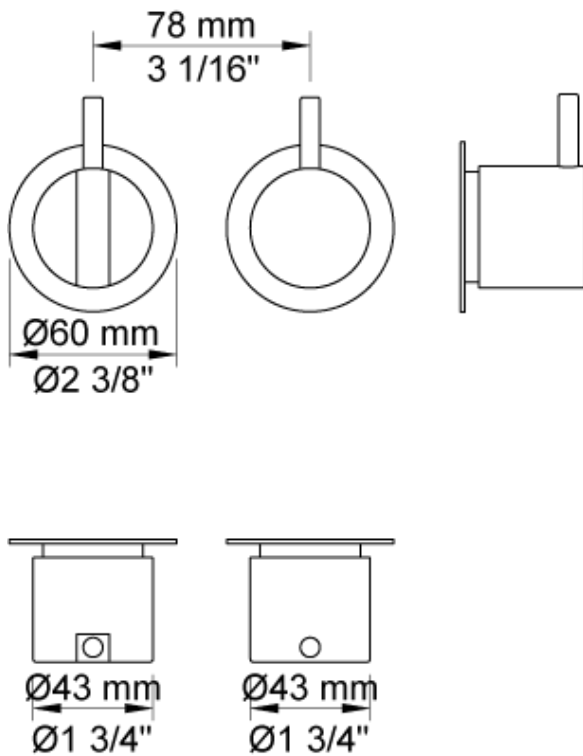


**2401**

One handle build in mixer with ceramic disc technology and diverter.  
 2401UP = Build-in mixer 2400V.2401AP = Handle NR21, handle NR24G, 60 mm circular flanges 001, 2001.A24 sold separately.

**Flow**

	<b>Bar:</b>	<b>1.0</b>	<b>2.0</b>	<b>3.0</b>	<b>4.0</b>	<b>5.0</b>
2401	(l/min)	12.7	18.0	22.0	25.4	28.4



**Available in colors**

- Color 02, Grey
- Color 04, Light blue
- Color 05, Orange
- Color 06, Light green
- Color 08, Yellow
- Color 09, Dark grey
- Color 12, Mocca
- Color 14, Bright red
- Color 15, Dark blue
- Color 16, Polished chrome
- Color 17, Gloss black
- Color 18, White
- Color 19, Natural brass
- Color 20, Brushed chrome
- Color 21, Carmine red
- Color 25, Pink
- Color 27, Matt black
- Color 40, Brushed stainless steel

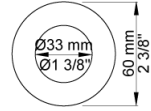
Date:

Client:

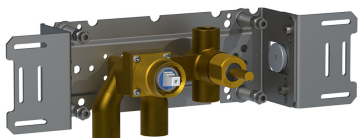
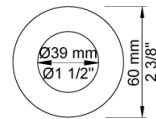
Project:



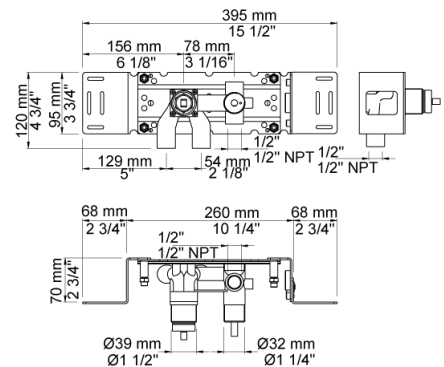
**001**  
60 mm circular flange. Hole Ø33 mm.



**2001**  
60 mm circular flange. Hole Ø39 mm.



**2400V**  
One-handle build-in mixer for high flow, with diverter. 1/2" connection to copper, steel, iron or pex pipe work.



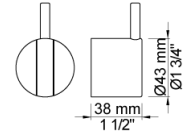
Date:

Client:

Project:



**NR21**  
Operating handle for 2100, 2200, 2300, 2400 incl. variants. Ø43 mm.



**NR24G**  
Diverter handle for 2400 incl. variants. Ø43 mm. With peg in the same colour as handle (Standard).

