

Date:

Client:

Project:

VOLA product: 2441DT8-081

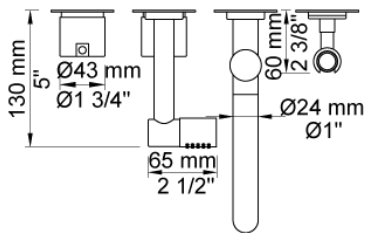
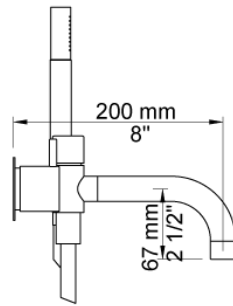
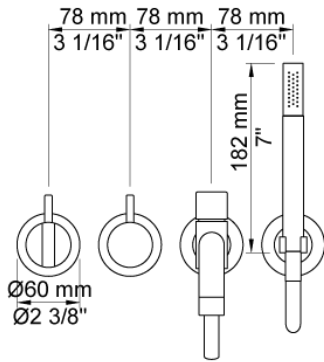
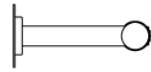


2441DT8-081

One-handle build-in mixer with ceramic disc technology and diverter. 2441DT8-081UP = Build-in mixer 2400N. 2441DT8-081AP = Handle NR21, handle NR24G, 115 mm head shower 080, 200 mm bath spout with diverter for hand shower, incl. hand shower 040D, 4 pcs. 60 mm circular flange 001, 2001, hand shower holder T8.

Flow

	Bar:	1.0	2.0	3.0	4.0	5.0
040D	(l/min)	8.7	12.3	15.0	17.3	19.4
T2	(l/min)	5.5	7.8	9.5	11.0	12.3
080	(l/min)	6.9	9.8	12.0	13.9	15.5



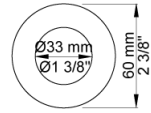
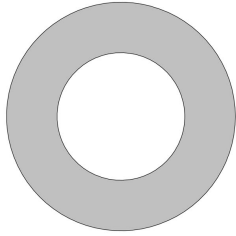
Available in colors

- Color 02, Grey
- Color 04, Light blue
- Color 05, Orange
- Color 06, Light green
- Color 08, Yellow
- Color 09, Dark grey
- Color 12, Mocca
- Color 14, Bright red
- Color 15, Dark blue
- Color 16, Polished chrome
- Color 17, Gloss black
- Color 18, White
- Color 19, Natural brass
- Color 20, Brushed chrome
- Color 21, Carmine red
- Color 25, Pink
- Color 27, Matt black

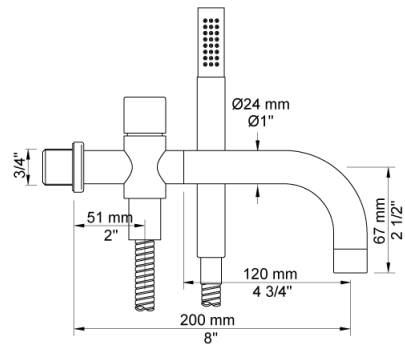
Date:

Client:

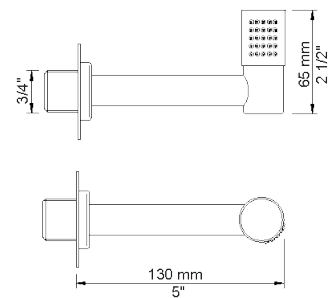
Project:



001
60 mm circular flange. Hole Ø33 mm.



040D
200 mm bath spout with diverter for handshower. Dimension Ø24 mm. Incl. hand shower T2.



080
130 mm head shower. 60 mm cover flange included.

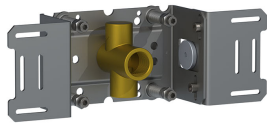
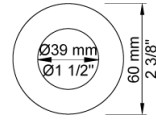
Date:

Client:

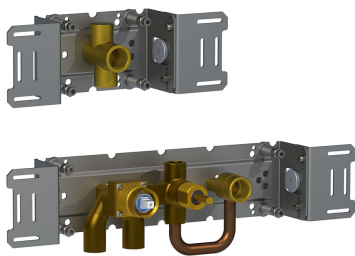
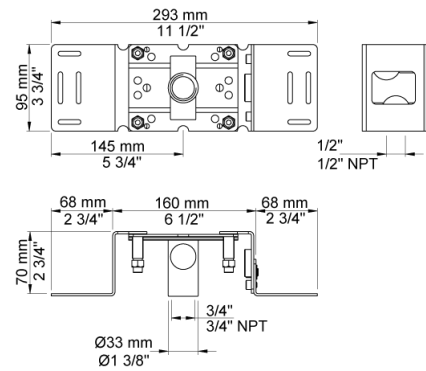
Project:



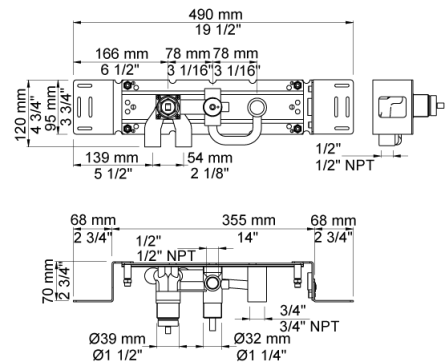
2001
60 mm circular flange. Hole Ø39 mm.



200M
Separate outlet socket. 1/2" connection to copper, steel, iron or pex pipe work.



2400N
One-handle build-in mixer for high flow, with diverter, with one premounted outlet socket, and one separate outlet socket, 200M. 1/2" connection to copper, steel, iron or pex pipe work.



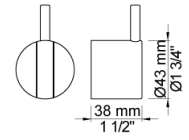
Date:

Client:

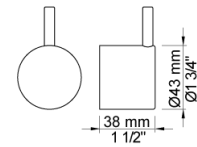
Project:



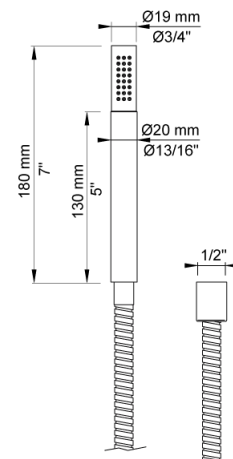
NR21
Operating handle for 2100, 2200, 2300, 2400 incl. variants. Ø43 mm.



NR24G
Diverter handle for 2400 incl. variants. Ø43 mm. With peg in the same colour as handle (Standard).



T2
Hand shower with 1.5 m hose.



Date:

Client:

Project:



T8
Hand shower holder for low mounting.

