

Date:

Client:

Project:

VOLA product: 2112C

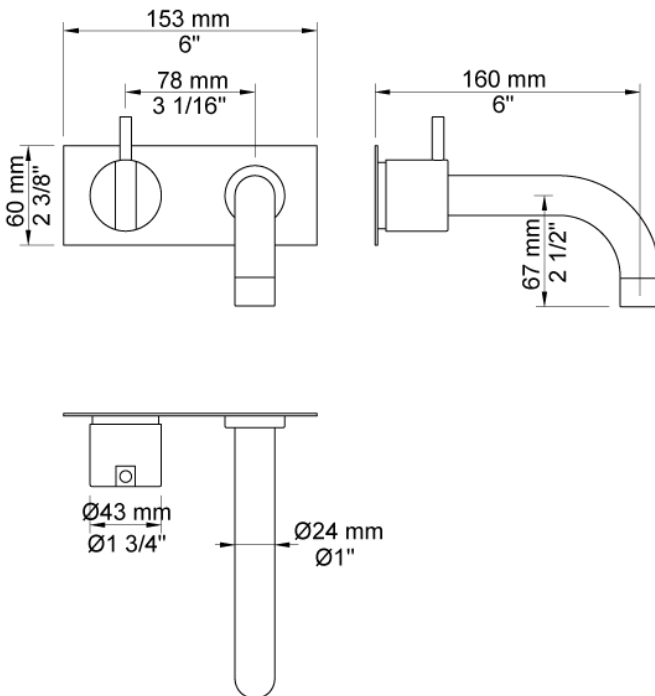


2112C

One-handle build-in mixer with ceramic disc technology. 2112CUP = Mixer 2100. 2112CAP = Handle NR21, 160 mm fixed spout 010C, two-hole plate 60 x 153 mm 2002.

Flow

	Bar:	1.0	2.0	3.0	4.0	5.0
010C	(l/min)	10.4	14.7	18.0	20.8	23.2



Available in colors

- Color 02, Grey
- Color 04, Light blue
- Color 05, Orange
- Color 06, Light green
- Color 08, Yellow
- Color 09, Dark grey
- Color 12, Mocca
- Color 14, Bright red
- Color 15, Dark blue
- Color 16, Polished chrome
- Color 17, Gloss black
- Color 18, White
- Color 19, Natural brass
- Color 20, Brushed chrome
- Color 21, Carmine red
- Color 25, Pink
- Color 27, Matt black
- Color 40, Brushed stainless steel



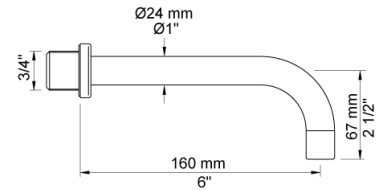
Date:

Client:

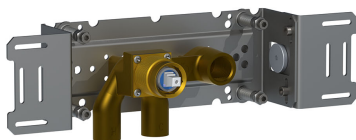
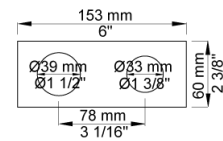
Project:



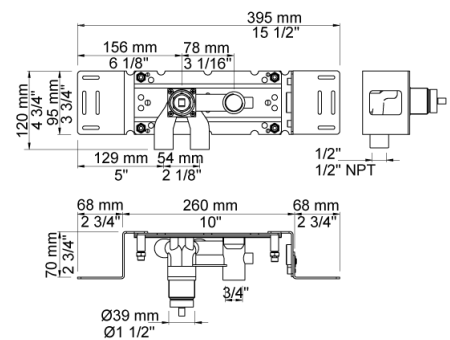
010C
160 mm fixed spout for high flow.



2002
Two-hole plate, 60 x 153 mm. Holes Ø39 and Ø33 mm.



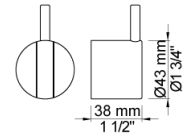
2100
One-handle build-in mixer for high flow, with fixed outlet socket. 1/2" connection to copper, steel, iron or pex pipe work.



Date:

Client:

Project:



NR21
Operating handle for 2100, 2200, 2300, 2400 incl. variants. Ø43 mm.