

Date:

Client:

Project:

VOLA product: 2143DT8



2143DT8

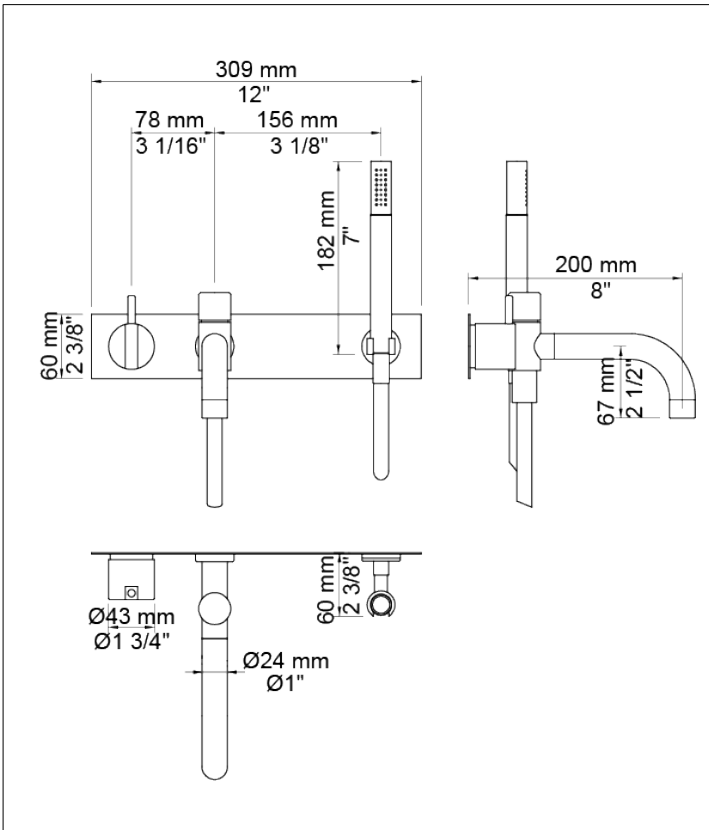
One-handle build-in mixer with ceramic disc technology. 2143DT8UP = Mixer 2100. 2143DT8AP = Handle NR21, 200 mm bath spout with diverter for hand shower 040D, three-hole plate 60 x 309 mm 2003, hand shower holder T8.

Flow

	Bar:	1.0	2.0	3.0	4.0	5.0
040D	(l/min)	9.5	13.5	16.5	19.1	21.3
T2	(l/min)	5.8	8.2	10.0	11.6	12.9

Available in colors

- Color 02, Grey
- Color 04, Light blue
- Color 05, Orange
- Color 06, Light green
- Color 08, Yellow
- Color 09, Dark grey
- Color 12, Mocca
- Color 14, Bright red
- Color 15, Dark blue
- Color 16, Polished chrome
- Color 17, Gloss black
- Color 18, White
- Color 19, Natural brass
- Color 20, Brushed chrome
- Color 21, Carmine red
- Color 25, Pink
- Color 27, Matt black



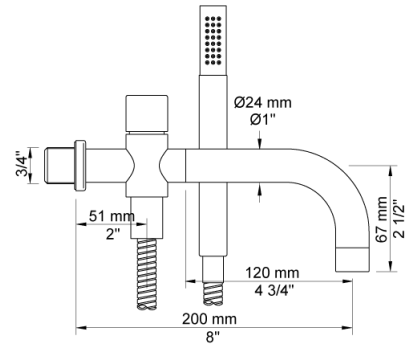
Date:

Client:

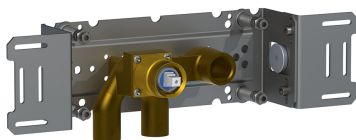
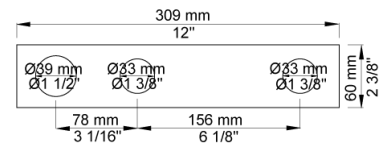
Project:



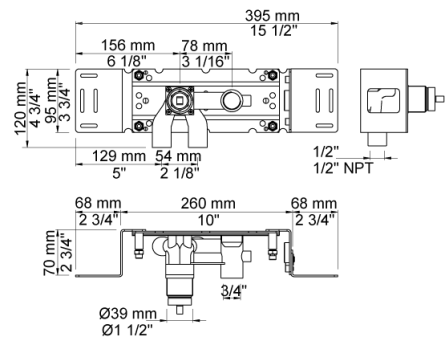
040D
200 mm bath spout with diverter for handshower. Dimension Ø24 mm.
Incl. hand shower T2.



2003
Three-hole plate, 60 x 309 mm. Holes Ø39, Ø33 and Ø33 mm.



2100
One-handle build-in mixer for high flow, with fixed outlet socket. 1/2" connection to copper, steel, iron or pex pipe work.



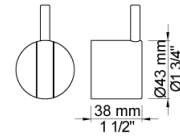
Date:

Client:

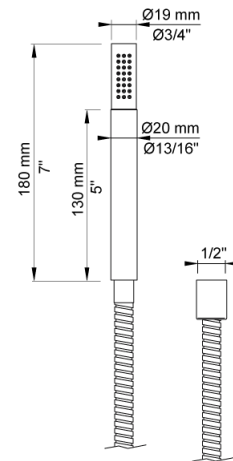
Project:



NR21
Operating handle for 2100, 2200, 2300, 2400 incl. variants. Ø43 mm.



T2
Hand shower with 1.5 m hose.



T8
Hand shower holder for low mounting.

