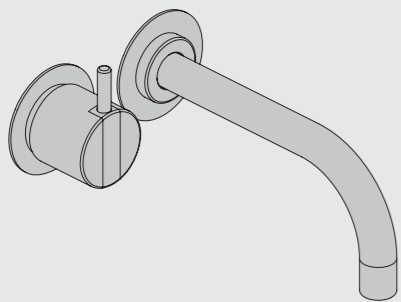


VOLA 100, 100X, 200, 200V, 300
 VOLA 400DV, 400, 400V, 400N, 400NV, 400T
 VOLA 400TV, 400F, 400FV, 400R, 400RV
 VOLA 2100, 2100X, 2200, 2200V, 2300, 2400
 VOLA 2400V, 2400N, 2400NV, 2400T, 2400TV
 VOLA 2400F, 2400FV, 2400R, 2400RV

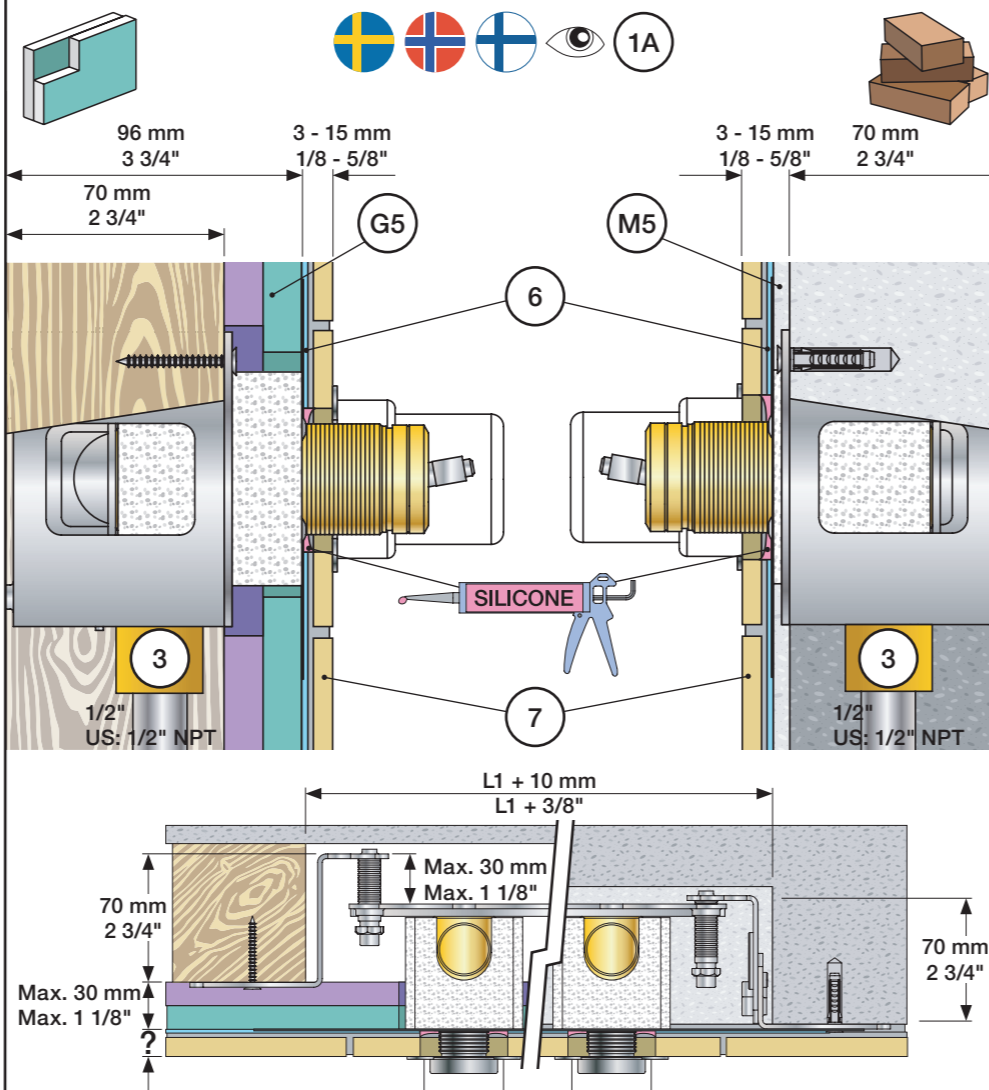


Fitting instruction
 Montageanleitung
 Monteringsvejledning

Monteringsvægledning
 Montage hanledning
 Manuel de montage



www.vola.com
 100-2100_V11 40999996

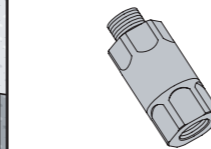


Data, 3 Bar/43.5 Psi:

| | l/min. | Gal./min. | |
|--------|--------|-----------|------------------|
| 100: | 18,3 | 4.8 | Max. 65°C, 150°F |
| 400V: | 15,6 | 4.1 | |
| 2100: | 25,2 | 6.7 | |
| 2400V: | 22,2 | 5.9 | |

Max.: 10 Bar/145 psi

DE: Bitte separat beiliegende Anleitung für die Schalldämpfer VR1249 beachten

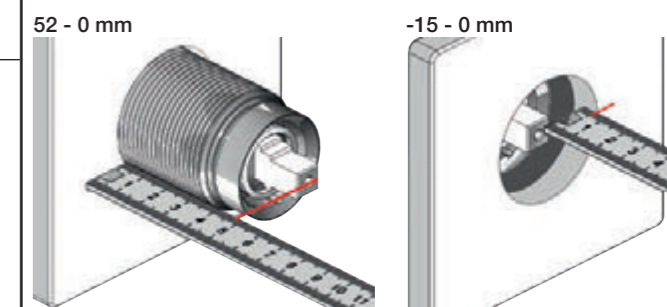


Extension Verlängerung
 Forlængerdele Förlängning
 Verlengstukken Modification

| | 100/200/300/400 | VR1264 | VR1400 | VR2019 |
|-----------|-----------------|--------|--------|--------|
| Tiles: | 3 - 15 mm Std. | Std. | Std. | Std. |
| Fliesen: | 15 - 25 mm +10 | +10 | +10 | +10 |
| Fliser: | 25 - 35 mm +20 | +20 | +20 | +20 |
| Tegels: | 35 - 45 mm +30 | +30 | +30 | +30 |
| Carreaux: | 45 - 55 mm +40 | +40 | +40 | +40 |
| | 55 - 65 mm +50 | +50 | +50 | +50 |

| | 2100/2200/2300/2400 | VR2250 | VR1400 | VR2019 |
|-----------|---------------------|--------|--------|--------|
| Tiles: | 3 - 15 mm Std. | Std. | Std. | Std. |
| Fliesen: | 15 - 25 mm +10 | +10 | +10 | +10 |
| Fliser: | 25 - 35 mm +20 | +20 | +20 | +20 |
| Tegels: | 35 - 45 mm +30 | +30 | +30 | +30 |
| Carreaux: | 45 - 55 mm +40 | +40 | +40 | +40 |
| | 55 - 65 mm +50 | +50 | +50 | +50 |

Extension, retrofit
 Verlängerung, nachträglicher Einbau
 Forlængerdele, eftermontering
 Förlängning, eftermontering
 Aanpassing na montage
 Modification après installation

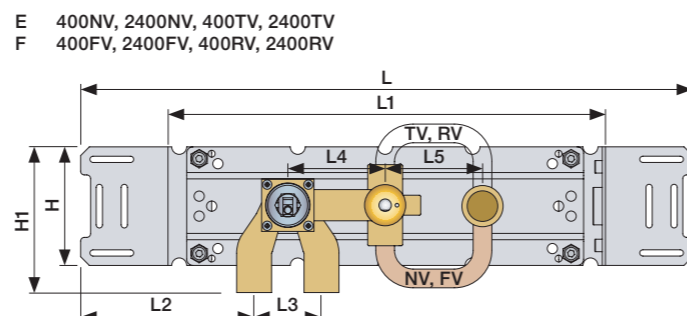
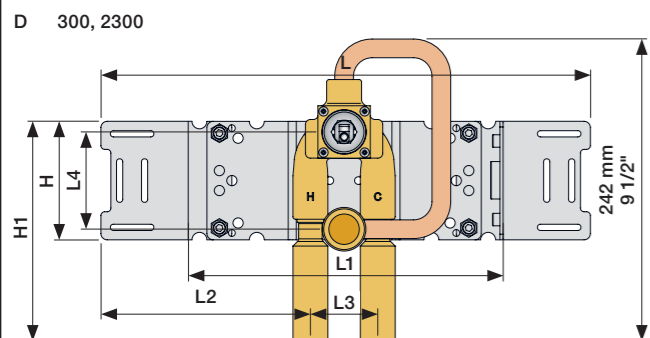
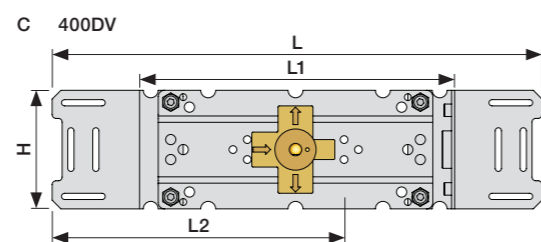
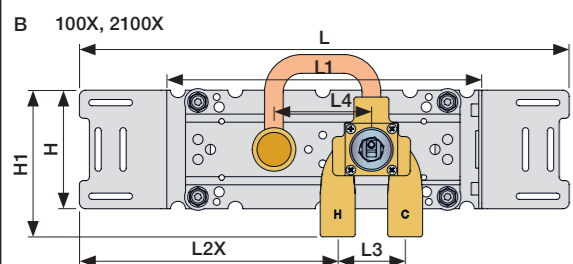
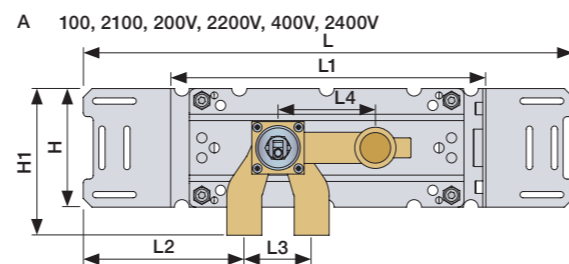


| | 100/200/300/400 | VR1264 | VR1400 | VR2019 |
|--|-----------------|--------|--------|--------|
| | 40 - 52 mm Std. | Std. | Std. | Std. |
| | 30 - 40 mm +10 | +10 | +10 | +10 |
| | 20 - 30 mm +20 | +20 | +20 | +20 |
| | 10 - 20 mm +30 | +30 | +30 | +30 |
| | 0 - 10 mm +40 | +40 | +40 | +40 |
| | -10 - 0 mm +50 | +50 | +50 | +50 |

| | 2100/2200/2300/2400 | VR2250 | VR1400 | VR2019 |
|--|---------------------|--------|--------|--------|
| | 35 - 47 mm Std. | Std. | Std. | Std. |
| | 25 - 35 mm +10 | +10 | +10 | +10 |
| | 15 - 25 mm +20 | +20 | +20 | +20 |
| | 5 - 15 mm +30 | +30 | +30 | +30 |
| | -5 - 5 mm +40 | +40 | +40 | +40 |
| | -15 - -5 mm +50 | +50 | +50 | +50 |

| | L | L1 | L2 | L3 | L4 | L5 | H | H1 |
|---|-------------------|---------------|------------------|-----------------|------------------|------------------|---|------------------|
| A | | | 129 mm 5" | | | - | | 120 mm 4 3/4" |
| B | 395 mm 15 1/2" | 260 mm 10" | 207 mm 8 1/8" | | | - | | - |
| C | | | 234 mm 9 1/4" | 54 mm 2 1/8" | 78 mm 3 1/16" | | | - |
| D | | | 168 mm 6 5/8" | | | | | 175 mm 6 7/8" |
| E | 490 mm 19 1/2" | 355 mm 14" | | | | 78 mm 3 1/16" | | 120 mm 4 3/4" |
| F | 570 mm 23" | 435 mm 17" | 139 mm 5 1/2" | | | 156 mm 6 1/8" | | |

200: 200V + 200M
 400: 400V + 2 x 200M
 2400: 2400V + 2 x 200M
 400N: 400NV + 200M
 2400N: 2400NV + 200M
 400T: 400TV + 200M
 2400T: 2400TV + 200M
 400F: 400FV + 200M
 2400F: 2400FV + 200M
 400R: 400RV + 200M
 2400R: 2400RV + 200M

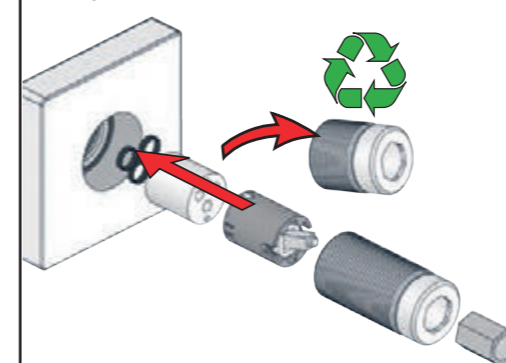


Fitting of extension
 Montage von verlängerung

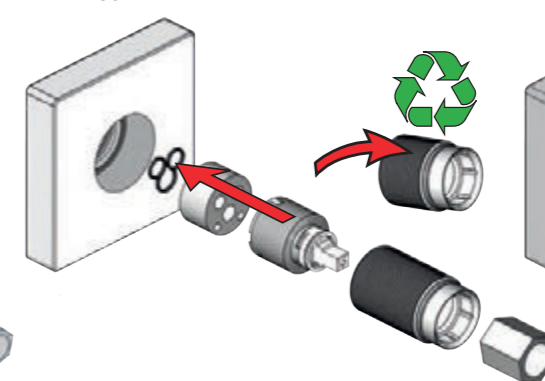
Montering af forlængerdele
 Monteringsvejledning

Montage van de verlengstukken
 Montage des rallonges

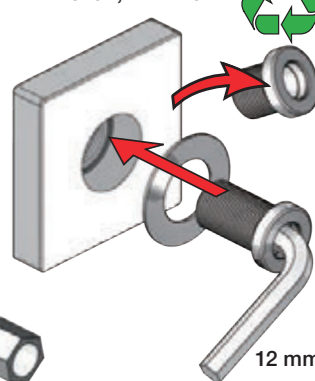
VR1264+



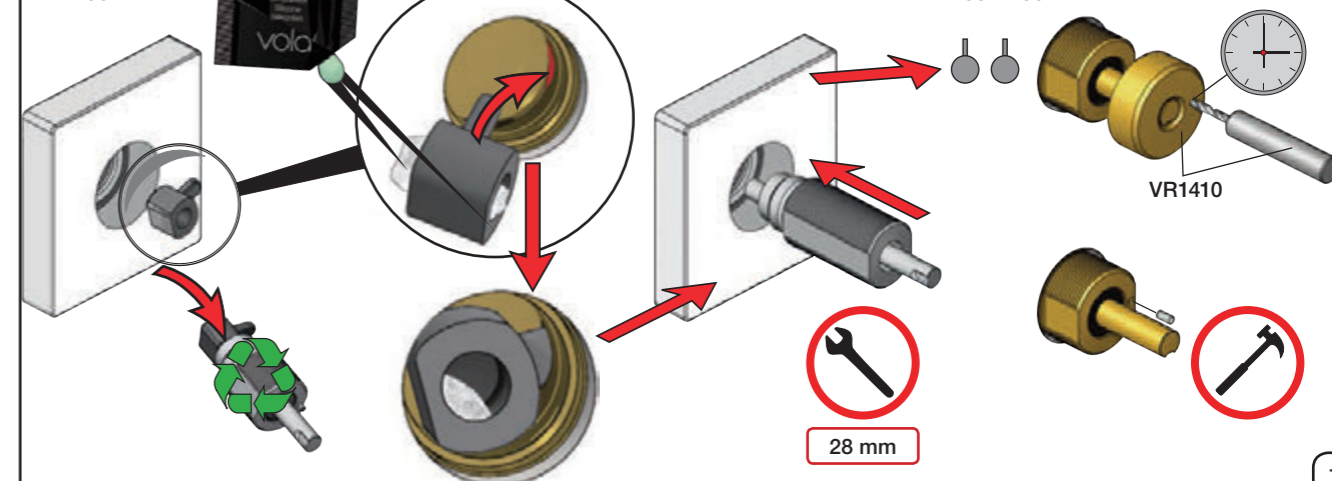
VR2250+



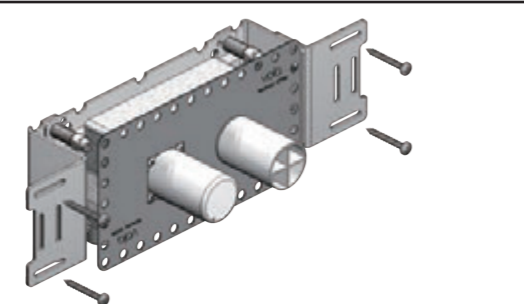
VR2019+, VR2119+



VR1400+

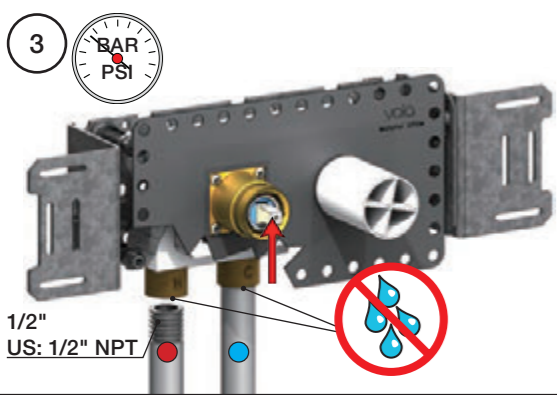
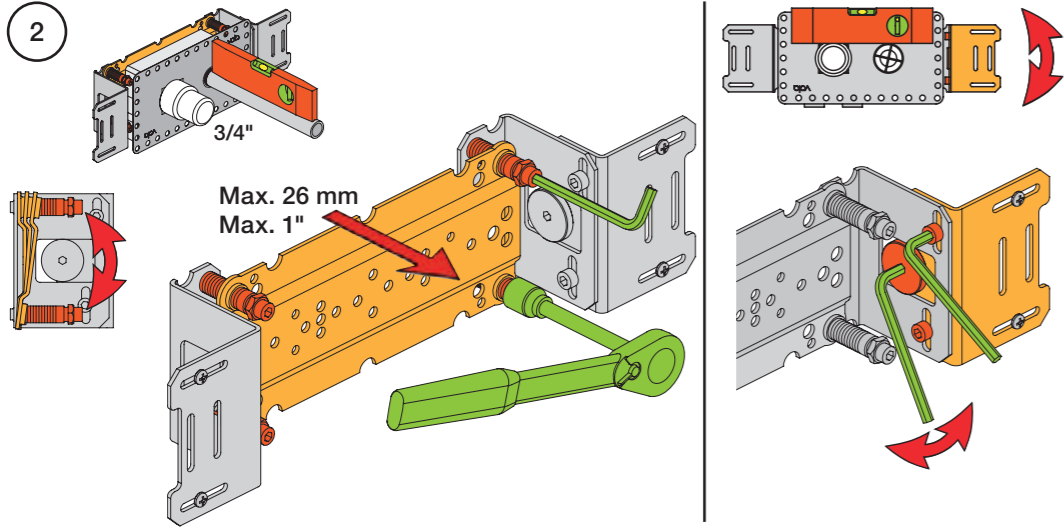
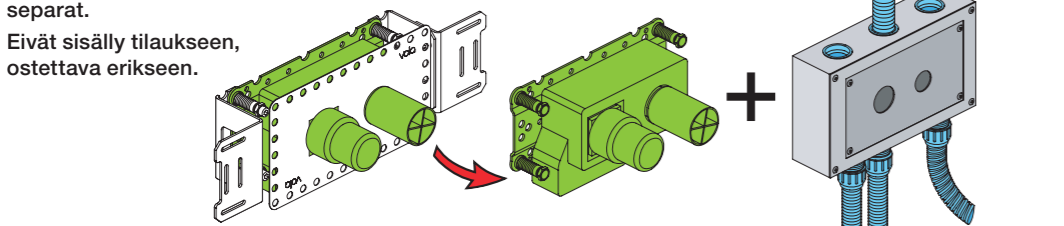


1 Check the local legislation.
 Bitte die örtlichen Vorschriften überprüfen.
 Tjek de lokale regler.
 Kontrollera lokala föreskrifter
 Nazitten lokale regelgeving.
 Vérifiez la législation locale.

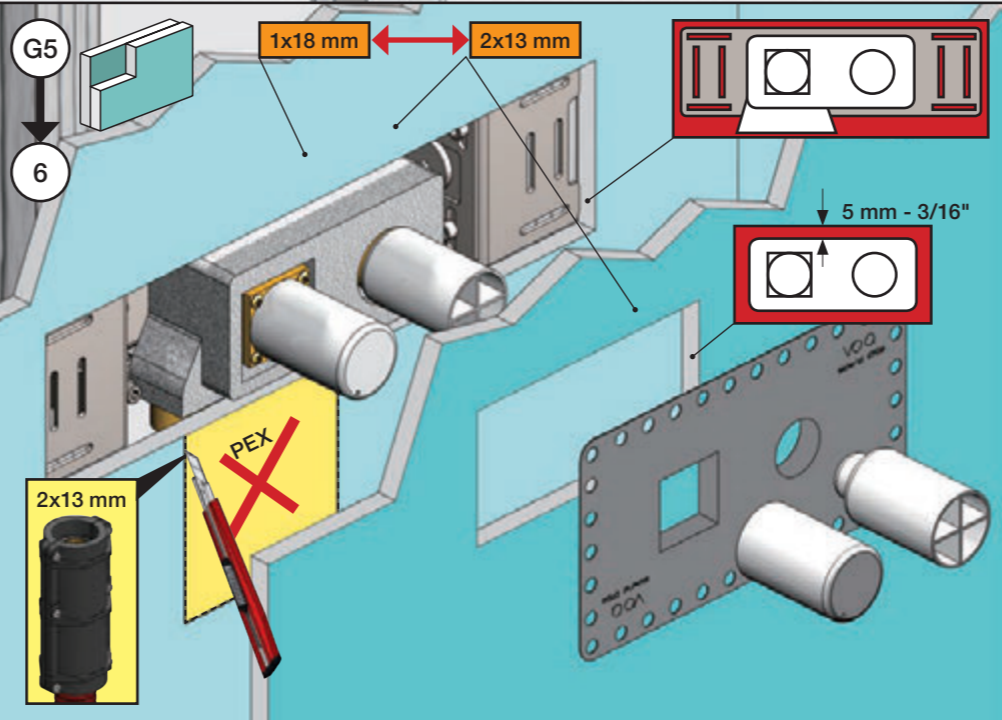
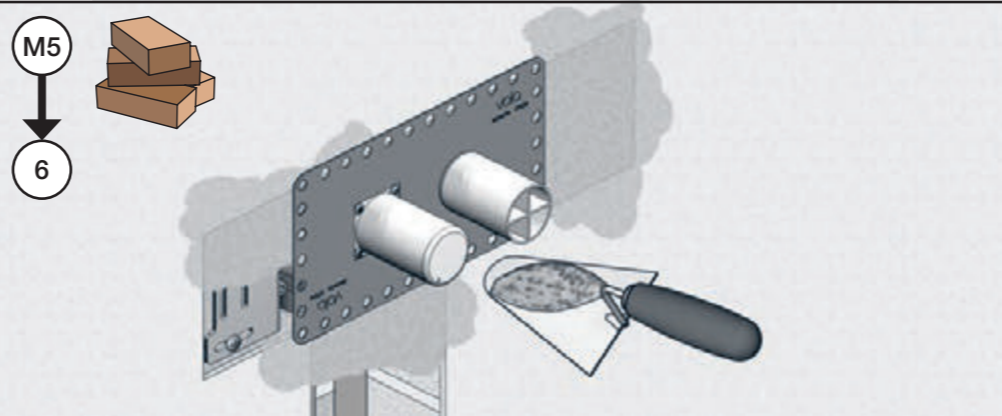
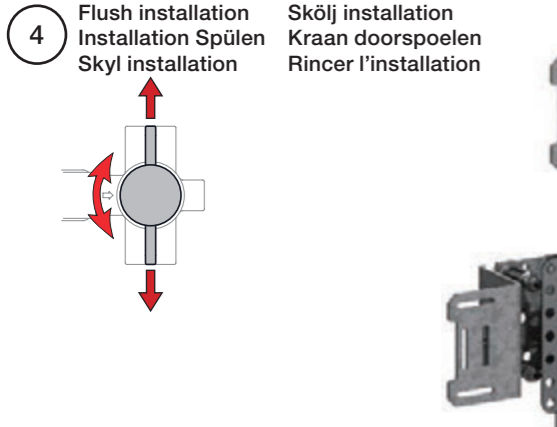


1A Box till inbyggnadsblandare.
 Boks til indbyggningsblander.
 Laatikko seinäasenteiselle sekoittajalle.

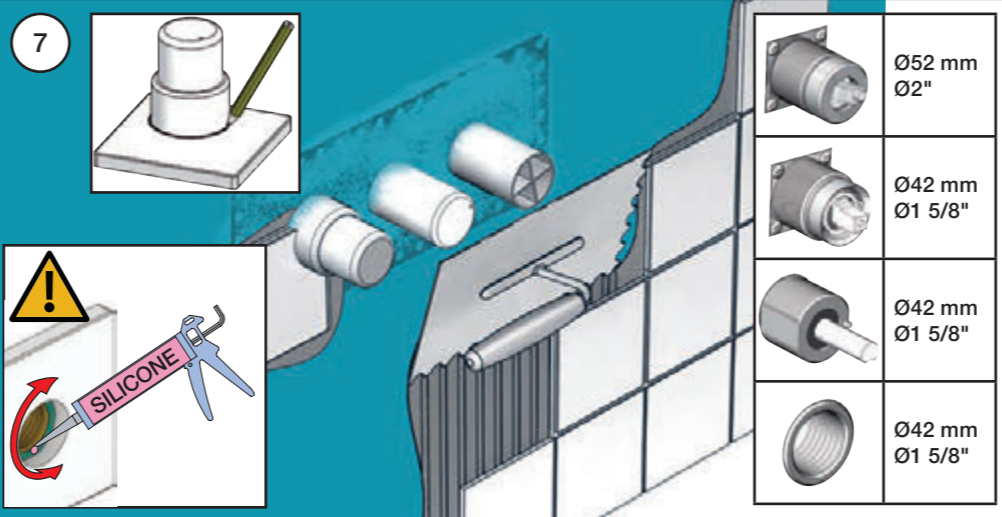
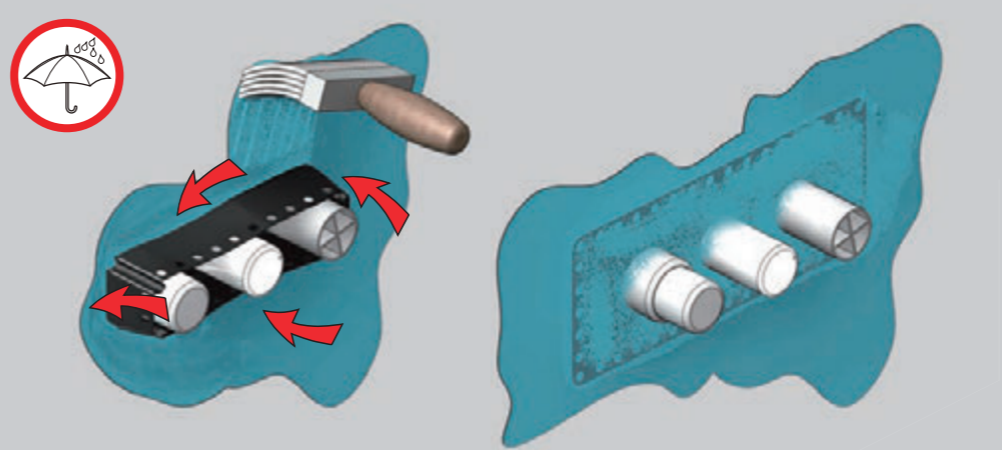
Ingår inte i leveransen
 köps separat.
 Ikke inkludert, kjøpes
 separat.
 Eivät sisälly tilaukseen,
 ostettava erikseen.



Sweden: ENDAST PEX.
 Se separat vägledning for PEX



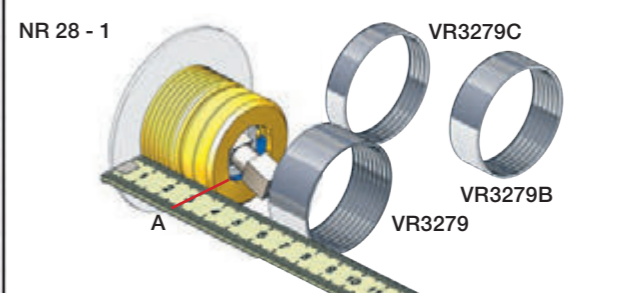
6 Waterproof membrane
 Wasserdichte Membran
 Vandtæt membran
 Vattentät membran
 Waterdicht membran
 Membrane imperable



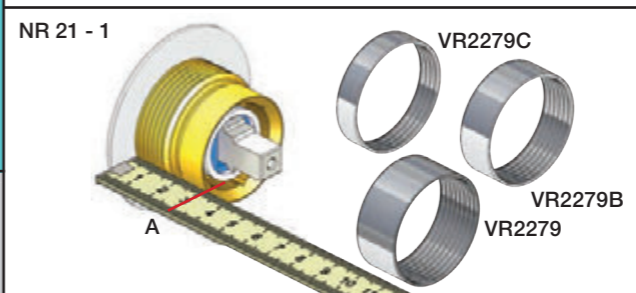
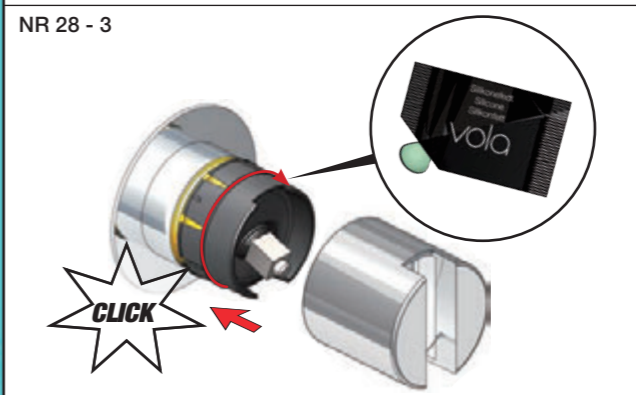
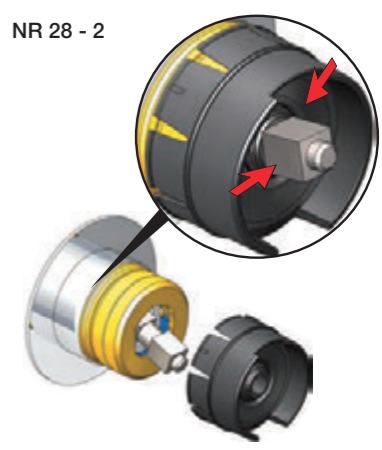
Handle assembly
 Montage vom Griffe

Montage af greb
 Montering av grepp

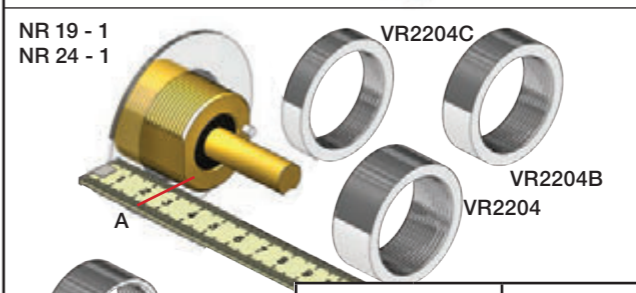
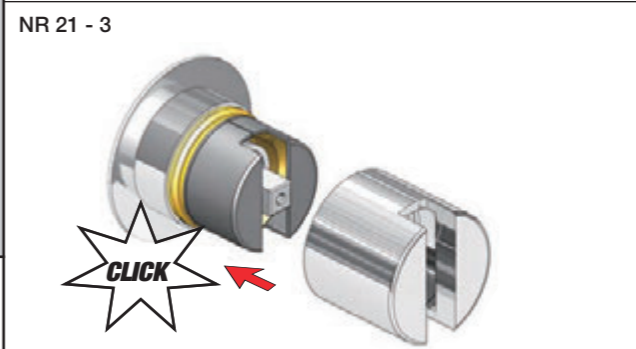
Installatie van de grip
 l'installation de poignées



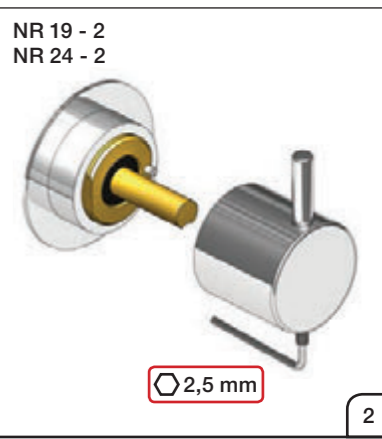
| | | A |
|---------|-------|------------|
| VR3279 | 16 mm | 31 - 36 mm |
| VR3279B | 12 mm | 27 - 32 mm |
| VR3279C | 8 mm | 23 - 28 mm |



| | | A |
|---------|-------|------------|
| VR2279 | 16 mm | 30 - 34 mm |
| VR2279B | 12 mm | 26 - 30 mm |
| VR2279C | 8 mm | 22 - 26 mm |



| | | A |
|---------|-------|------------|
| VR2204 | 16 mm | 31 - 36 mm |
| VR2204B | 12 mm | 27 - 32 mm |
| VR2204C | 8 mm | 23 - 28 mm |



VOLA 010, 020, 030, 040, 040B
VOLA 010C, 020C, 040D

Fitting instruction
 Montageanleitung
 Monteringsvejledning
 Monteringsvægledning
 Montage hanleiding
 Manuel de montage



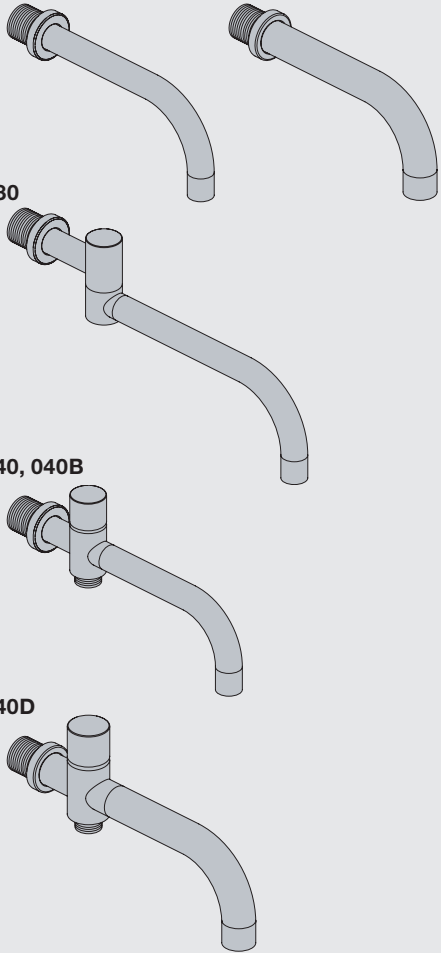
010, 020

010C, 020C

030

040, 040B

040D



www.vola.com

vola

mnt_010_V1_40998982



| Standard Flow data: | | Max. |
|---------------------|-----------|--------------------------|
| 010/020 | (l/min) | 5.0 |
| | (Gal/min) | 1.3 |
| 010C/020C | (l/min) | 30 |
| | (Gal/min) | 7.9 |
| 030 | (l/min) | 9.0 |
| | (Gal/min) | 2.0 |
| 040/040B | (l/min) | 25 |
| | (Gal/min) | 6.6 |
| 040D | (l/min) | 30 |
| | (Gal/min) | 7.9 |
| | | Max. 65°C. Max. 150°F |

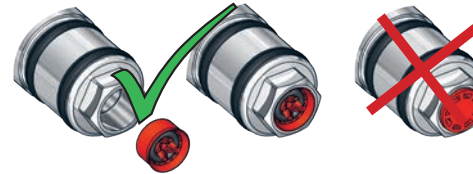


VR161:

VR161K: 7 l/min - 1.8 Gal/min

VR161D: 9 l/min - 2.5 Gal/min

VR161F: 14 l/min - 3.7 Gal/min



For more water saving possibilities please see:

Weitere Wassersparmöglichkeiten finden Sie auf:

For flere vandbesparende muligheder se venligst:

För mer vattenbesparande möjligheter hänvisas till:

Voor meer waterbesparende mogelijkheden zie:

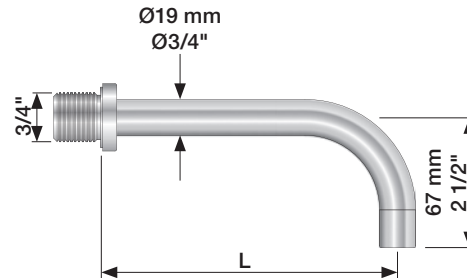
Pour plus d'informations sur les options : économie d'eau, voir le site:



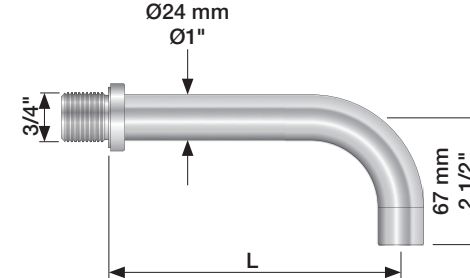
www.vola.com



010, 020

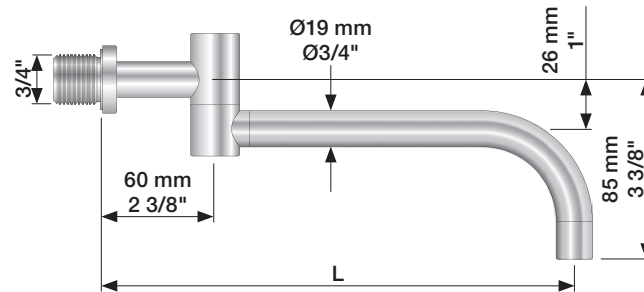


010C, 020C



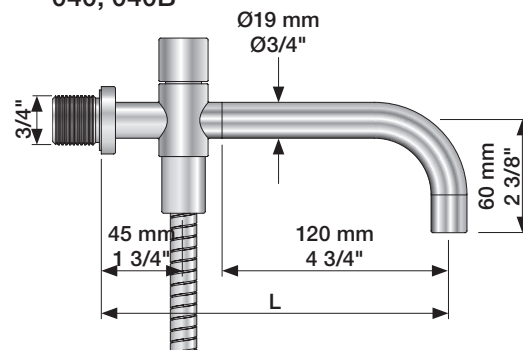
| | L (mm) | L (Inch) |
|------------|--------|----------|
| 010(C)/100 | 100 | 4" |
| 010(C)/130 | 130 | 5" |
| 010(C)/160 | 160 | 6" |
| 020(C)/200 | 200 | 7 3/4" |
| 020(C)/225 | 225 | 8 3/4" |
| 020(C)/260 | 260 | 10 1/4" |
| 020(C)/300 | 300 | 11 3/4" |

030

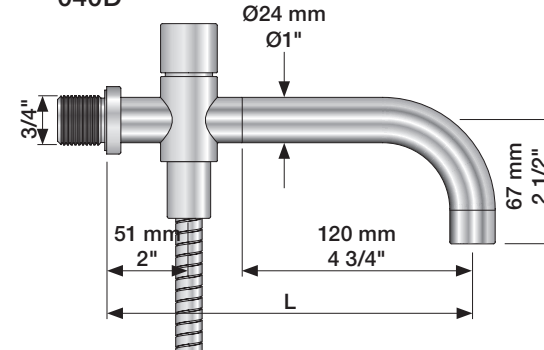


| | L (mm) | L (Inch) |
|---------|--------|----------|
| 030/200 | 200 | 7 3/4" |
| 030/250 | 250 | 9 3/4" |
| 030/300 | 300 | 11 3/4" |
| 030/350 | 350 | 13 3/4" |

040, 040B



040D

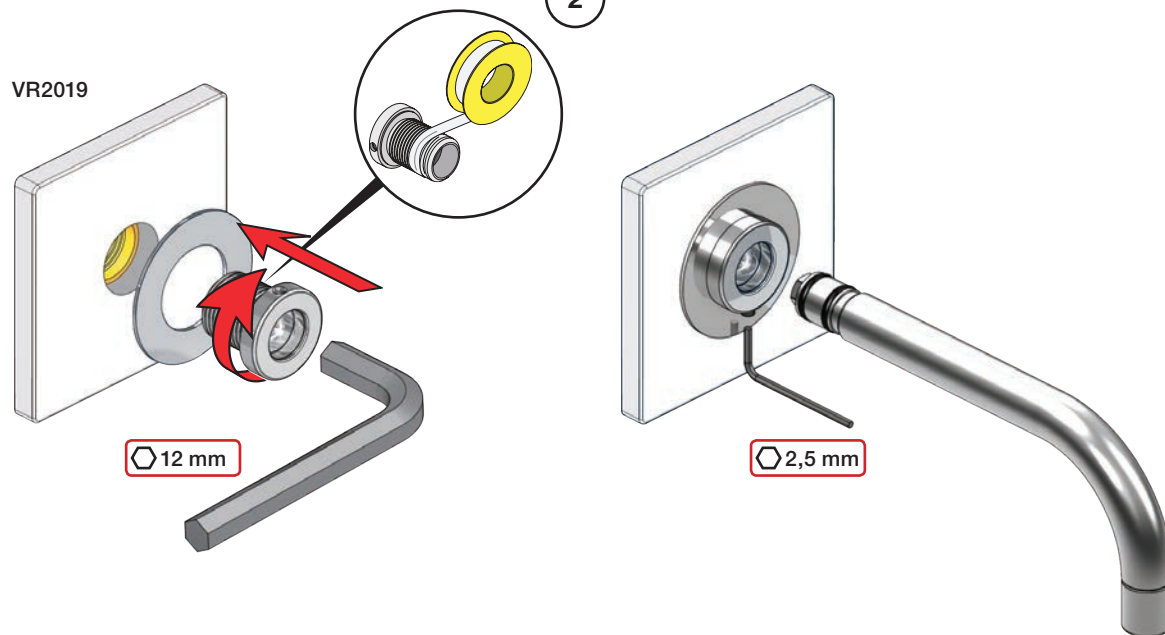
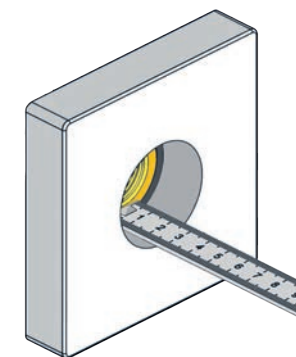


| | L (mm) | L (Inch) |
|----------|--------|----------|
| 040 | 185 | 7 3/4" |
| 040B | 235 | 9 3/4" |
| 040D | 200 | 7 3/4" |
| 040D/250 | 250 | 9 3/4" |
| 040D/300 | 300 | 11 3/4" |

1

010, 020, 030, 040, 040B

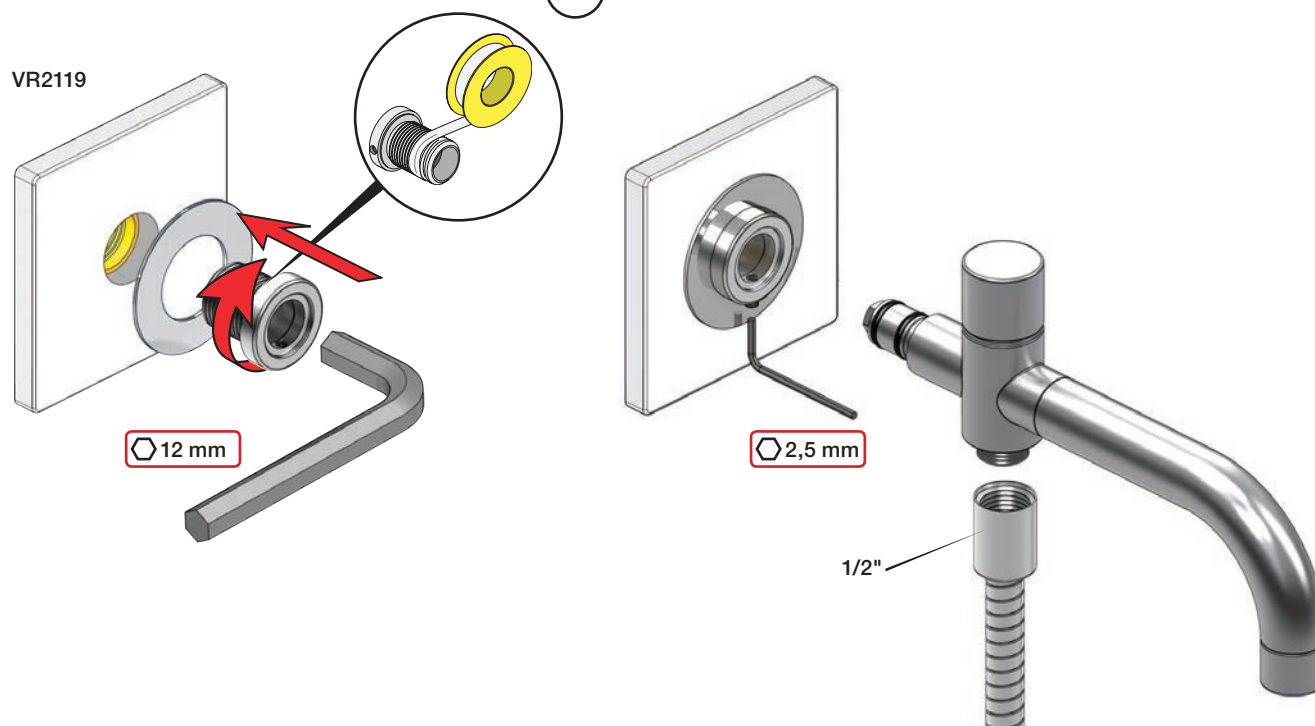
VR2019

Extension
VerlängerungForlængerdele
FörlängningVerlængstukken
Modification

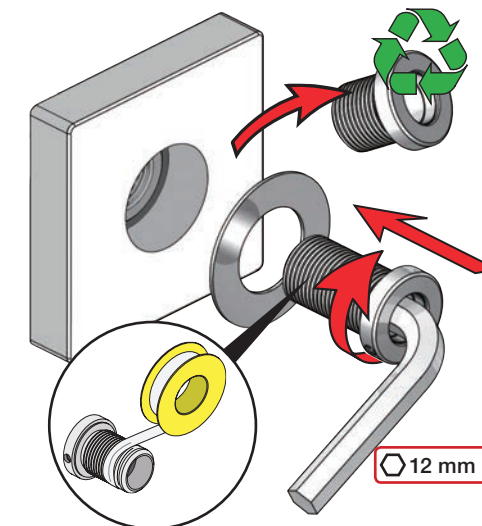
3

010C, 020C, 040D

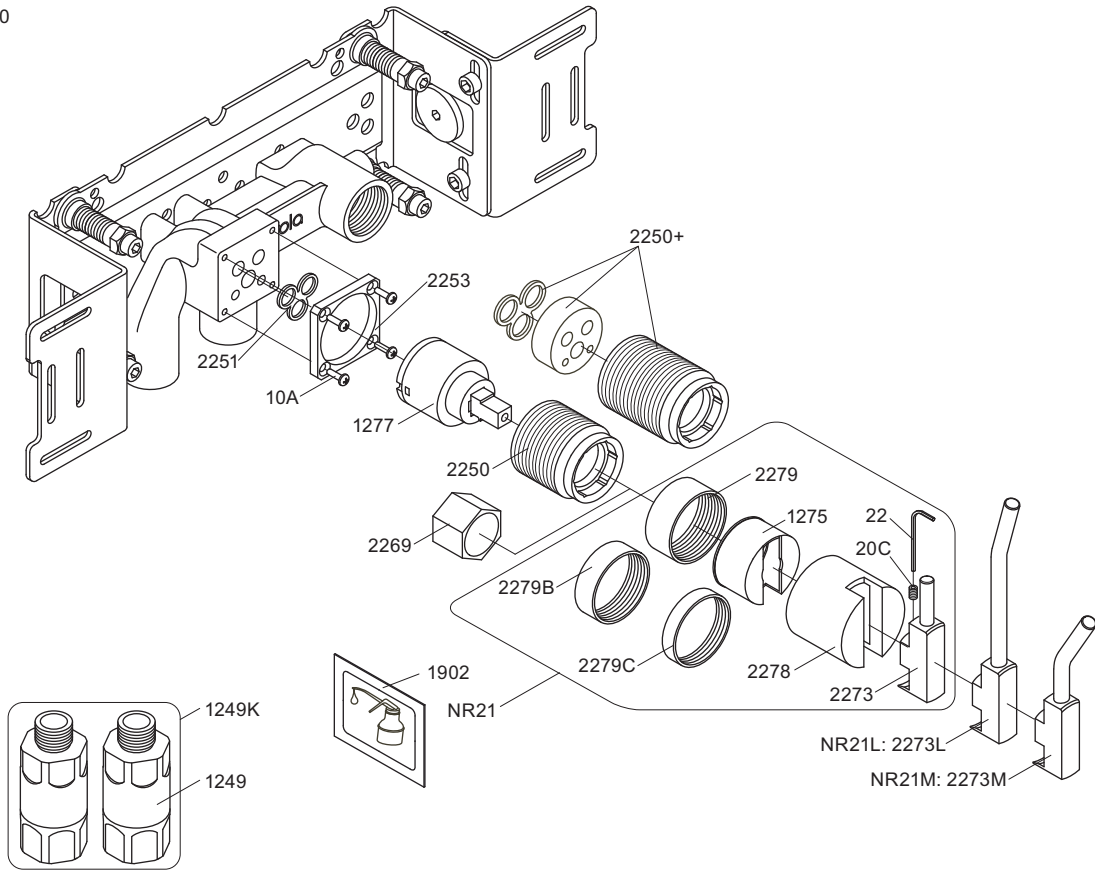
VR2119



VR2019+/VR2119+

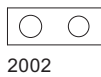
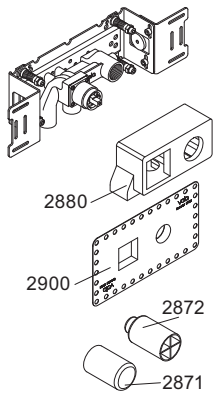


2100

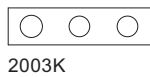
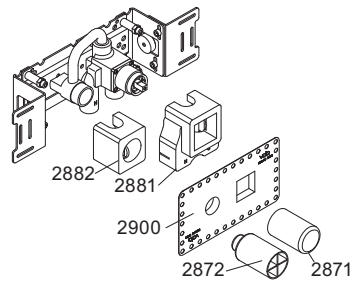


NR21: VR020C, VR22, VR1275, VR2269, VR2273, VR2278, VR2279, VR2279B, VR2279C
 VR1277K: VR22, VR1277, VR2269

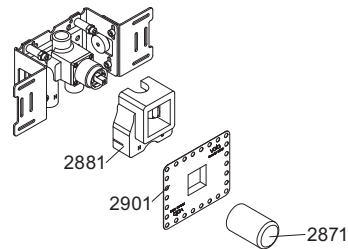
2100



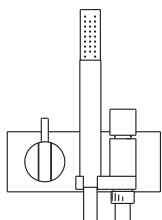
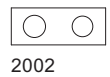
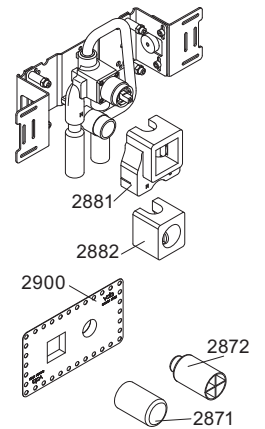
2100X



2200V



2300



VOLA A/S
 Lunavej 2
 DK-8700 Horsens
 Tlf : + 45 7023 5500
 Fax: + 45 7023 5511
 sales@vola.com
 www.vola.com

VOLA 2100
 2100X, 2200V, 2300

Dato

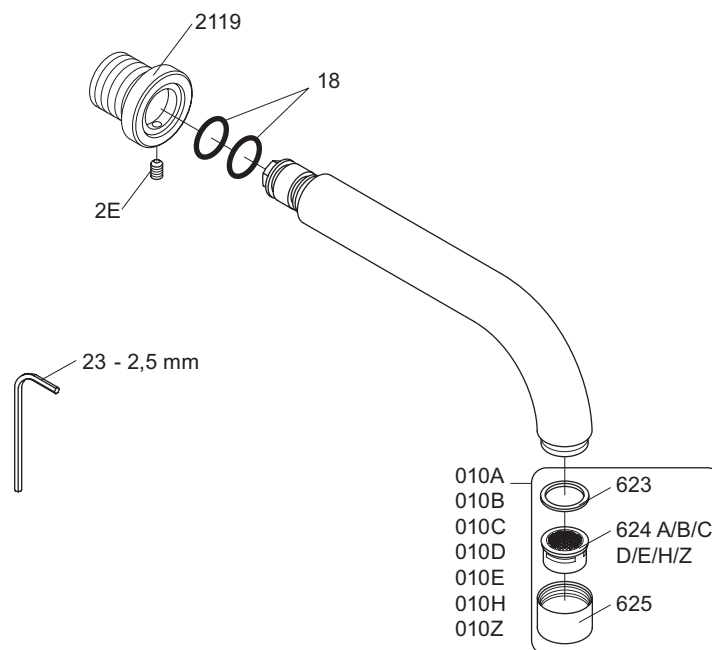
Feb. 10

Rev.

1

Blad

SB 10.7



VR010A: VR623, VR624A
 VR010B: VR623, VR624B
 VR010C: VR623, VR624C
 VR010D: VR623, VR624D
 VR010E: VR623, VR624E
 VR010H: VR623, VR624H
 VR010Z: VR623, VR624Z



vola
 Lunavej 2
 DK-8700 Horsens
 Tlf : + 45 7023 5500
 Fax: + 45 7023 5511
 sales@vola.com
 www.vola.com

VOLA 010C/020C

Date
Oct. 16

Rev.
1

Sheet
SB 11.1