

Date:

Client:

Project:

VOLA product: 644DT8

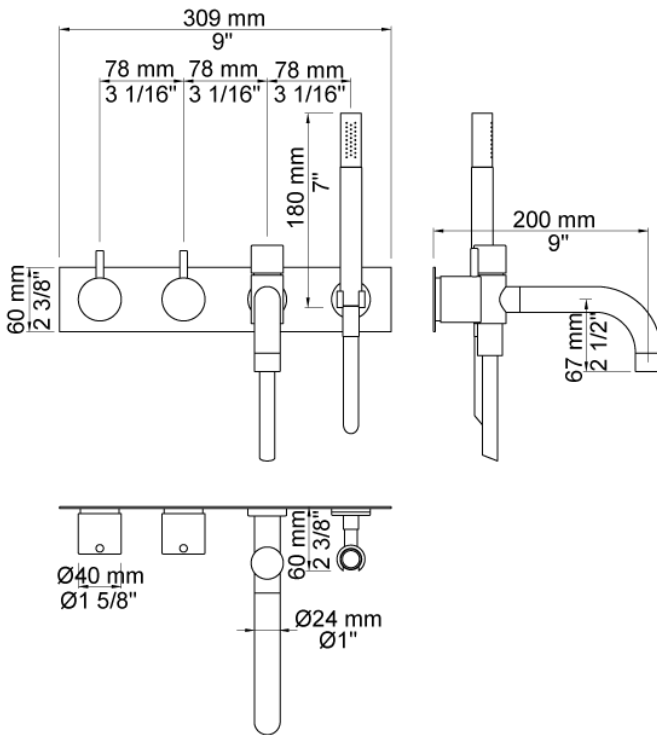


644DT8

Two-handle build-in mixer with ¼ turn ceramic disc technology. 644DT8UP = Build-in mixer 600. 644DT8AP = 2 pcs. handle NR17, 200 mm bath spout with diverter for hand shower 040D, four-hole plate 60 x 309 mm 004, hand shower holder T8.

Flow

	Bar:	1.0	2.0	3.0	4.0	5.0
040D	(l/min)	12.7	18.0	22.0	25.4	28.4
T2	(l/min)	6.4	9.0	11.0	12.7	14.2



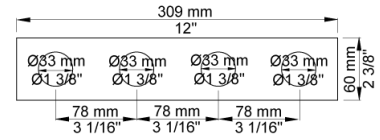
Available in colors

- Color 02, Grey
- Color 04, Light blue
- Color 05, Orange
- Color 06, Light green
- Color 08, Yellow
- Color 09, Dark grey
- Color 12, Mocca
- Color 14, Bright red
- Color 15, Dark blue
- Color 16, Polished chrome
- Color 17, Gloss black
- Color 18, White
- Color 19, Natural brass
- Color 20, Brushed chrome
- Color 21, Carmine red
- Color 25, Pink
- Color 27, Matt black

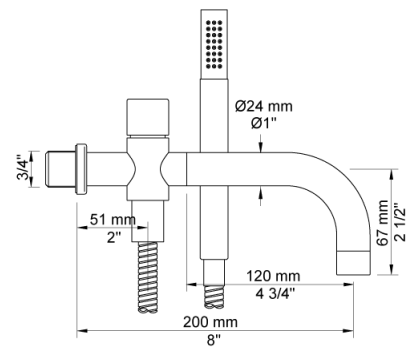
Date:

Client:

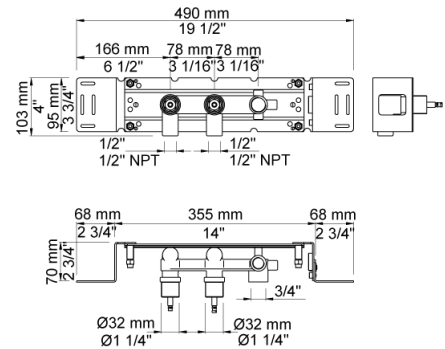
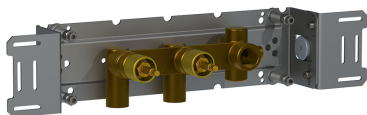
Project:



004
Four-hole plate, 60 x 309 mm. Holes Ø33 mm.



040D
200 mm bath spout with diverter for handshower. Dimension Ø24 mm. Incl. hand shower T2.



600
Two-handle build-in mixer, with fixed outlet socket. 1/2" connection to copper, steel, iron or pex pipe work.

Date:

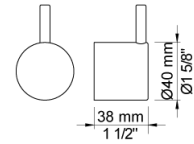
Client:

Project:



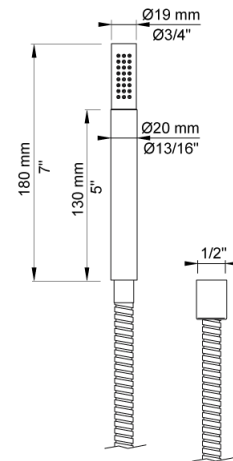
NR17

Operating handle for 600, 700, 800, 900, 1500, 2800, 2900, S20, S21, S40, S42 incl. variants. Ø40 mm.



T2

Hand shower with 1.5 m hose.



T8

Hand shower holder for low mounting.

