

Date:

Client:

Project:

VOLA product: 5141DT8T4

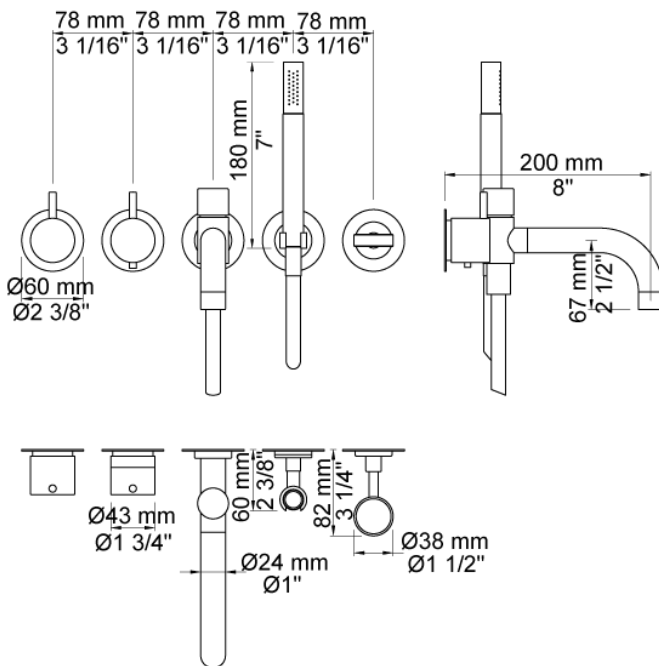


5141DT8T4

¾" thermostatic mixer. 5141DT8T4UP = Thermostatic mixer
 5100.5141DT8T4AP = Handle NR51, handle NR52, 200 mm bath spout
 with diverter for hand shower 040D, 2 pcs. 60 mm circular flanges 2001,
 3 pcs. 60 mm circular flanges 001, hand shower holder for low mounting
 T8, soap ring T4.

Flow

	Bar:	1.0	2.0	3.0	4.0	5.0
040D	(l/min)	15.0	21.2	26.0	30.0	30.0
T2	(l/min)	6.6	9.4	11.5	13.3	14.9



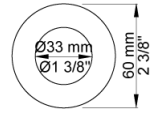
Available in colors

- Color 02, Grey
- Color 04, Light blue
- Color 05, Orange
- Color 06, Light green
- Color 08, Yellow
- Color 09, Dark grey
- Color 12, Mocca
- Color 14, Bright red
- Color 15, Dark blue
- Color 16, Polished chrome
- Color 17, Gloss black
- Color 18, White
- Color 19, Natural brass
- Color 20, Brushed chrome
- Color 21, Carmine red
- Color 25, Pink
- Color 27, Matt black

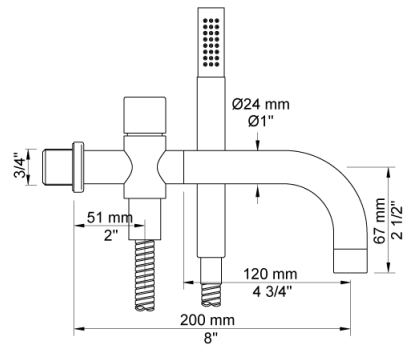
Date:

Client:

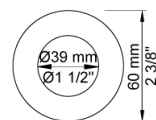
Project:



001
60 mm circular flange. Hole Ø33 mm.



040D
200 mm bath spout with diverter for handshower. Dimension Ø24 mm.
Incl. hand shower T2.

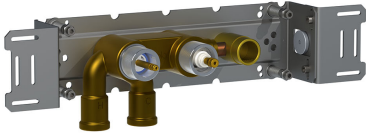


2001
60 mm circular flange. Hole Ø39 mm.

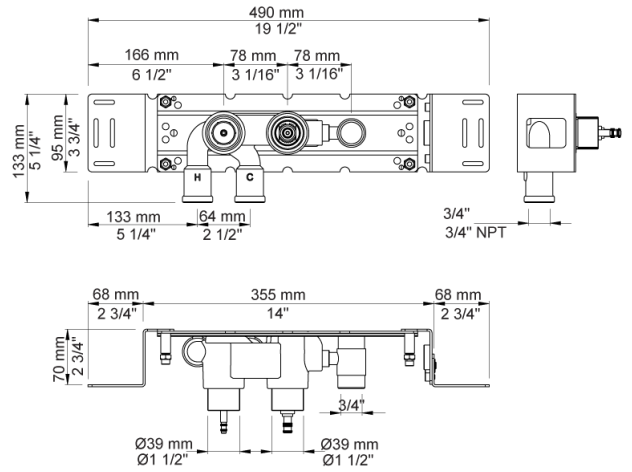
Date:

Client:

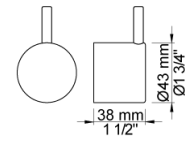
Project:



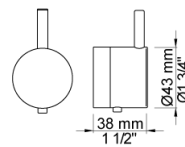
5100
Thermostatic mixer with fixed outlet socket. 3/4" connection to copper, steel, iron or pex pipe work.



NR51
On/off handle for 5000 and 6000.



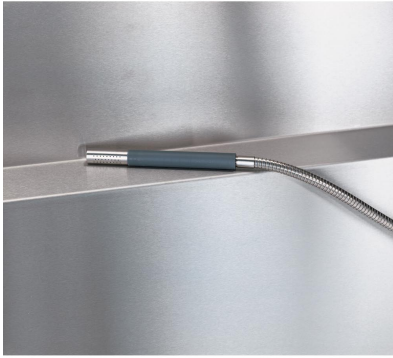
NR52
Thermostatic handle for serie 5000.



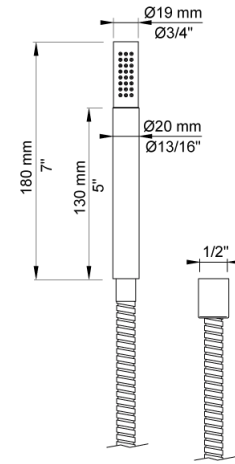
Date:

Client:

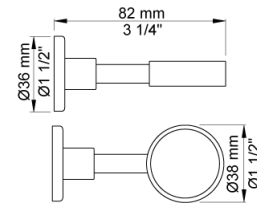
Project:



T2
Hand shower with 1.5 m hose.



T4
Soap ring.



T8
Hand shower holder for low mounting.

