

Date:

Client:

Project:

VOLA product: 5201



**5201**

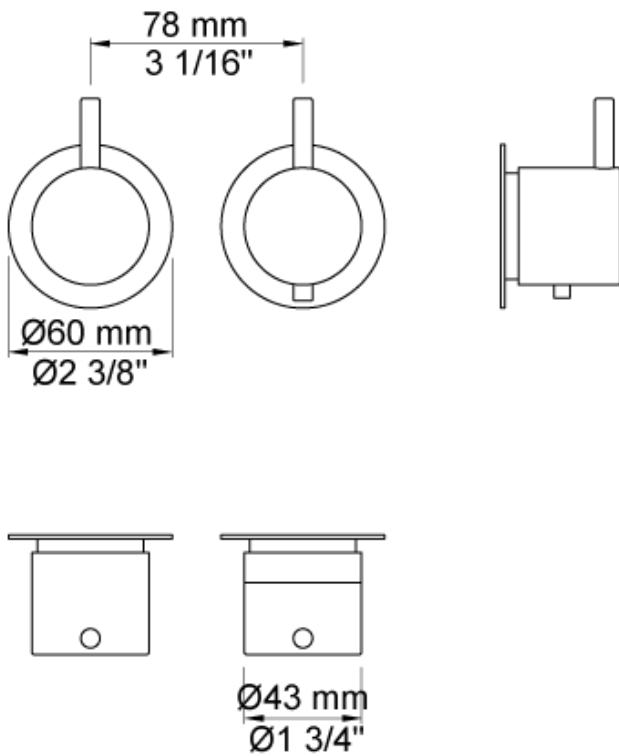
¾" thermostatic mixer. 5201UP = Thermostatic mixer 5200V. 5201AP = Handle NR51, handle NR52, 2 pcs. 60 mm circular flanges 2001.

**Flow**

	<b>Bar:</b>	<b>1.0</b>	<b>2.0</b>	<b>3.0</b>	<b>4.0</b>	<b>5.0</b>
5201 <sup>1)</sup>	(l/min)	20.2	28.6	35.0	40.4	45.2
5201 <sup>2)</sup>	(l/min)	24.8	35.1	43.0	49.7	55.5

<sup>1)</sup> Standard (VR5277LK)

<sup>2)</sup> Option (VR5277K)



**Available in colors**

- Color 02, Grey
- Color 04, Light blue
- Color 05, Orange
- Color 06, Light green
- Color 08, Yellow
- Color 09, Dark grey
- Color 12, Mocca
- Color 14, Bright red
- Color 15, Dark blue
- Color 16, Polished chrome
- Color 17, Gloss black
- Color 18, White
- Color 19, Natural brass
- Color 20, Brushed chrome
- Color 21, Carmine red
- Color 25, Pink
- Color 27, Matt black
- Color 40, Brushed stainless steel

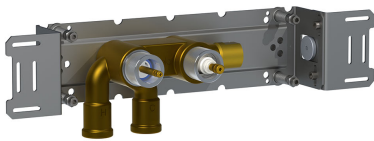
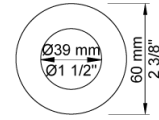
Date:

Client:

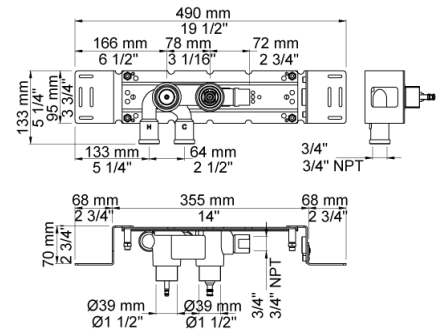
Project:



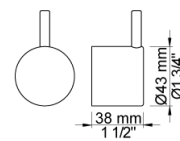
**2001**  
60 mm circular flange. Hole Ø39 mm.



**5200V**  
Thermostatic mixer without outlet socket. 3/4" connection to copper, steel, iron or pex pipe work.



**NR51**  
On/off handle for 5000 and 6000.



Date:

Client:

Project:



**NR52**  
Thermostatic handle for serie 5000.

