

Date:

Client:

Project:

VOLA product: 5411C-071

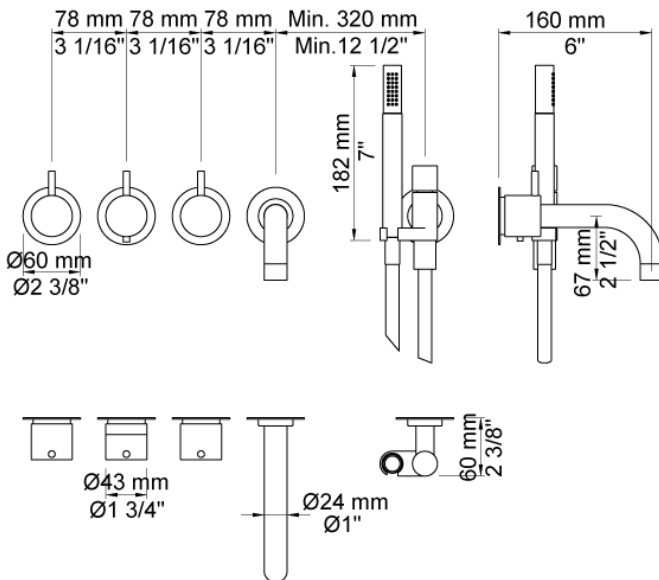


5411C-071

¾" thermostatic mixer.5411C-071UP = Thermostatic mixer 5400N.5411C-071AP = Handle NR51, handle NR52, handle NR64G, 160 mm fixed spout 010C, hand shower and hand shower holder with non-return valve 070, hose 1500 mm, 3 pcs. 60 mm circular flanges 2001, 2 pcs. 001.

Flow

	Bar:	1.0	2.0	3.0	4.0	5.0
010C	(l/min)	15.0	21.2	26.0	30.0	30.0
070	(l/min)	5.2	7.4	9.0	9.0	9.0



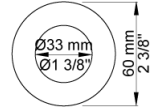
Available in colors

- Color 02, Grey
- Color 04, Light blue
- Color 05, Orange
- Color 06, Light green
- Color 08, Yellow
- Color 09, Dark grey
- Color 12, Mocca
- Color 14, Bright red
- Color 15, Dark blue
- Color 16, Polished chrome
- Color 17, Gloss black
- Color 18, White
- Color 19, Natural brass
- Color 20, Brushed chrome
- Color 21, Carmine red
- Color 25, Pink
- Color 27, Matt black
- Color 40, Brushed stainless steel

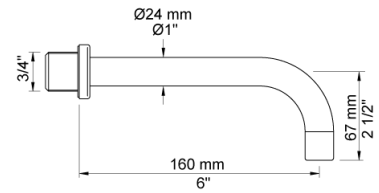
Date:

Client:

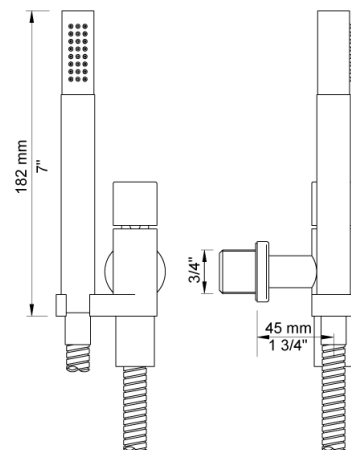
Project:



001
60 mm circular flange. Hole Ø33 mm.



010C
160 mm fixed spout for high flow.



070
Hand shower, hand shower holder and hose with non-return valve.

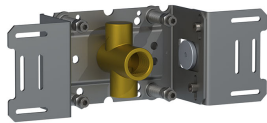
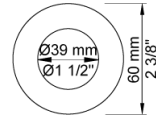
Date:

Client:

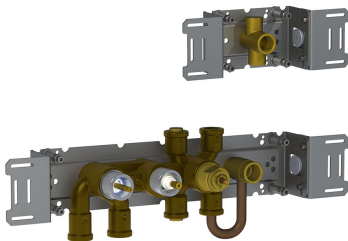
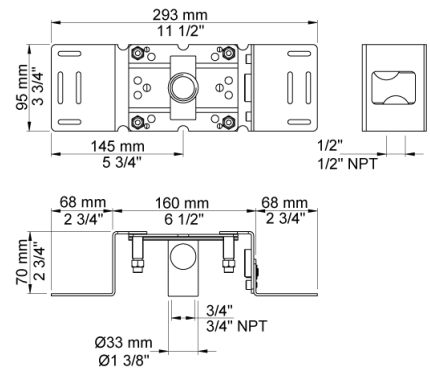
Project:



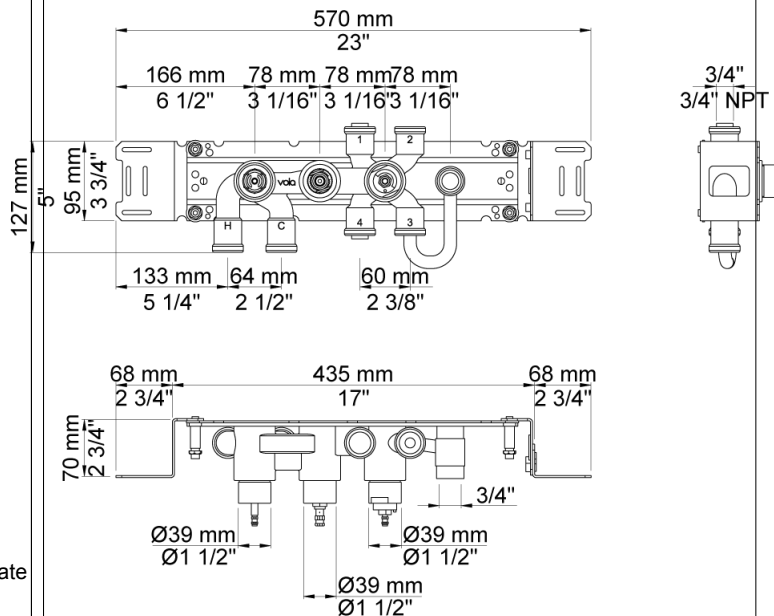
2001
60 mm circular flange. Hole Ø39 mm.



200M
Separate outlet socket. 1/2" connection to copper, steel, iron or pex pipe work.



5400N
Thermostatic mixer with diverter and fixed outlet socket and one separate outlet socket, 200M. 3/4" connection to copper, steel, iron or pex pipe work.



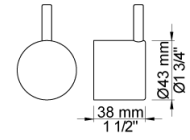
Date:

Client:

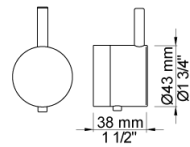
Project:



NR51
On/off handle for 5000 and 6000.



NR52
Thermostatic handle for serie 5000.



NR64G
Diverter handle for 5400/5600. With peg in the same colour as handle (Standard).

