

Date:

Client:

Project:

VOLA product: KV1-500T1



KV1-500T1

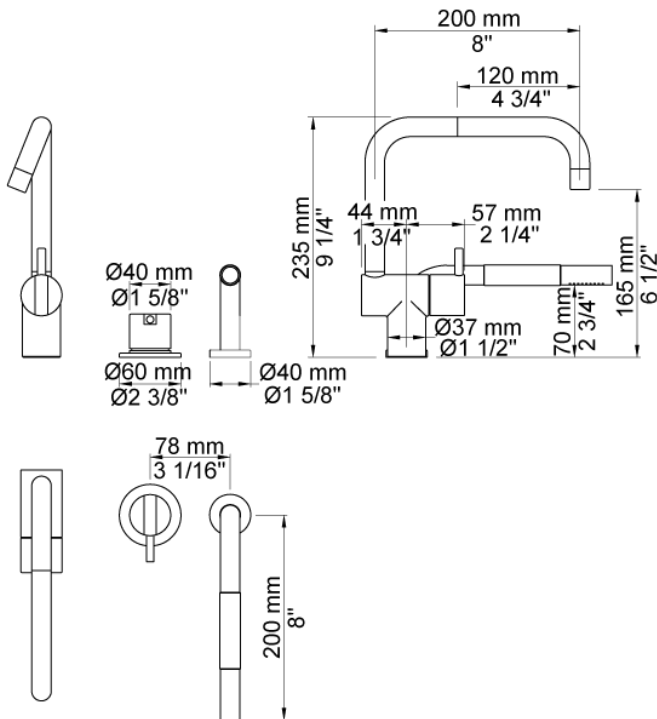
One-handle mixer with ceramic disc technology, double swivel spout with water saving aerator, one-handle mixer 500 and hand shower T1. Pipe size: 10 mm. Hole cut out size: 32 mm.

Flow

	Bar:	1.0	2.0	3.0	4.0	5.0
KV1	(l/min)	4.8	6.8	8.3	8.3	8.3
KV1	(l/min)	2.6	3.7	4.5	4.5	4.5
T1	(l/min)	6.4	9.0	11.0	12.7	14.2

Available in colors

- Color 02, Grey
- Color 04, Light blue
- Color 05, Orange
- Color 06, Light green
- Color 08, Yellow
- Color 09, Dark grey
- Color 12, Mocca
- Color 14, Bright red
- Color 15, Dark blue
- Color 16, Polished chrome
- Color 17, Gloss black
- Color 18, White
- Color 19, Natural brass
- Color 20, Brushed chrome
- Color 21, Carmine red
- Color 25, Pink
- Color 27, Matt black
- Color 40, Brushed stainless steel



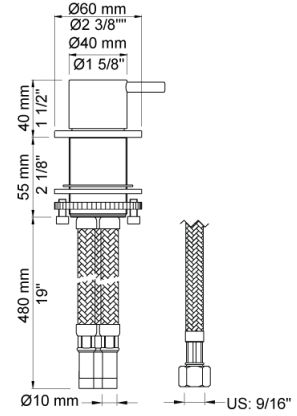
Date:

Client:

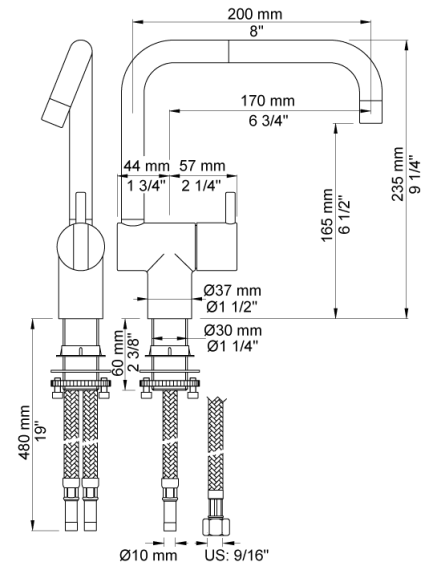
Project:



500
One-handle table-mounted mixer.



KV1
One-handle mixer with ceramic disc technology, double swivel spout and water saving aerator. Pipe size: 10 mm. Hole cut out size: 32 mm.



T1
Deck mounted pull out hand shower, with 1,5 m hose. Work top: Max. 45 mm. Hole cut out size: 30 mm.

