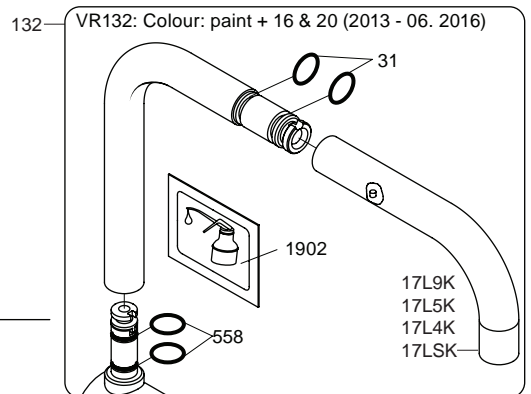
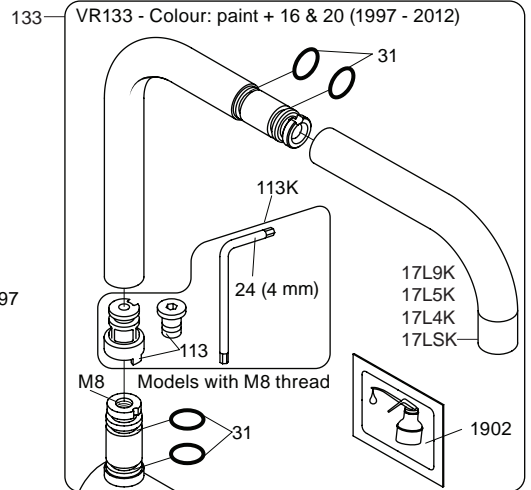
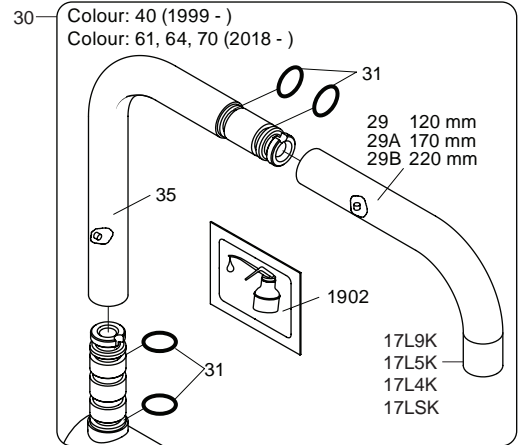
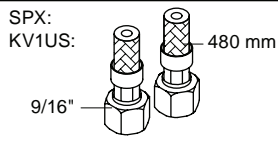
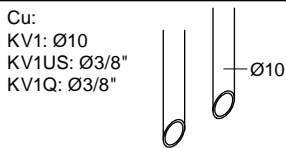
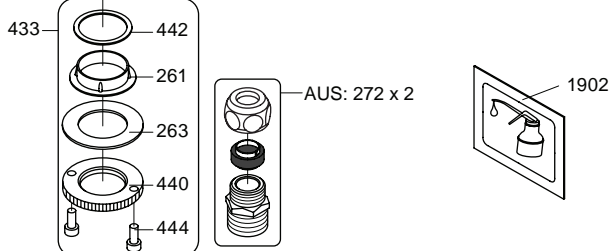
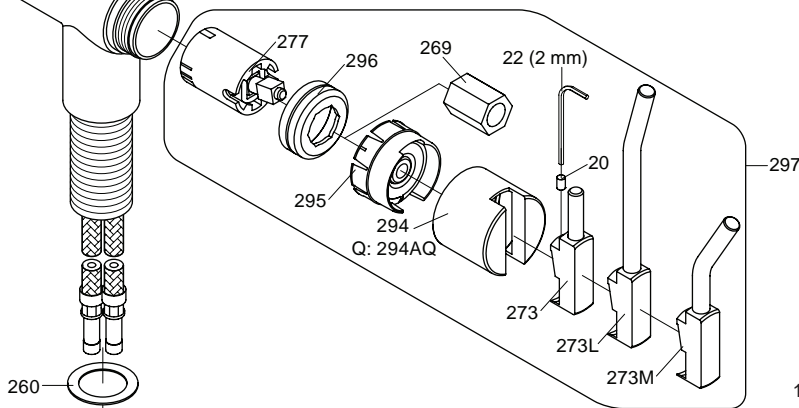
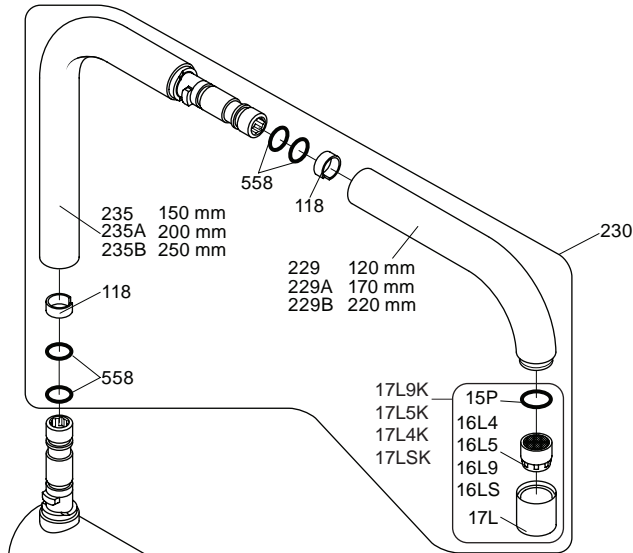


Colour: paint + 16, 19, 20



- NR.10/L/M: VR20, VR22, VR273/L/M, VR294, VR295
 VR17L4K: VR15P, VR16L4, VR17L (US Standard)
 VR17L5K: VR15P, VR16L5, VR17L
 VR17L9K: VR15P, VR16L9, VR17L
 VR17LSK: VR15P, VR16LS, VR17L
 VR30: VR15P, VR16L9, VR17L, VR29, 4xVR31, VR35, VR1902 (F40) (and KV1 from 1972 - 1996)
 VR132: VR15P, VR16L9, VR17L, 2xVR31, 2xVR558, VR1902 (2013 - 06. 2016)
 VR133: VR15P, VR16L9, VR17L, VR24, 4xVR31, VR113, VR1902 (1997 - 2012)
 VR230: VR15P, VR16L9, VR17L, 2xVR118, VR229, VR235, 4xVR558, VR1902 (06-2016 -)
 VR277K: VR22, VR269, VR277
 VR297/L/M: VR20, VR22, VR269, VR273/L/M, VR277, VR294, VR295, VR296
 VR433: VR261, VR263, VR440, VR442, 2xVR444



vola
 Lunavej 2
 DK-8700 Horsens
 Tlf : + 45 7023 5500
 Fax: + 45 7023 5511
 sales@vola.com
 www.vola.com

VOLA KV1

Date
 Jan. 17

Rev.
 8

Sheet
SB25.2