

Date: _____

Client: _____

Project: _____

VOLA product: 633K

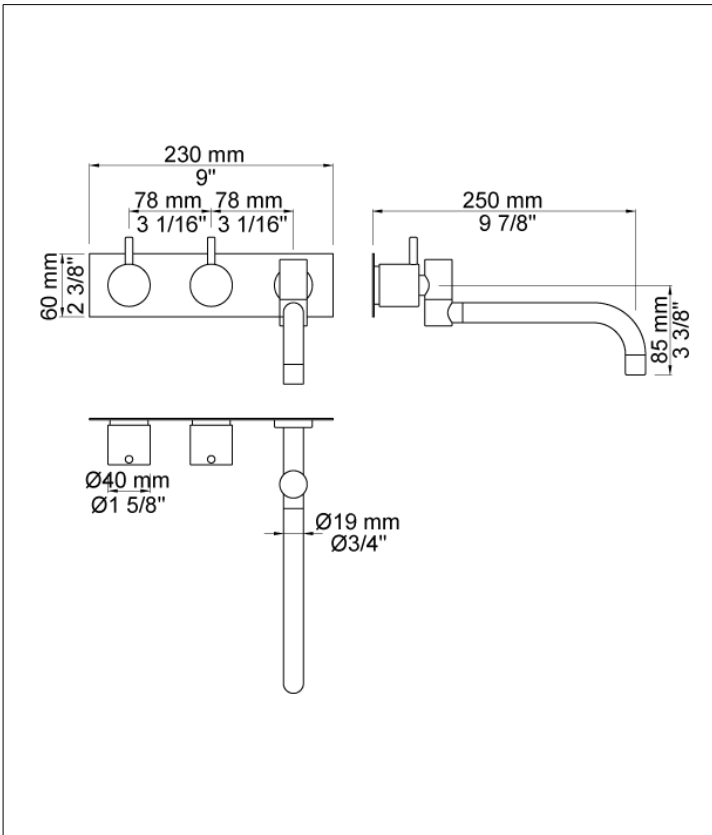


633K

Two-handle build-in mixer with ceramic disc technology. 633KUP = Mixer 600. 633KAP = 2 pcs. handles NR17, 250 mm double swivel spout 030, three-hole plate 60 x 230 mm 003K.

Flow

	Bar:	1.0	2.0	3.0	4.0	5.0
633K	(l/min)	4.8	6.8	8.3	8.3	8.3



Available in colors

- Color 02, Grey
- Color 04, Light blue
- Color 05, Orange
- Color 06, Light green
- Color 08, Yellow
- Color 09, Dark grey
- Color 12, Mocca
- Color 14, Bright red
- Color 15, Dark blue
- Color 16, Polished chrome
- Color 17, Gloss black
- Color 18, White
- Color 19, Natural brass
- Color 20, Brushed chrome
- Color 21, Carmine red
- Color 25, Pink
- Color 27, Matt black
- Color 40, Brushed stainless steel



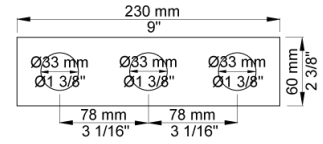
Date:

Client:

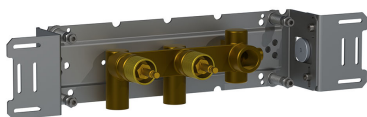
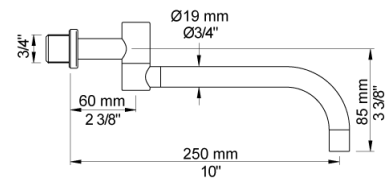
Project:



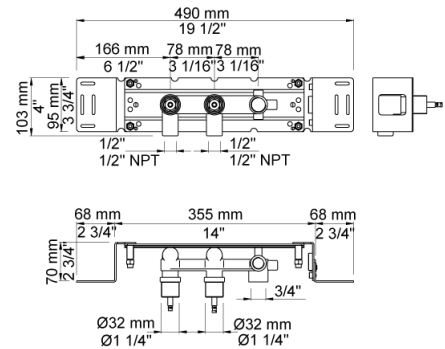
003K
Three-hole plate, 60 x 230 mm. Holes Ø33 mm.



030
250 mm double swivel spout with water saving aerator.



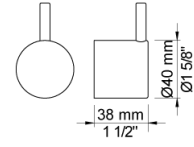
600
Two-handle build-in mixer, with fixed outlet socket. 1/2" connection to copper, steel, iron or pex pipe work.



Date:

Client:

Project:



NR17

Operating handle for 600, 700, 800, 900, 1500, 2800, 2900, S20, S21, S40, S42 incl. variants. Ø40 mm.