

Date:

Client:

Project:

VOLA product: 631



**631**

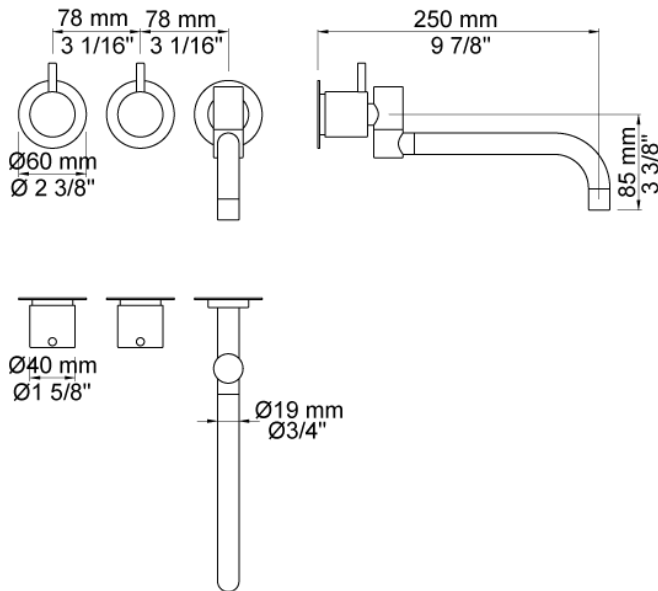
Two-handle build-in mixer with ¼ turn ceramic disc technology. 631UP = Mixer 600.631AP = 2 pcs. handles NR17, 250 mm double swivel spout 030, 3 pcs. 60 mm circular flanges 001.

**Flow**

	Bar:	1.0	2.0	3.0	4.0	5.0
631	(l/min)	4.8	6.8	8.3	8.3	8.3

**Available in colors**

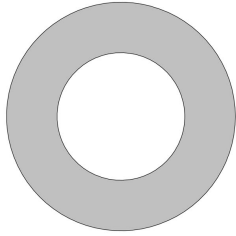
- Color 02, Grey
- Color 04, Light blue
- Color 05, Orange
- Color 06, Light green
- Color 08, Yellow
- Color 09, Dark grey
- Color 12, Mocca
- Color 14, Bright red
- Color 15, Dark blue
- Color 16, Polished chrome
- Color 17, Gloss black
- Color 18, White
- Color 19, Natural brass
- Color 20, Brushed chrome
- Color 21, Carmine red
- Color 25, Pink
- Color 27, Matt black
- Color 40, Brushed stainless steel



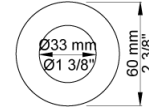
Date:

Client:

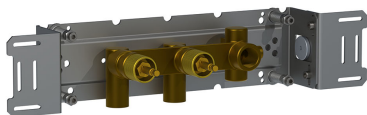
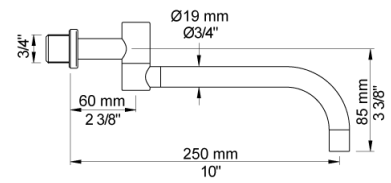
Project:



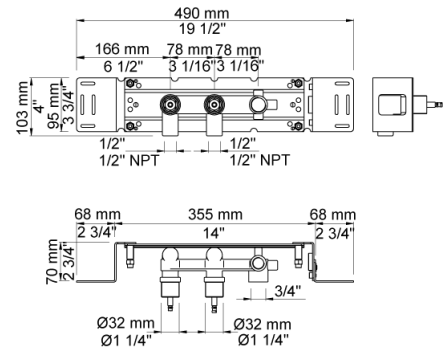
**001**  
60 mm circular flange. Hole Ø33 mm.



**030**  
250 mm double swivel spout with water saving aerator.



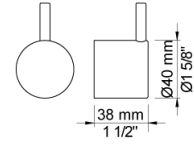
**600**  
Two-handle build-in mixer, with fixed outlet socket. 1/2" connection to copper, steel, iron or pex pipe work.



Date:

Client:

Project:



**NR17**

Operating handle for 600, 700, 800, 900, 1500, 2800, 2900, S20, S21, S40, S42 incl. variants. Ø40 mm.