

Date:

Client:

Project:

VOLA product: 2473-051



**2473-051**

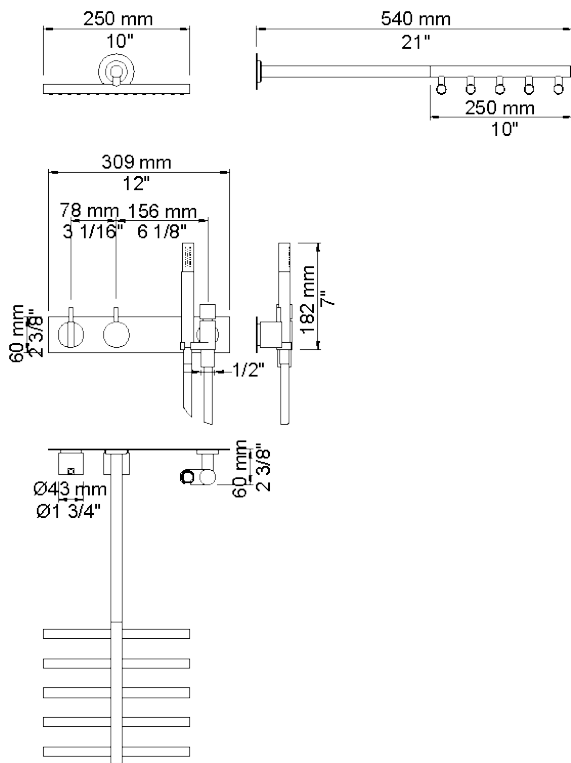
One-handle build-in mixer with ceramic disc technology and diverter. 2473-051UP = Mixer 2400F.2473-051AP = Handle NR21, handle NR24G, hand shower and hand shower holder with non-return valve 070, wall mounted head shower 050, three-hole plate 60 x 309 mm 2003, 60 mm circular flange 001.

**Flow**

	<b>Bar:</b>	<b>1.0</b>	<b>2.0</b>	<b>3.0</b>	<b>4.0</b>	<b>5.0</b>
070 <sup>1)</sup>	(l/min)	5.2	7.4	9.0	9.0	9.0
050 <sup>2)</sup>	(l/min)	11.6	16.3	20.0	23.1	25.8

<sup>1)</sup> USA: Flow restricted to 1.8 gpm (7.0 l/min)

<sup>2)</sup> USA: Flow restricted to 1.8 gpm (7.0 l/min)



**Available in colors**

- Color 02, Grey
- Color 04, Light blue
- Color 05, Orange
- Color 06, Light green
- Color 08, Yellow
- Color 09, Dark grey
- Color 12, Mocca
- Color 14, Bright red
- Color 15, Dark blue
- Color 16, Polished chrome
- Color 17, Gloss black
- Color 18, White
- Color 19, Natural brass
- Color 20, Brushed chrome
- Color 21, Carmine red
- Color 25, Pink
- Color 27, Matt black
- Color 40, Brushed stainless steel

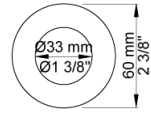
Date:

Client:

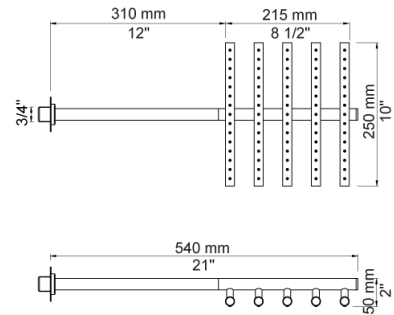
Project:



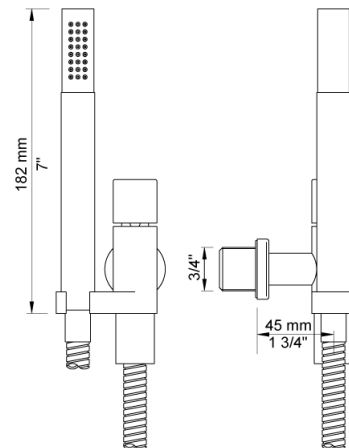
**001**  
60 mm circular flange. Hole Ø33 mm.



**050**  
Head shower, wall mounted. 60 mm cover flange included. Fits 200M in an existing installation if it is from the new generation of VOLA build-in fittings after 1995.



**070**  
Hand shower, hand shower holder and hose with non-return valve.



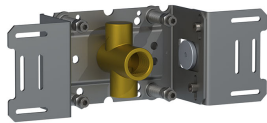
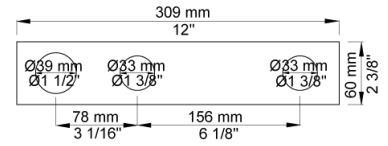
Date:

Client:

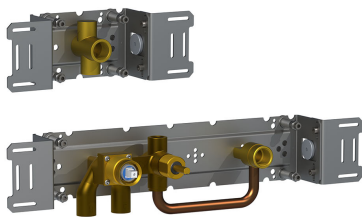
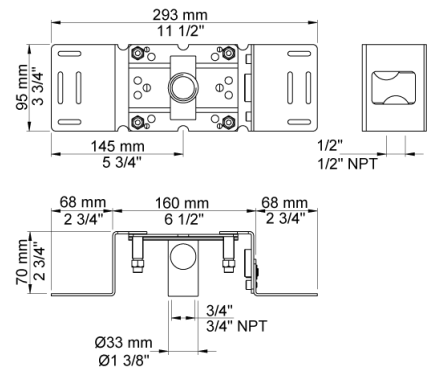
Project:



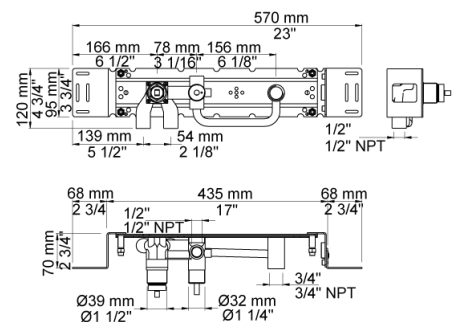
**2003**  
Three-hole plate, 60 x 309 mm. Holes Ø39, Ø33 and Ø33 mm.



**200M**  
Separate outlet socket. 1/2" connection to copper, steel, iron or pex pipe work.



**2400F**  
One-handle build-in mixer for high flow, with diverter, with one premounted outlet socket, and one separate outlet socket, 200M. 1/2" connection to copper, steel, iron or pex pipe work.



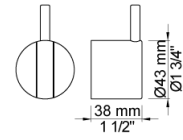
Date:

Client:

Project:



**NR21**  
Operating handle for 2100, 2200, 2300, 2400 incl. variants. Ø43 mm.



**NR24G**  
Diverter handle for 2400 incl. variants. Ø43 mm. With peg in the same colour as handle (Standard).

