

Date:

Client:

Project:

VOLA product: 2471



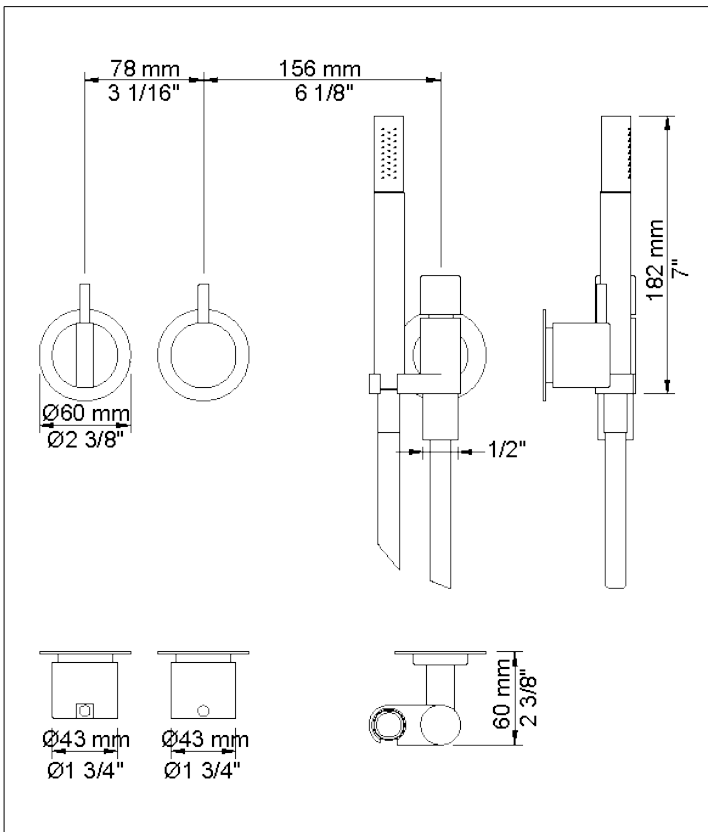
2471

One-handle build-in mixer with ceramic disc technology and diverter. 2471UP = Mixer 2400FV. 2471AP = Handle NR21, handle NR24G, hand shower and hand shower holder with non-return valve 070, hose 1500 mm, 2 pcs. 60 mm circular flanges 001, 2001.

Flow

	Bar:	1.0	2.0	3.0	4.0	5.0
2400RV	(l/min)	12.7	18.0	22.0	25.4	28.4
070 ¹⁾	(l/min)	5.2	7.4	9.0	9.0	9.0

¹⁾ USA: Flow restricted to 1.8 gpm (7.0 l/min)



Available in colors

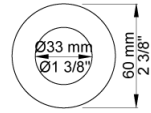
- Color 02, Grey
- Color 04, Light blue
- Color 05, Orange
- Color 06, Light green
- Color 08, Yellow
- Color 09, Dark grey
- Color 12, Mocca
- Color 14, Bright red
- Color 15, Dark blue
- Color 16, Polished chrome
- Color 17, Gloss black
- Color 18, White
- Color 19, Natural brass
- Color 20, Brushed chrome
- Color 21, Carmine red
- Color 25, Pink
- Color 27, Matt black
- Color 40, Brushed stainless steel



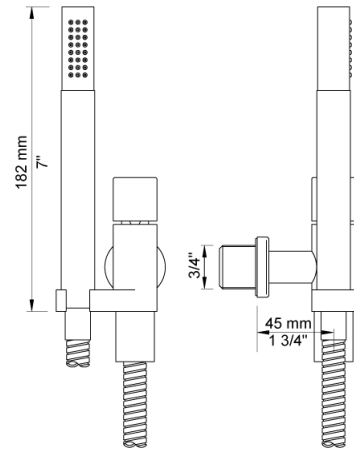
Date:

Client:

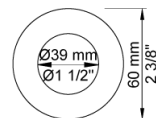
Project:



001
60 mm circular flange. Hole Ø33 mm.



070
Hand shower, hand shower holder and hose with non-return valve.

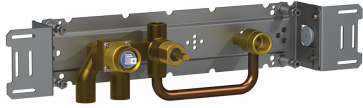


2001
60 mm circular flange. Hole Ø39 mm.

Date:

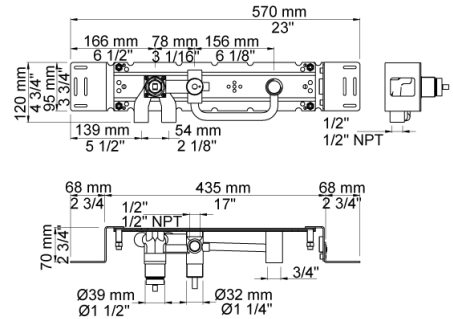
Client:

Project:



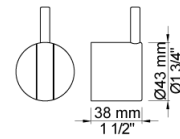
2400FV

One-handle build in mixer for high flow, with diverter, with one premounted outlet socket. 1/2" connection to copper, steel, iron or pex pipe work.



NR21

Operating handle for 2100, 2200, 2300, 2400 incl. variants. Ø43 mm.



NR24G

Diverter handle for 2400 incl. variants. Ø43 mm. With peg in the same colour as handle (Standard).

