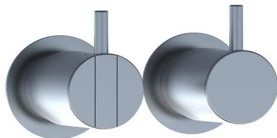


Date:

Client:

Project:

VOLA product: 2471-081D



**2471-081D**

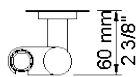
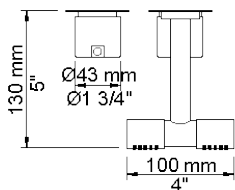
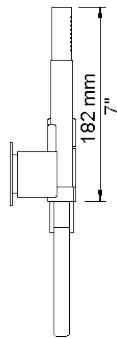
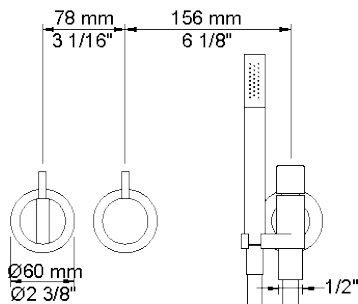
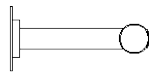
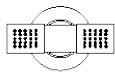
One-handle build-in mixer with ceramic disc technology with diverter. 2471-081DUP = Mixer 2400F. 2471-081DAP = Handle NR21, handle NR24G, hand shower and holder with non-return valve 070, hose 1500 mm, double head shower 080D, 3 pcs. 60 mm circular flanges 001, 2001.

**Flow**

	Bar:	1.0	2.0	3.0	4.0	5.0
070 <sup>1)</sup>	(l/min)	5.2	7.4	9.0	9.0	9.0
080D <sup>2)</sup>	(l/min)	12.7	18.0	22.0	25.4	28.4

<sup>1)</sup> USA: Flow restricted to 1.8 gpm (7.0 l/min)

<sup>2)</sup> USA: Flow restricted to 1.8 gpm (7.0 l/min)



**Available in colors**

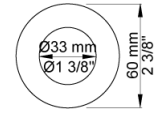
- Color 02, Grey
- Color 04, Light blue
- Color 05, Orange
- Color 06, Light green
- Color 08, Yellow
- Color 09, Dark grey
- Color 12, Mocca
- Color 14, Bright red
- Color 15, Dark blue
- Color 16, Polished chrome
- Color 17, Gloss black
- Color 18, White
- Color 19, Natural brass
- Color 20, Brushed chrome
- Color 21, Carmine red
- Color 25, Pink
- Color 27, Matt black
- Color 40, Brushed stainless steel



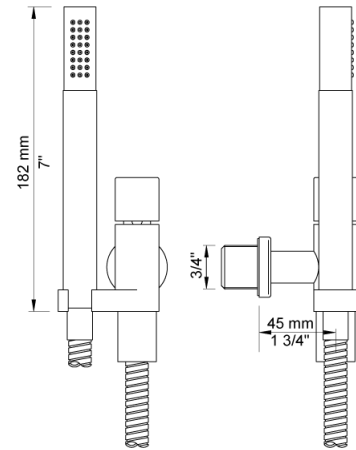
Date:

Client:

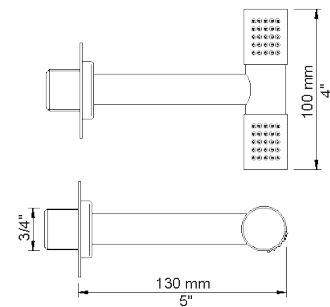
Project:



**001**  
60 mm circular flange. Hole Ø33 mm.



**070**  
Hand shower, hand shower holder and hose with non-return valve.



**080D**  
130 mm double head shower. 60 mm cover flange included.

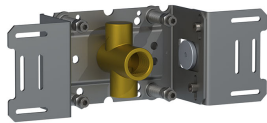
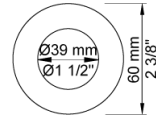
Date:

Client:

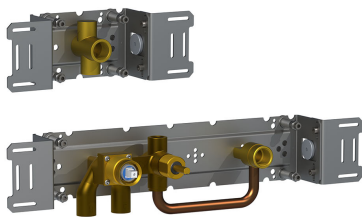
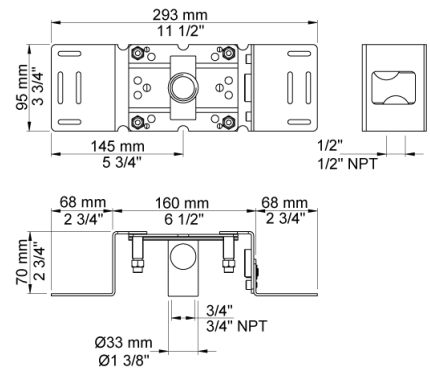
Project:



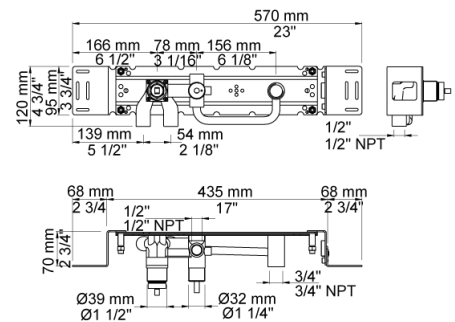
**2001**  
60 mm circular flange. Hole Ø39 mm.



**200M**  
Separate outlet socket. 1/2" connection to copper, steel, iron or pex pipe work.



**2400F**  
One-handle build-in mixer for high flow, with diverter, with one premounted outlet socket, and one separate outlet socket, 200M. 1/2" connection to copper, steel, iron or pex pipe work.



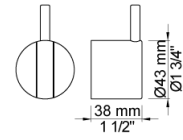
Date:

Client:

Project:



**NR21**  
Operating handle for 2100, 2200, 2300, 2400 incl. variants. Ø43 mm.



**NR24G**  
Diverter handle for 2400 incl. variants. Ø43 mm. With peg in the same colour as handle (Standard).

