

Date:

Client:

Project:

VOLA product: 2471-081ST



2471-081ST

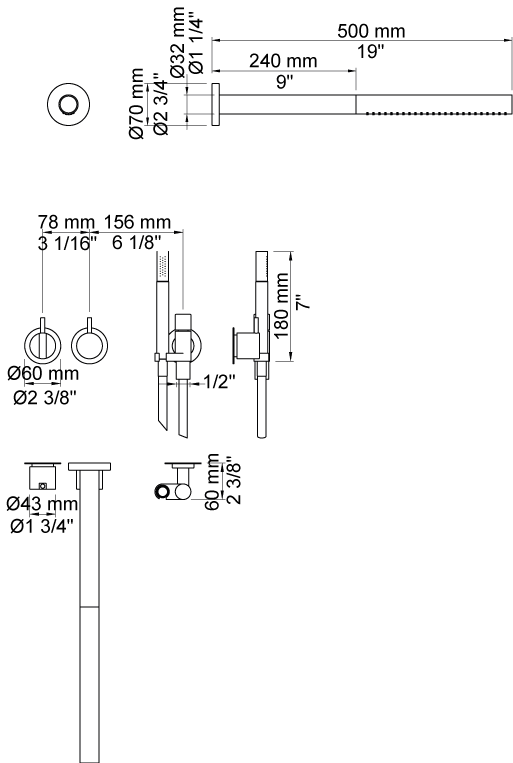
One-handle build-in mixer with ceramic disc technology with diverter. 2471-081STUP = Mixer 2400F. 2471-081STAP = Handle NR21, handle NR24G, hand shower and holder with non-return valve 070, hose 1500 mm, head shower 080ST, 2 pcs. 60 mm circular flanges 001, 2001.

Flow

	Bar:	1.0	2.0	3.0	4.0	5.0
070 ¹⁾	(l/min)	5.2	7.4	9.0	9.0	9.0
080ST ²⁾	(l/min)	11.6	16.3	20.0	23.1	25.8

¹⁾ USA: Flow restricted to 1.8 gpm (7.0 l/min)

²⁾ USA: Flow restricted to 1.8 gpm (7.0 l/min)



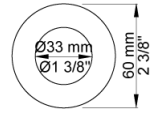
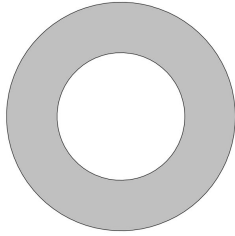
Available in colors

- Color 02, Grey
- Color 04, Light blue
- Color 05, Orange
- Color 06, Light green
- Color 08, Yellow
- Color 09, Dark grey
- Color 12, Mocca
- Color 14, Bright red
- Color 15, Dark blue
- Color 16, Polished chrome
- Color 17, Gloss black
- Color 18, White
- Color 19, Natural brass
- Color 20, Brushed chrome
- Color 21, Carmine red
- Color 25, Pink
- Color 27, Matt black
- Color 40, Brushed stainless steel

Date:

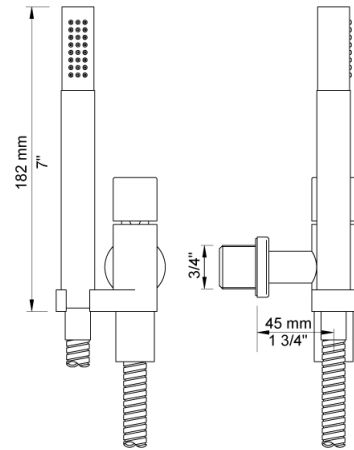
Client:

Project:



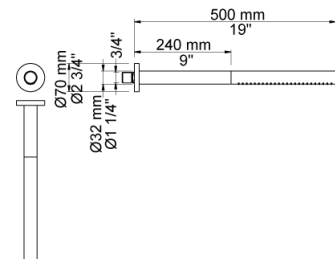
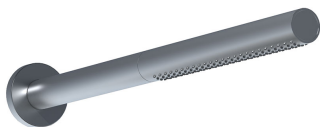
001

60 mm circular flange. Hole Ø33 mm.



070

Hand shower, hand shower holder and hose with non-return valve.



080ST

Head shower, 500 mm.

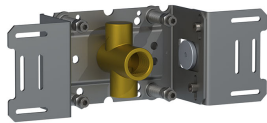
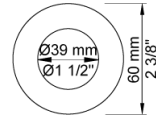
Date:

Client:

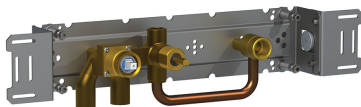
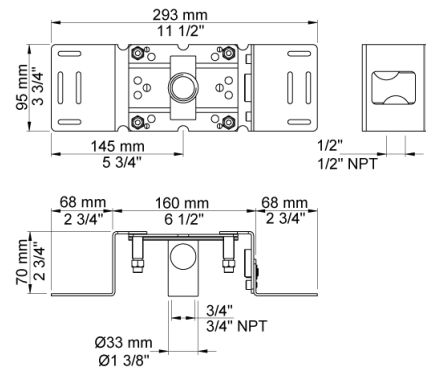
Project:



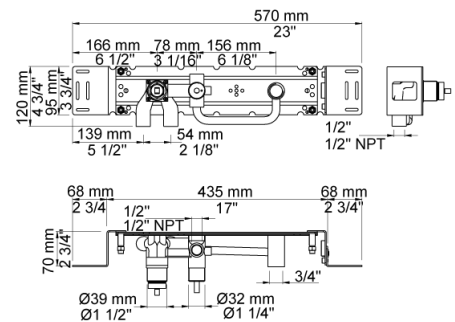
2001
60 mm circular flange. Hole Ø39 mm.



200M
Separate outlet socket. 1/2" connection to copper, steel, iron or pex pipe work.



2400FV
One-handle build in mixer for high flow, with diverter, with one premounted outlet socket. 1/2" connection to copper, steel, iron or pex pipe work.



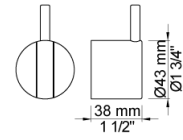
Date:

Client:

Project:



NR21
Operating handle for 2100, 2200, 2300, 2400 incl. variants. Ø43 mm.



NR24
Diverter handle for 2400 incl. variants. Ø43 mm.

