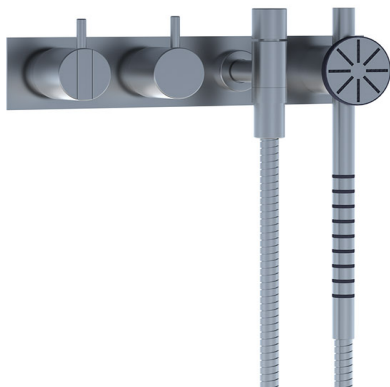


Date:

Client:

Project:

VOLA product: 2474S-081



2474S-081

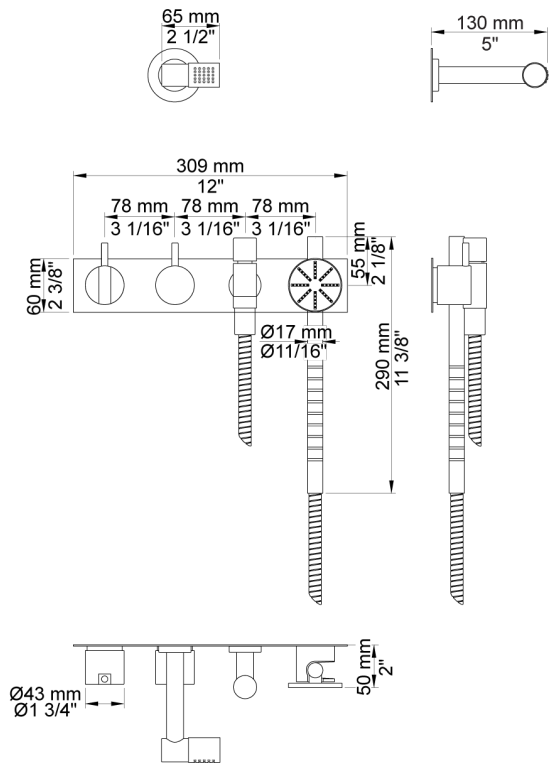
One-handle build-in mixer with ceramic disc technology with diverter. 2474S-081UP = Mixer 2400N. 2474S-081AP = Handle NR21, handle NR24G, hand shower and hand shower holder with non-return valve 070S, hose 1500 mm, head shower 080, four-hole plate, 60 x 309 mm 2004, 60 mm circular flange 001.

Flow

	Bar:	1.0	2.0	3.0	4.0	5.0
080 ¹⁾	(l/min)	6.9	9.8	12.0	13.9	15.5
070S ²⁾	(l/min)	6.9	9.8	12.0	13.9	15.5

¹⁾ USA: Flow restricted to 1.8 gpm (7.0 l/min)

²⁾ USA: Flow restricted to 2.0 gpm (7.6 l/min)



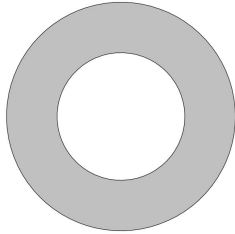
Available in colors

- Color 02, Grey
- Color 04, Light blue
- Color 05, Orange
- Color 06, Light green
- Color 08, Yellow
- Color 09, Dark grey
- Color 12, Mocca
- Color 14, Bright red
- Color 15, Dark blue
- Color 16, Polished chrome
- Color 17, Gloss black
- Color 18, White
- Color 19, Natural brass
- Color 20, Brushed chrome
- Color 21, Carmine red
- Color 25, Pink
- Color 27, Matt black
- Color 40, Brushed stainless steel

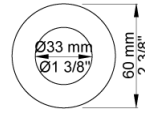
Date:

Client:

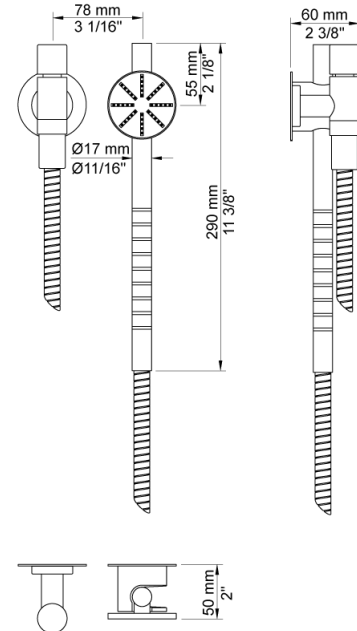
Project:



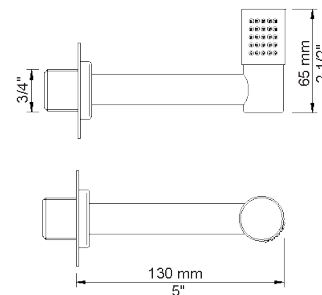
001
60 mm circular flange. Hole Ø33 mm.



070S
Hand shower, hand shower holder and hose with non-return valve.



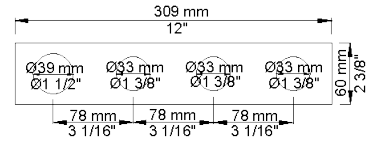
080
130 mm head shower. 60 mm cover flange included.



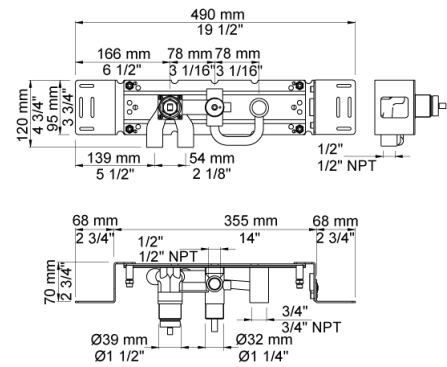
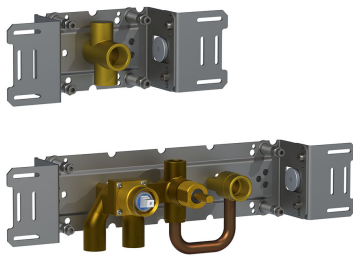
Date:

Client:

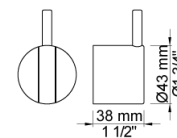
Project:



2004
Four-hole plate, 60 x 309 mm. Holes Ø39, Ø33, Ø33 and Ø33 mm.



2400N
One-handle build-in mixer for high flow, with diverter, with one premounted outlet socket, and one separate outlet socket, 200M. 1/2" connection to copper, steel, iron or pex pipe work.



NR21
Operating handle for 2100, 2200, 2300, 2400 incl. variants. Ø43 mm.

Date:

Client:

Project:

**NR24G**

Diverter handle for 2400 incl. variants. Ø43 mm. With peg in the same colour as handle (Standard).

