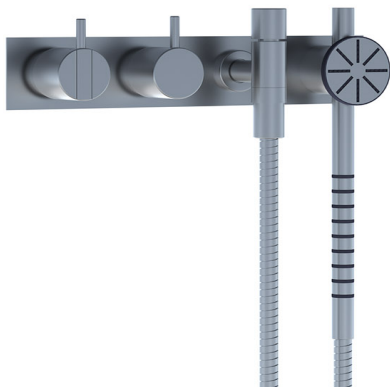


Date:

Client:

Project:

VOLA product: 2474S-081D



2474S-081D

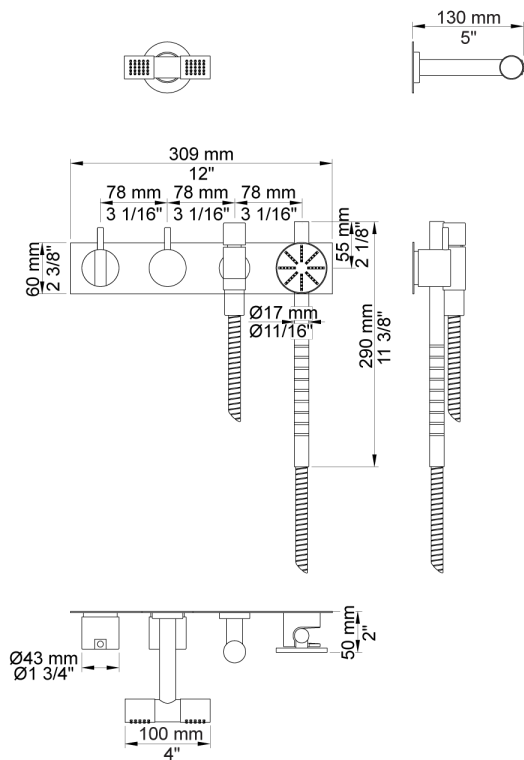
One-handle build-in mixer with ceramic disc technology with diverter. 2474S-081DUP = Mixer 2400N. 2474S-081DAP = Handle NR21, handle NR24G, hand shower and hand shower holder with non-return valve 070S, hose 1500 mm, double head shower 080D, four-hole plate, 60 x 309 mm 2004.

Flow

| | Bar: | 1.0 | 2.0 | 3.0 | 4.0 | 5.0 |
|--------------------|-------------|------------|------------|------------|------------|------------|
| 080D ¹⁾ | (l/min) | 12.7 | 18.0 | 22.0 | 25.4 | 28.4 |
| 070S ²⁾ | (l/min) | 6.9 | 9.8 | 12.0 | 13.9 | 15.5 |

¹⁾ USA: Flow restricted to 1.8 gpm (7.0 l/min)

²⁾ USA: Flow restricted to 2.0 gpm (7.6 l/min)



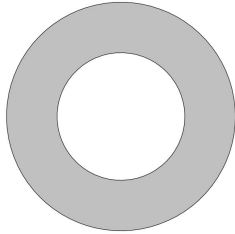
Available in colors

- Color 02, Grey
- Color 04, Light blue
- Color 05, Orange
- Color 06, Light green
- Color 08, Yellow
- Color 09, Dark grey
- Color 12, Mocca
- Color 14, Bright red
- Color 15, Dark blue
- Color 16, Polished chrome
- Color 17, Gloss black
- Color 18, White
- Color 19, Natural brass
- Color 20, Brushed chrome
- Color 21, Carmine red
- Color 25, Pink
- Color 27, Matt black
- Color 40, Brushed stainless steel

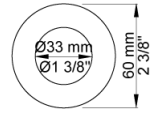
Date:

Client:

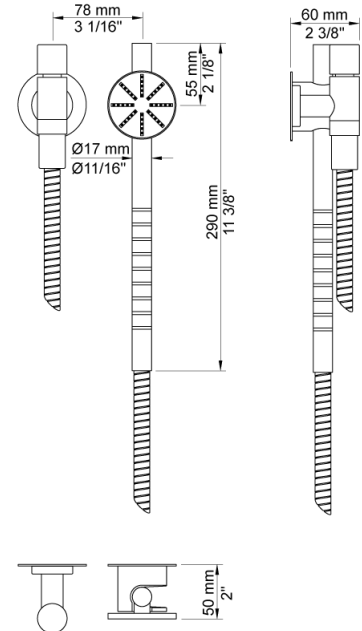
Project:



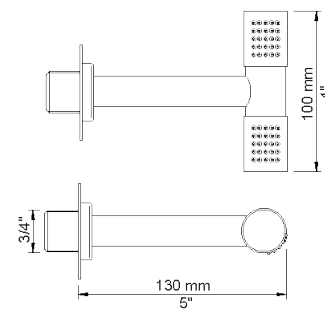
001
60 mm circular flange. Hole Ø33 mm.



070S
Hand shower, hand shower holder and hose with non-return valve.



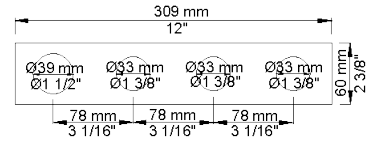
080D
130 mm double head shower. 60 mm cover flange included.



Date:

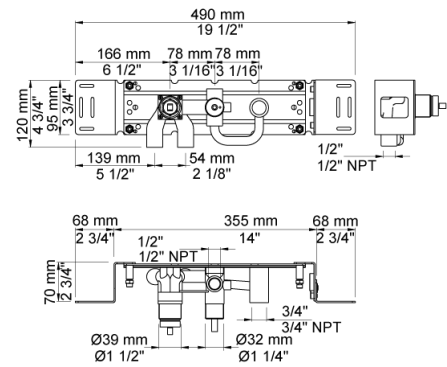
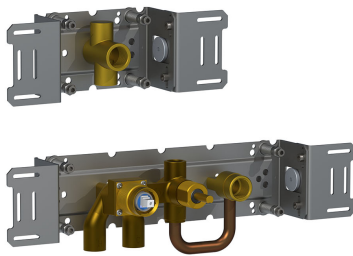
Client:

Project:



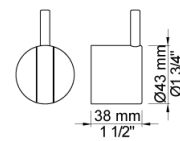
2004

Four-hole plate, 60 x 309 mm. Holes Ø39, Ø33, Ø33 and Ø33 mm.



2400N

One-handle build-in mixer for high flow, with diverter, with one premounted outlet socket, and one separate outlet socket, 200M. 1/2" connection to copper, steel, iron or pex pipe work.



NR21

Operating handle for 2100, 2200, 2300, 2400 incl. variants. Ø43 mm.

Date:

Client:

Project:

**NR24G**

Diverter handle for 2400 incl. variants. Ø43 mm. With peg in the same colour as handle (Standard).

