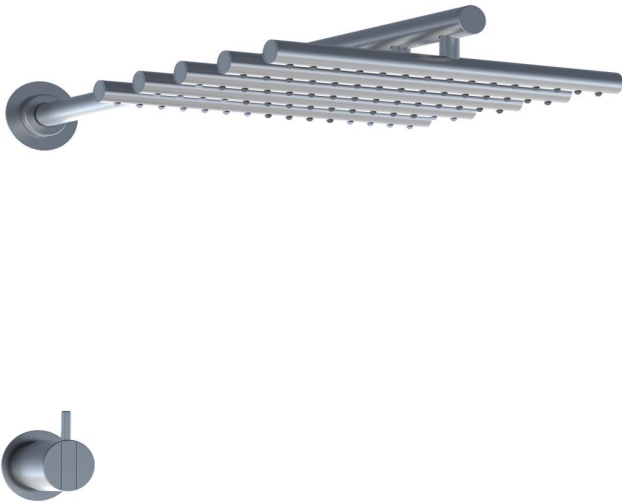


Date:

Client:

Project:

VOLA product: 2251



2251

One-handle build-in mixer with ceramic disc technology. 2251UP = Mixer 2200. 2251AP = Handle NR21, wall mounted head shower 050, 60 mm circular flanges 001, 2001

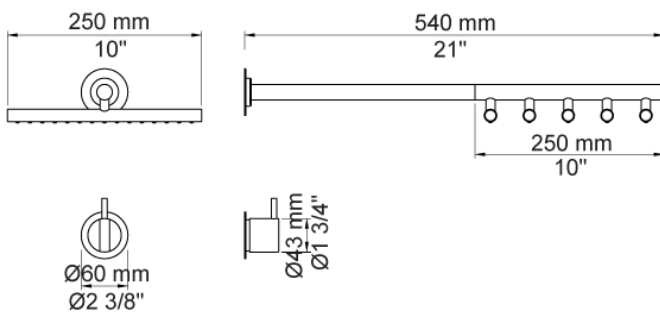
Flow

	Bar:	1.0	2.0	3.0	4.0	5.0
2251 ¹⁾	(l/min)	11.6	16.3	20.0	23.1	25.8

¹⁾ USA: Flow restricted to 1.8 gpm (7.0 l/min)

Available in colors

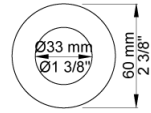
- Color 02, Grey
- Color 04, Light blue
- Color 05, Orange
- Color 06, Light green
- Color 08, Yellow
- Color 09, Dark grey
- Color 12, Mocca
- Color 14, Bright red
- Color 15, Dark blue
- Color 16, Polished chrome
- Color 17, Gloss black
- Color 18, White
- Color 19, Natural brass
- Color 20, Brushed chrome
- Color 21, Carmine red
- Color 25, Pink
- Color 27, Matt black
- Color 40, Brushed stainless steel



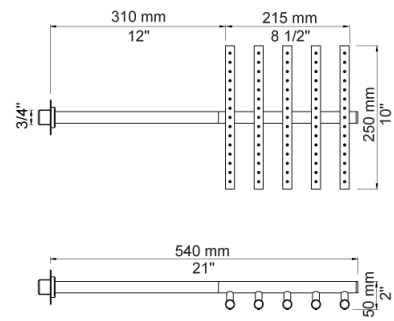
Date:

Client:

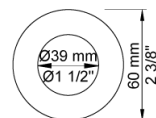
Project:



001
60 mm circular flange. Hole Ø33 mm.



050
Head shower, wall mounted. 60 mm cover flange included. Fits 200M in an existing installation if it is from the new generation of VOLA build-in fittings after 1995.

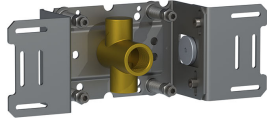


2001
60 mm circular flange. Hole Ø39 mm.

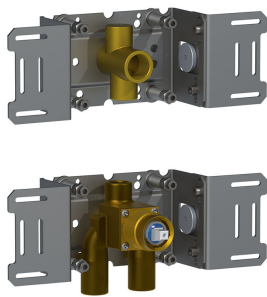
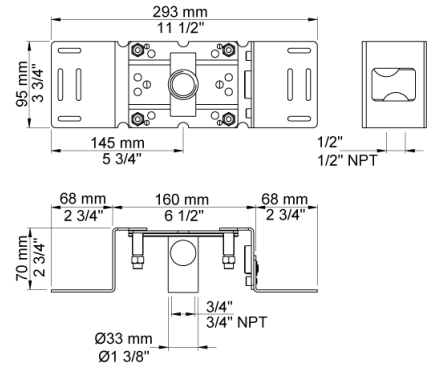
Date:

Client:

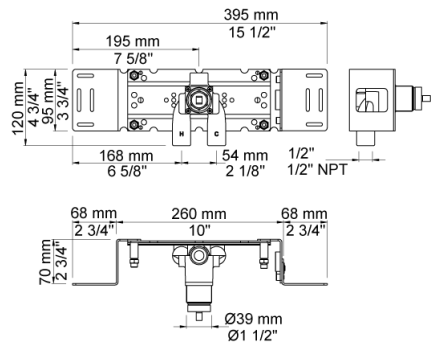
Project:



200M
Separate outlet socket. 1/2" connection to copper, steel, iron or pex pipe work.



2200
One-handle build-in mixer for high flow, including separate outlet socket, 200M. 1/2" connection to copper, steel, iron or pex pipe Work.



NR21
Operating handle for 2100, 2200, 2300, 2400 incl. variants. Ø43 mm.

