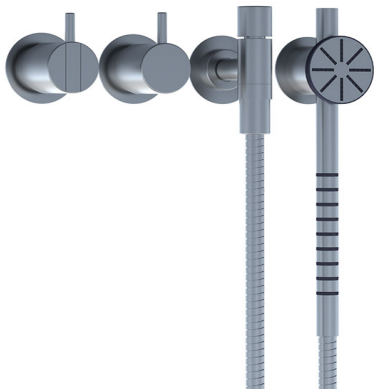
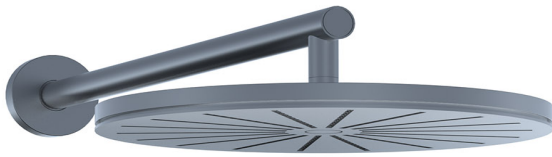


Date:

Client:

Project:

VOLA product: 2471S-061



**2471S-061**

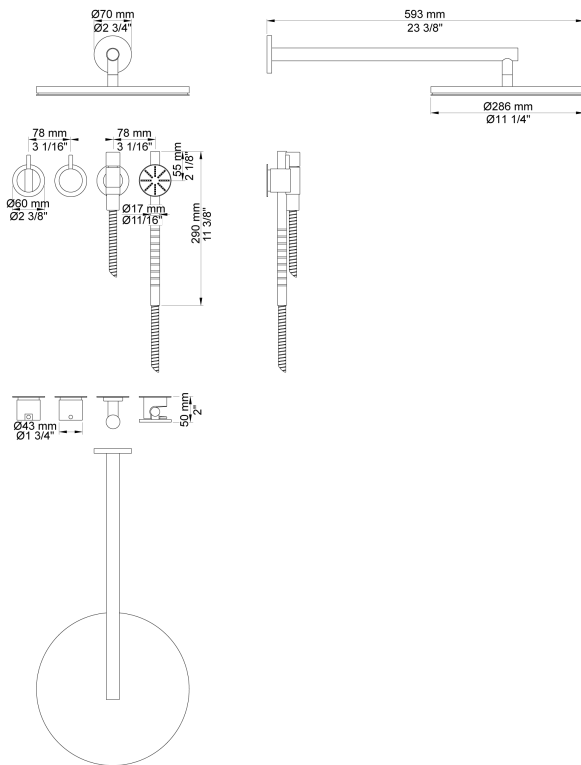
One-handle build-in mixer with ceramic disc technology and diverter. 2471S-061UP = Mixer 2400N.2471S-061AP = Handle NR21, handle NR24G, hand shower and hand shower holder with non-return valve 070S, hose 1500 mm, wall mounted head shower 060, 4 pcs. 60 mm circular flanges 001, 2001.

**Flow**

	<b>Bar:</b>	<b>1.0</b>	<b>2.0</b>	<b>3.0</b>	<b>4.0</b>	<b>5.0</b>
060 <sup>1)</sup>	(l/min)	11.6	16.3	20.0	23.1	25.8
070S <sup>2)</sup>	(l/min)	6.9	9.8	12.0	13.9	15.5

<sup>1)</sup> USA: Flow restricted to 1.8 gpm (7.0 l/min)

<sup>2)</sup> USA: Flow restricted to 2.0 gpm (7.6 l/min)



**Available in colors**

- Color 02, Grey
- Color 04, Light blue
- Color 05, Orange
- Color 06, Light green
- Color 08, Yellow
- Color 09, Dark grey
- Color 12, Mocca
- Color 14, Bright red
- Color 15, Dark blue
- Color 16, Polished chrome
- Color 17, Gloss black
- Color 18, White
- Color 19, Natural brass
- Color 20, Brushed chrome
- Color 21, Carmine red
- Color 25, Pink
- Color 27, Matt black
- Color 40, Brushed stainless steel

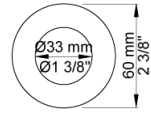
Date:

Client:

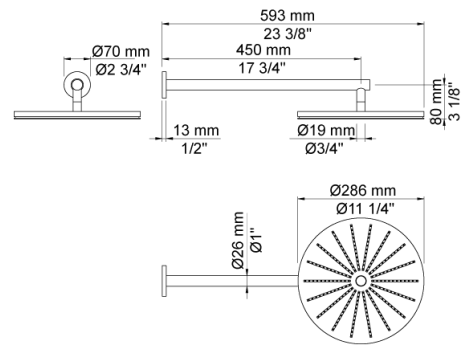
Project:



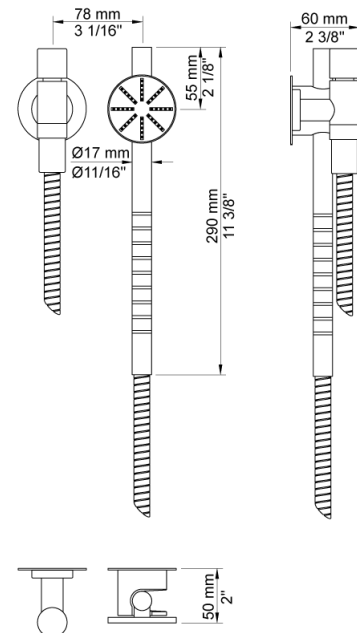
**001**  
60 mm circular flange. Hole Ø33 mm.



**060**  
Head shower, round, wall-mounted.



**070S**  
Hand shower, hand shower holder and hose with non-return valve.



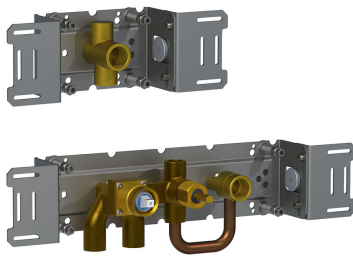
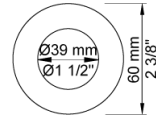
Date:

Client:

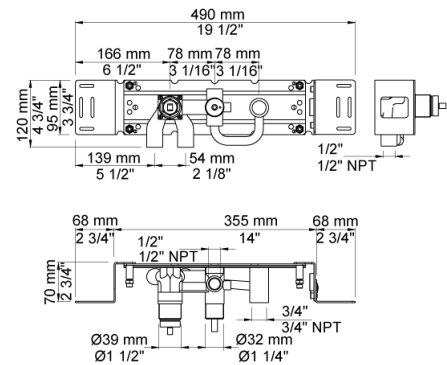
Project:



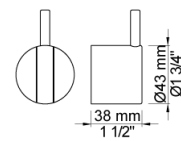
**2001**  
60 mm circular flange. Hole Ø39 mm.



**2400N**  
One-handle build-in mixer for high flow, with diverter, with one premounted outlet socket, and one separate outlet socket, 200M. 1/2" connection to copper, steel, iron or pex pipe work.



**NR21**  
Operating handle for 2100, 2200, 2300, 2400 incl. variants. Ø43 mm.



Date:

Client:

Project:

**NR24G**

Diverter handle for 2400 incl. variants. Ø43 mm. With peg in the same colour as handle (Standard).

