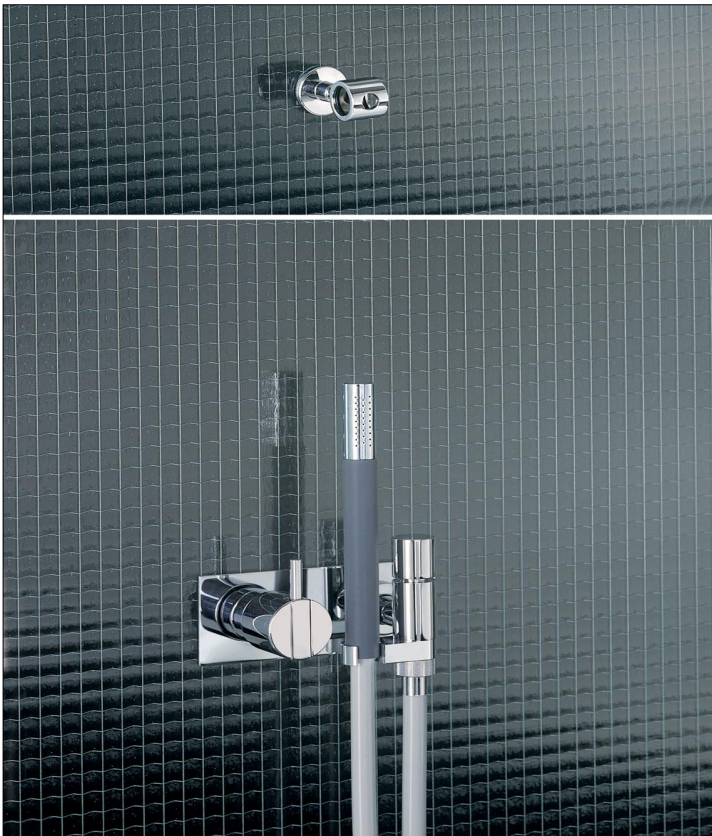


Date: \_\_\_\_\_

Client: \_\_\_\_\_

Project: \_\_\_\_\_

VOLA product: 2172T9



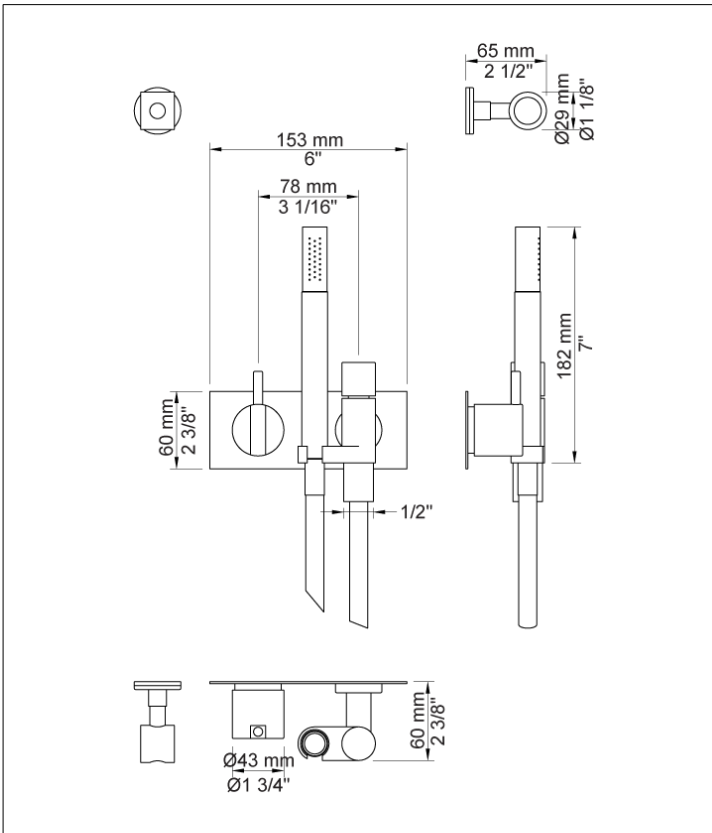
**2172T9**

One-handle build-in mixer with ceramic disc technology. 2172T9UP = Mixer 2100. 2172T9AP = Handle NR21, hand shower and hand shower holder with non-return valve 070, hose 1500 mm, two-hole plate 60 x 153 mm 2002, hand shower holder T9.

**Flow**

	Bar:	1.0	2.0	3.0	4.0	5.0
2172T9 <sup>1)</sup>	(l/min)	5.2	7.4	9.0	9.0	9.0

<sup>1)</sup> USA: Flow restricted to 1.8 gpm (7.0 l/min)



**Available in colors**

- Color 02, Grey
- Color 04, Light blue
- Color 05, Orange
- Color 06, Light green
- Color 08, Yellow
- Color 09, Dark grey
- Color 12, Mocca
- Color 14, Bright red
- Color 15, Dark blue
- Color 16, Polished chrome
- Color 17, Gloss black
- Color 18, White
- Color 19, Natural brass
- Color 20, Brushed chrome
- Color 21, Carmine red
- Color 25, Pink
- Color 27, Matt black
- Color 40, Brushed stainless steel

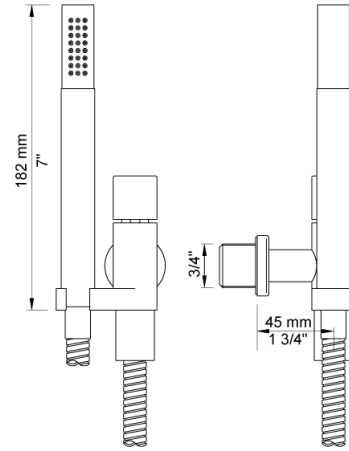
Date:

Client:

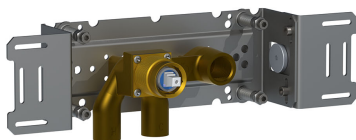
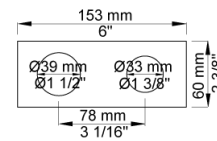
Project:



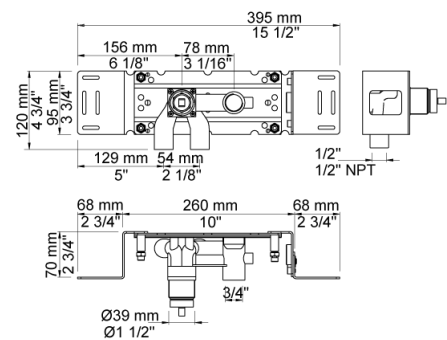
**070**  
Hand shower, hand shower holder and hose with non-return valve.



**2002**  
Two-hole plate, 60 x 153 mm. Holes Ø39 and Ø33 mm.



**2100**  
One-handle build-in mixer for high flow, with fixed outlet socket. 1/2" connection to copper, steel, iron or pex pipe work.



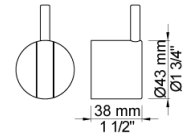
Date:

Client:

Project:



**NR21**  
Operating handle for 2100, 2200, 2300, 2400 incl. variants. Ø43 mm.



**T9**  
Hand shower holder for high mounting.

