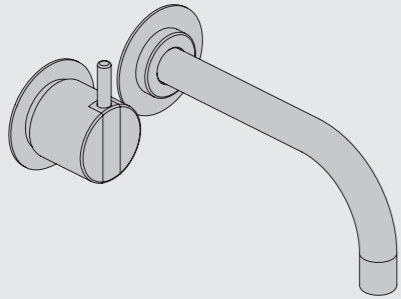


VOLA 100, 100X, 200, 200V, 300  
 VOLA 400DV, 400, 400V, 400N, 400NV, 400T  
 VOLA 400TV, 400F, 400FV, 400R, 400RV  
 VOLA 2100, 2100X, 2200, 2200V, 2300, 2400  
 VOLA 2400V, 2400N, 2400NV, 2400T, 2400TV  
 VOLA 2400F, 2400FV, 2400R, 2400RV

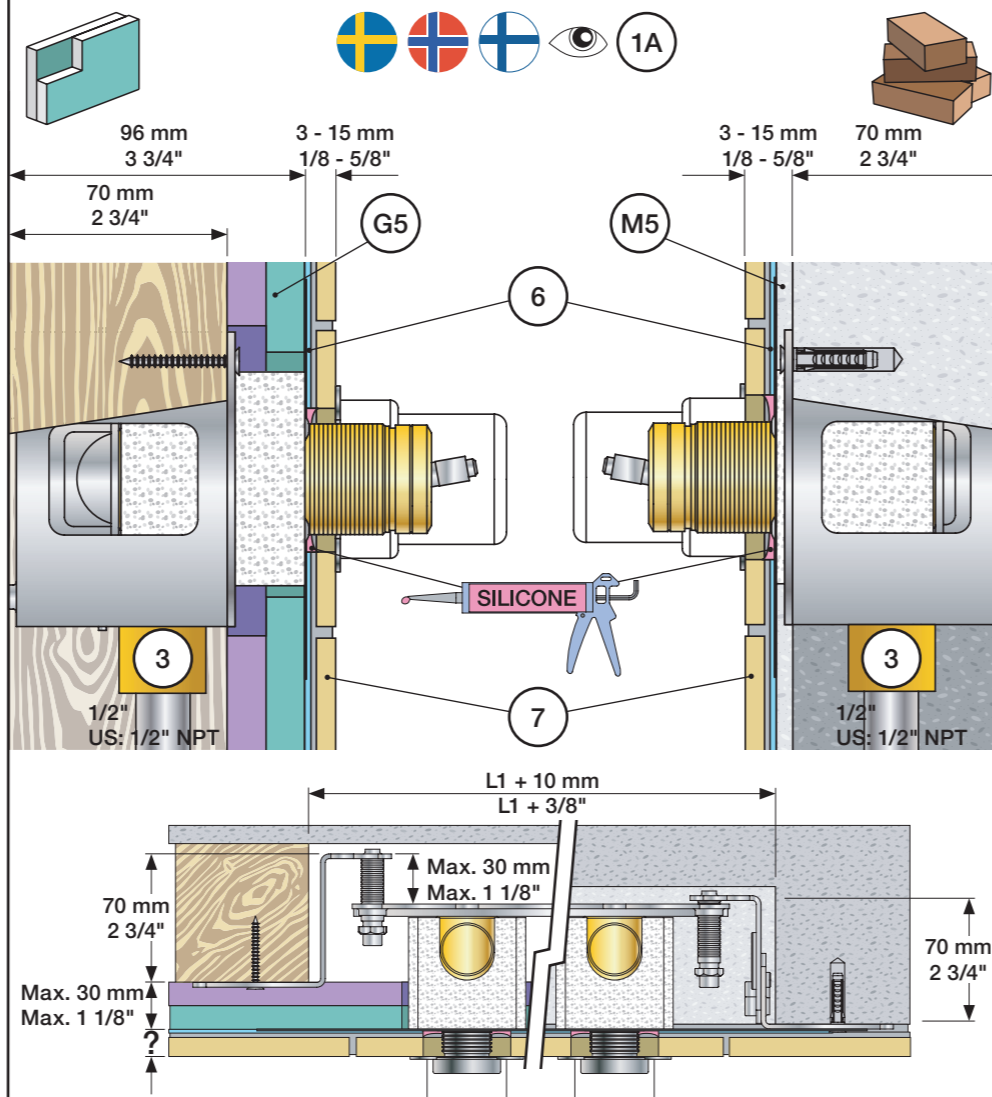


Fitting instruction  
 Montageanleitung  
 Monteringsvejledning

Monteringsvægledning  
 Montage hanledning  
 Manuel de montage



www.vola.com  
 100-2100\_V11 40999996



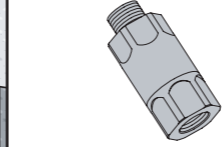
Data, 3 Bar/43.5 Psi:

|        | l/min. | Gal/min. |
|--------|--------|----------|
| 100:   | 18,3   | 4.8      |
| 400V:  | 15,6   | 4.1      |
| 2100:  | 25,2   | 6.7      |
| 2400V: | 22,2   | 5.9      |

Max. 65°C, 150°F

Max.: 10 Bar/145 psi

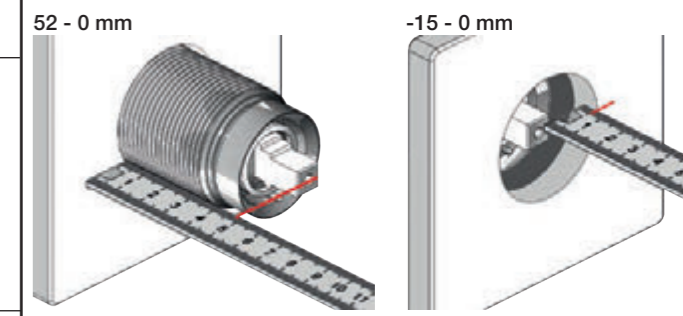
DE: Bitte separat beiliegende Anleitung für die Schalldämpfer VR1249 beachten



| Extension<br>Verlängerung | Forlængerdele<br>Förlängning | Verlængstukken<br>Modification |
|---------------------------|------------------------------|--------------------------------|
| 100/200/300/400           | VR1264                       | VR1400 VR2019                  |
| Tiles:                    | 3 - 15 mm Std.               | Std. Std.                      |
| Fliesen:                  | 15 - 25 mm +10               | +10 +10                        |
| Fliser:                   | 25 - 35 mm +20               | +20 +20                        |
| Tegels:                   | 35 - 45 mm +30               | +30 +30                        |
| Carreaux:                 | 45 - 55 mm +40               | +40 +40                        |
|                           | 55 - 65 mm +50               | +50 +50                        |

| 2100/2200/2300/2400 | VR2250         | VR1400    | VR2019 |
|---------------------|----------------|-----------|--------|
| Tiles:              | 3 - 15 mm Std. | Std. Std. |        |
| Fliesen:            | 15 - 25 mm +10 | +10 +10   |        |
| Fliser:             | 25 - 35 mm +20 | +20 +20   |        |
| Tegels:             | 35 - 45 mm +30 | +30 +30   |        |
| Carreaux:           | 45 - 55 mm +40 | +40 +40   |        |
|                     | 55 - 65 mm +50 | +50 +50   |        |

Extension, retrofit  
 Verlängerung, nachträglicher Einbau  
 Forlængerdele, eftermontering  
 Förlängning, eftermontering  
 Aanpassing na montage  
 Modification après installation

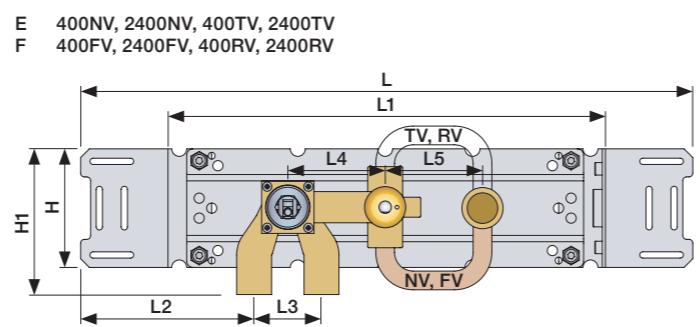
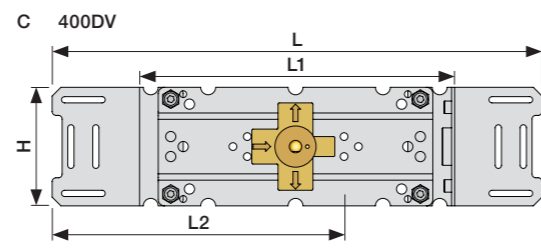
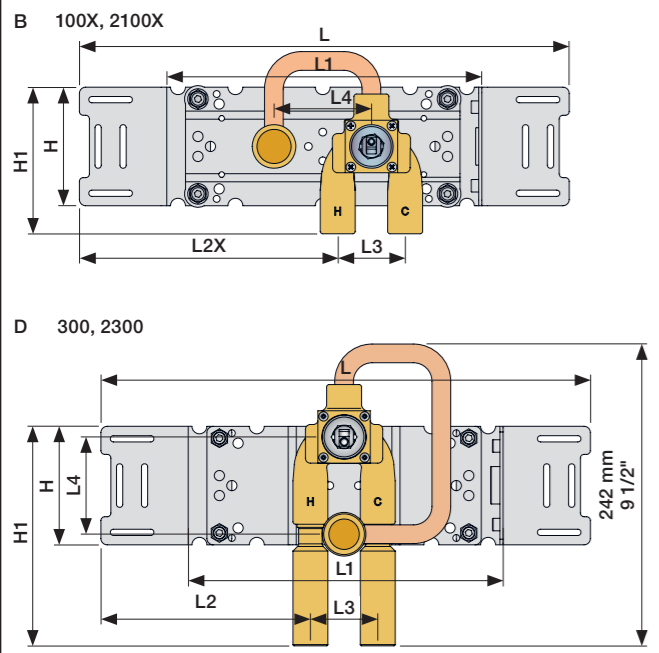
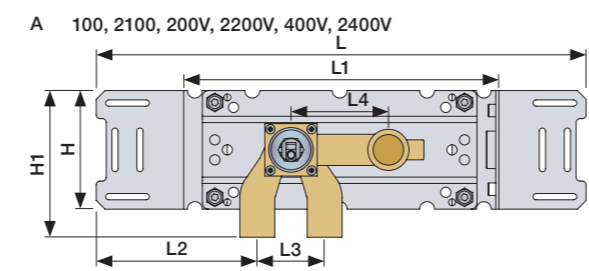


| 100/200/300/400 | VR1264 | VR1400 | VR2019 |
|-----------------|--------|--------|--------|
| 40 - 52 mm      | Std.   | Std.   | Std.   |
| 30 - 40 mm      | +10    | +10    | +10    |
| 20 - 30 mm      | +20    | +20    | +20    |
| 10 - 20 mm      | +30    | +30    | +30    |
| 0 - 10 mm       | +40    | +40    | +40    |
| -10 - 0 mm      | +50    | +50    | +50    |

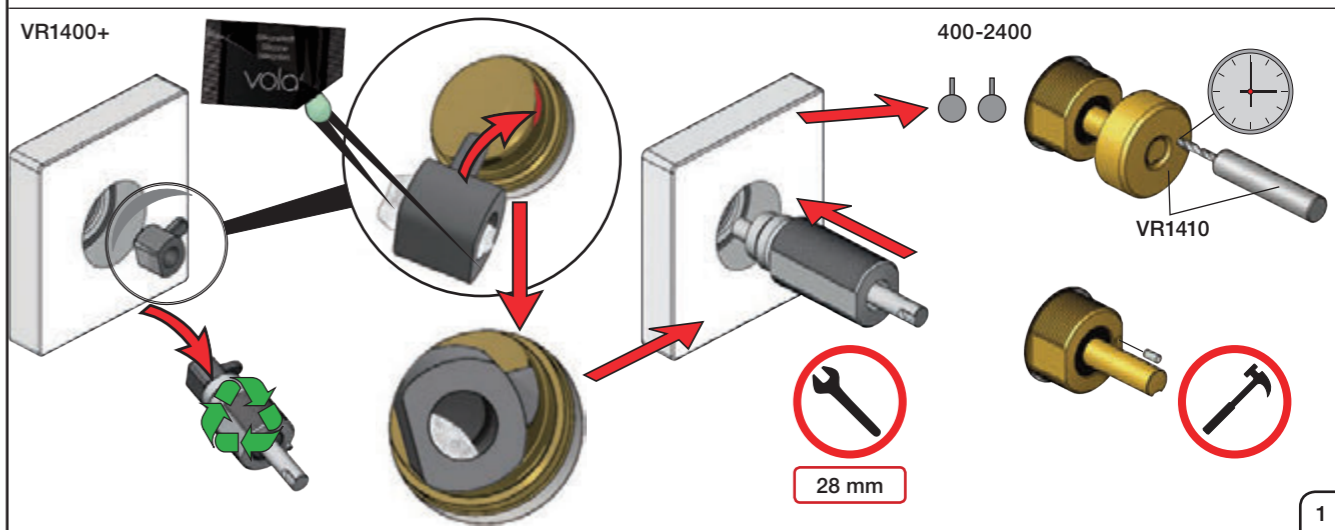
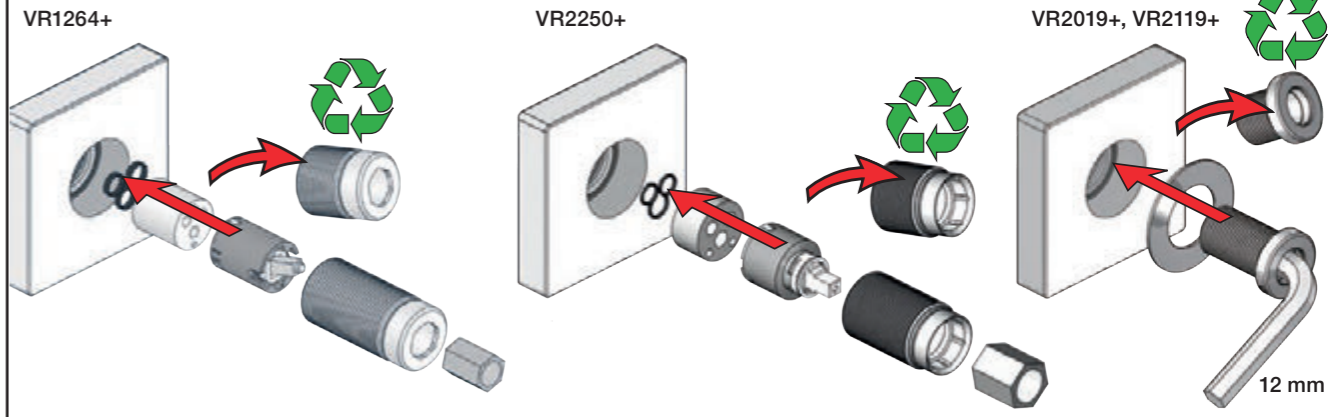
| 2100/2200/2300/2400 | VR2250 | VR1400 | VR2019 |
|---------------------|--------|--------|--------|
| 35 - 47 mm          | Std.   | Std.   | Std.   |
| 25 - 35 mm          | +10    | +10    | +10    |
| 15 - 25 mm          | +20    | +20    | +20    |
| 5 - 15 mm           | +30    | +30    | +30    |
| -5 - 5 mm           | +40    | +40    | +40    |
| -15 - -5 mm         | +50    | +50    | +50    |

|   | L                 | L1            | L2               | L3              | L4               | L5               | H | H1               |
|---|-------------------|---------------|------------------|-----------------|------------------|------------------|---|------------------|
| A |                   |               | 129 mm<br>5"     |                 |                  | -                |   | 120 mm<br>4 3/4" |
| B | 395 mm<br>15 1/2" | 260 mm<br>10" | 207 mm<br>8 1/8" |                 |                  | -                |   | -                |
| C |                   |               | 234 mm<br>9 1/4" | 54 mm<br>2 1/8" | 78 mm<br>3 1/16" |                  |   | -                |
| D |                   |               | 168 mm<br>6 5/8" |                 |                  |                  |   | 175 mm<br>6 7/8" |
| E | 490 mm<br>19 1/2" | 355 mm<br>14" |                  |                 |                  | 78 mm<br>3 1/16" |   | 120 mm<br>4 3/4" |
| F | 570 mm<br>23"     | 435 mm<br>17" | 139 mm<br>5 1/2" |                 |                  | 156 mm<br>6 1/8" |   |                  |

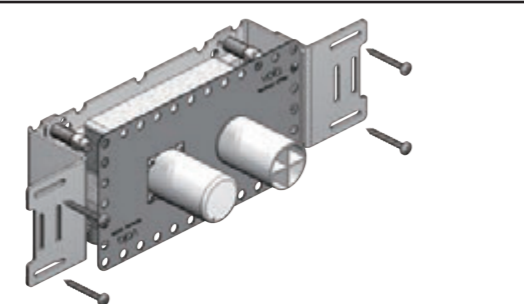
200: 200V + 200M  
 400: 400V + 2 x 200M  
 2400: 2400V + 2 x 200M  
 400N: 400NV + 200M  
 2400N: 2400NV + 200M  
 400T: 400TV + 200M  
 2400T: 2400TV + 200M  
 400F: 400FV + 200M  
 2400F: 2400FV + 200M  
 400R: 400RV + 200M  
 2400R: 2400RV + 200M



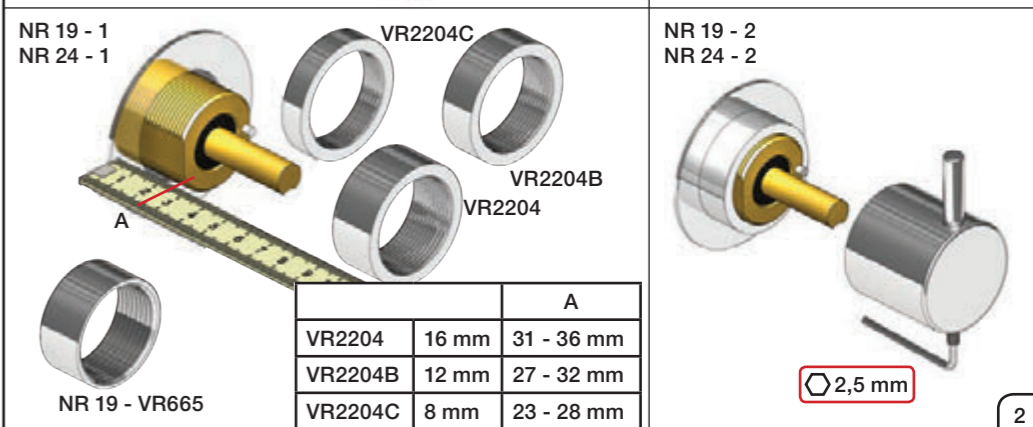
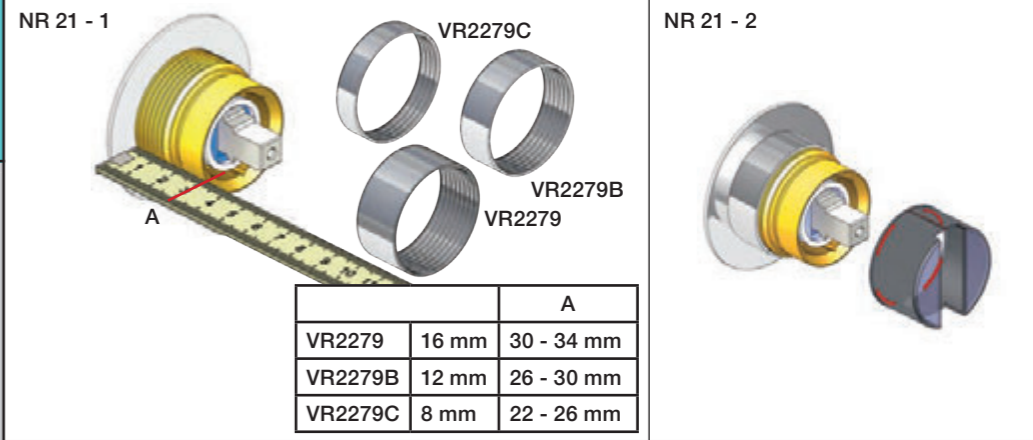
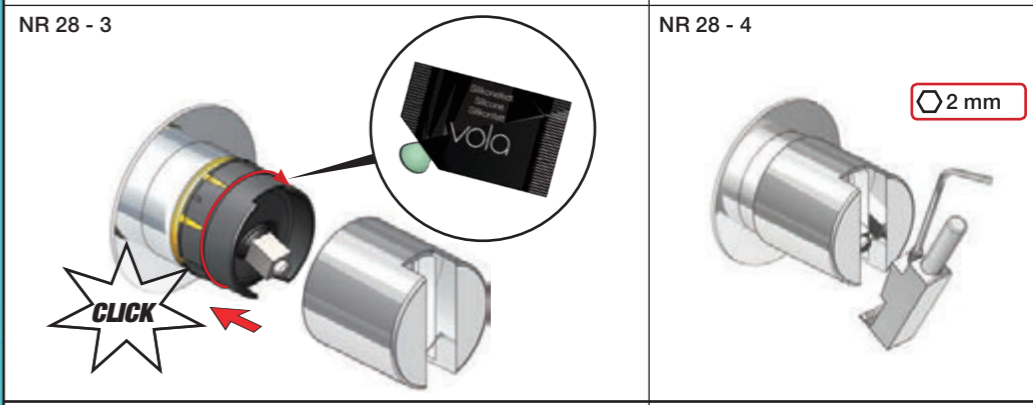
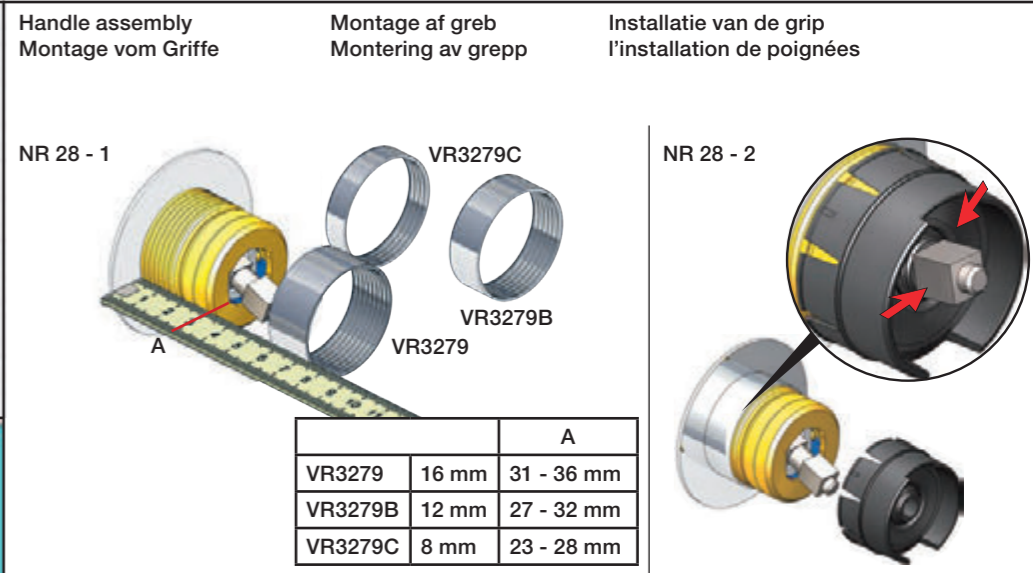
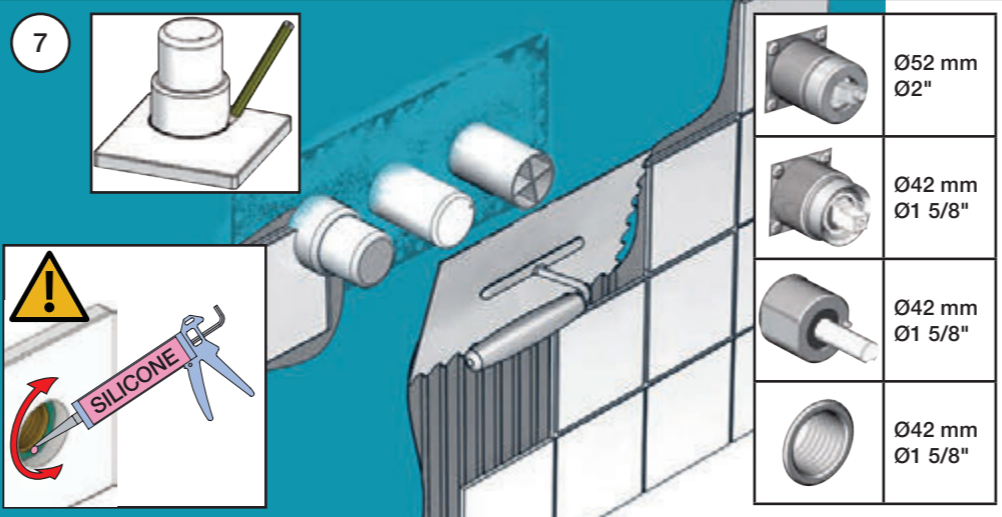
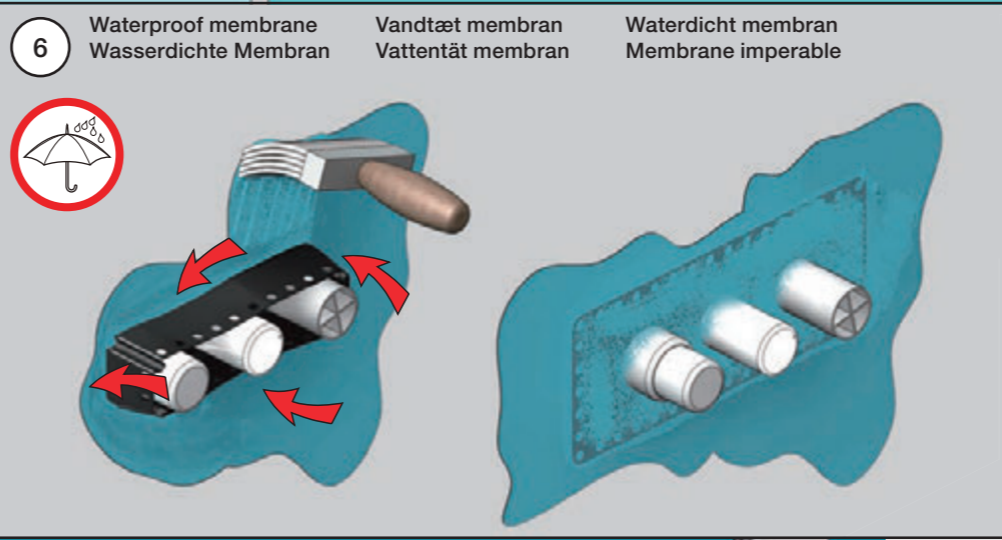
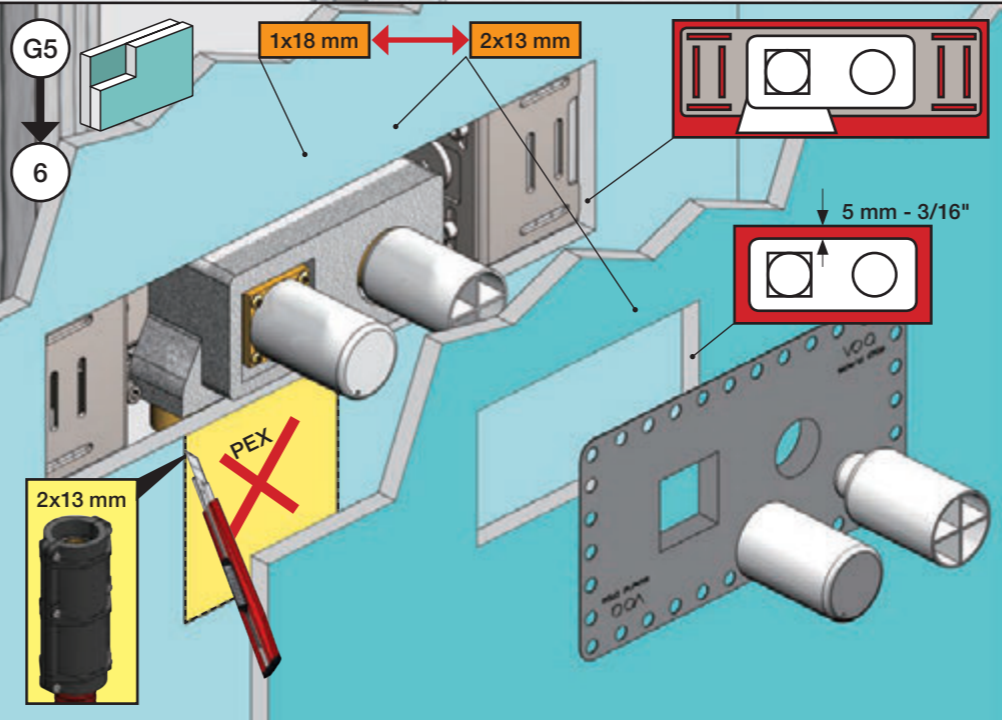
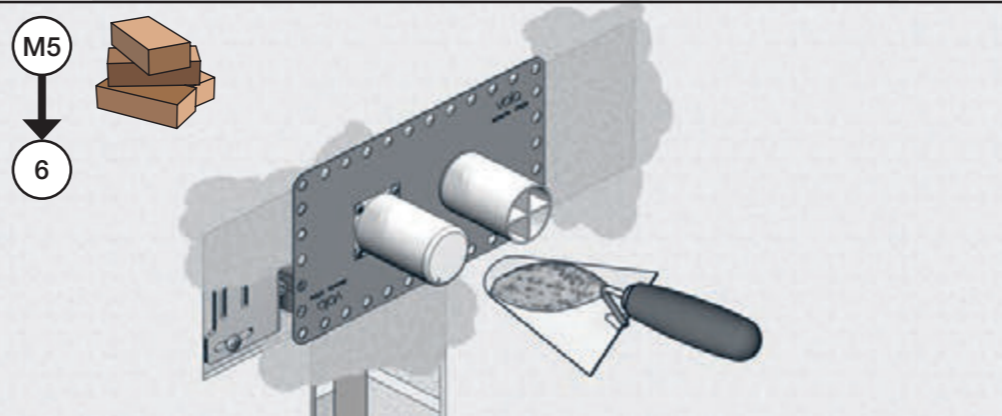
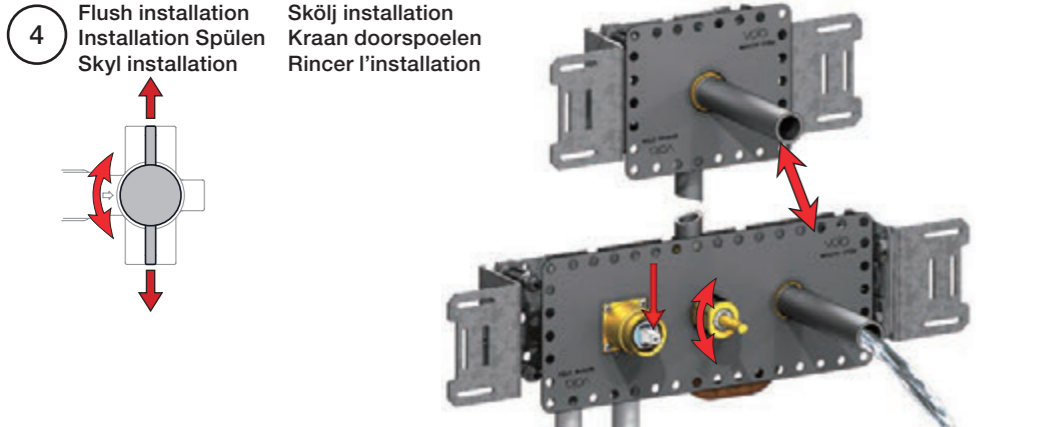
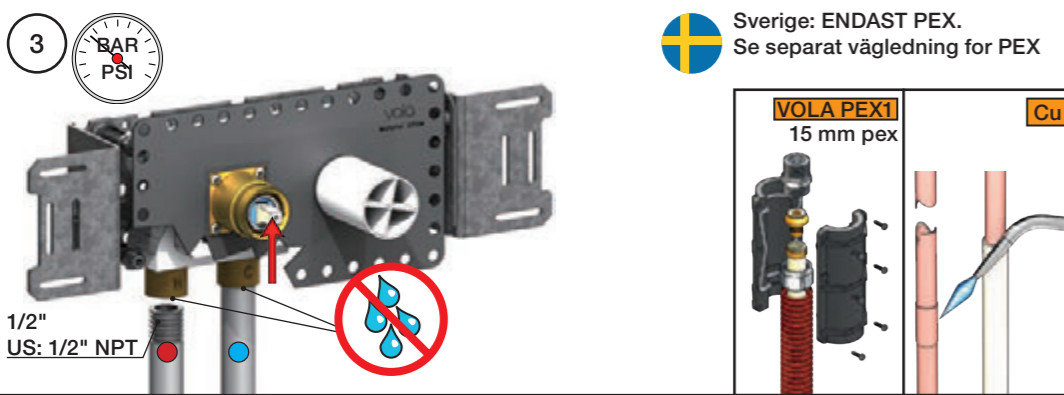
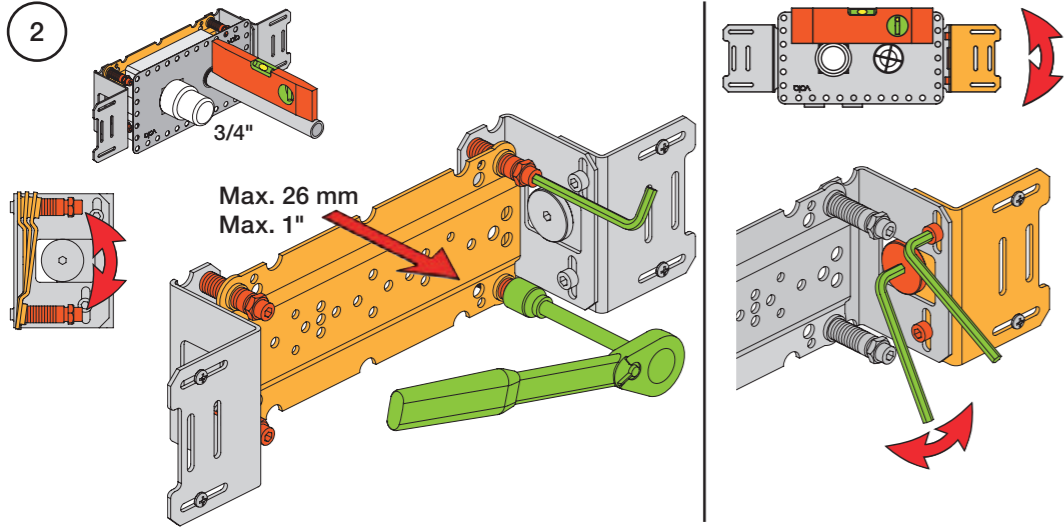
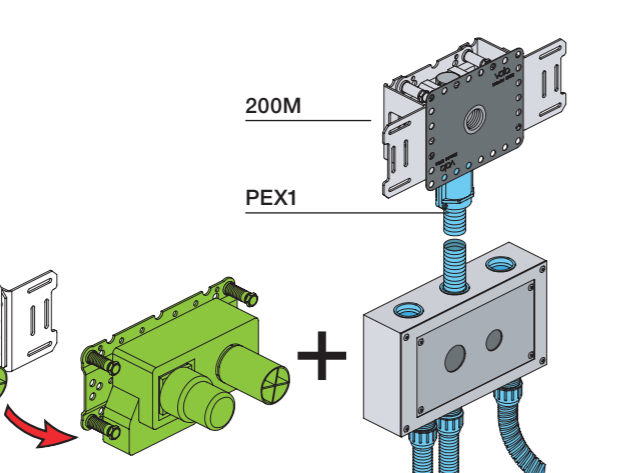
Fitting of extension  
 Montage von verlängerung  
 Monterings af forlængerdele  
 Monterings av förlängning  
 Montage van de verlængstukken  
 Montage des rallonges



1 Check the local legislation.  
 Bitte die örtlichen Vorschriften überprüfen.  
 Tjek de lokale regler.  
 Kontrollera lokala föreskrifter  
 Nazitten lokale regelgeving.  
 Vérifiez la législation locale.




1A   
 Box till inbyggnadsblandare.  
 Boks til indbygningsblander.  
 Laatikko seinäasenteiselle sekoittajalle.  
 Ingår inte i leveransen  
 köps separat.  
 Ikke inkludert, kjøpes  
 separat.  
 Eivät sisälly tilaukseen,  
 ostettava erikseen.



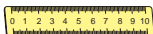
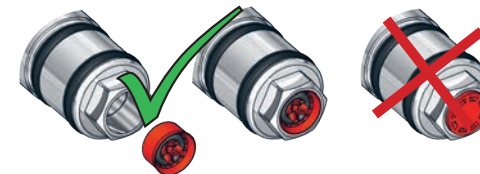
**VOLA 070, 070R, 070-HT2**

Fitting instruction  
 Montageanleitung  
 Monteringsvejledning  
 Monteringsvægledning  
 Montage hanleiding  
 Manuel de montage

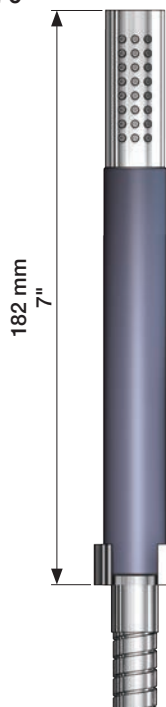
| Data  | Bar:                 | 1        | 2         | 3         | 4         | 5        |
|---|----------------------|----------|-----------|-----------|-----------|----------|
| 070/070R  | (l/min)<br>(Gal/min) | 9<br>2.5 | 9<br>2.5  | 9<br>2.5  | 9<br>2.5  | 9<br>2.5 |
| 070-HT2   | (l/min)<br>(Gal/min) | 9<br>2.5 | 12<br>3.2 | 15<br>4.0 | 17<br>4.5 | 19<br>5  |
|  | Max. 65°C. 150°F     |          |           |           |           |          |



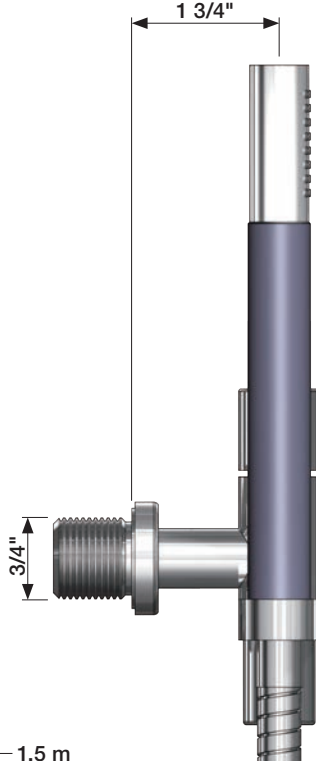
**VR161:**  
 VR161K: 7 l/min - 1.8 Gal/min (Cal Green)



070



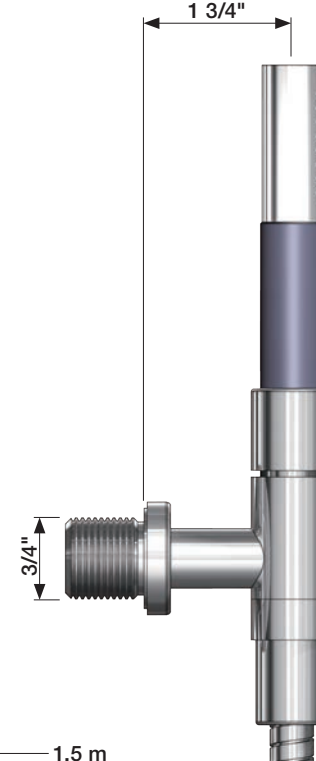
45 mm  
1 3/4"



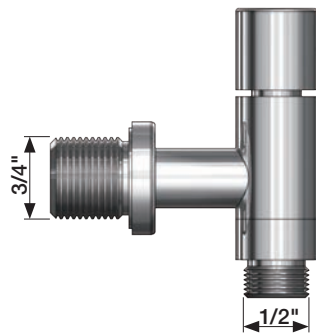
070R



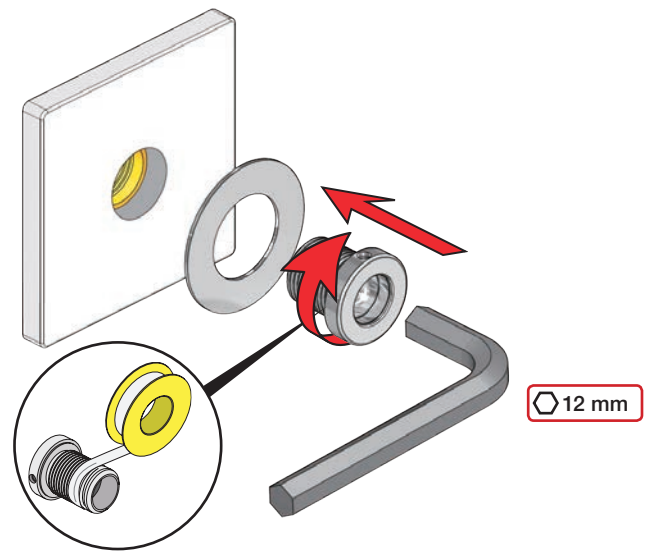
45 mm  
1 3/4"



070-HT2

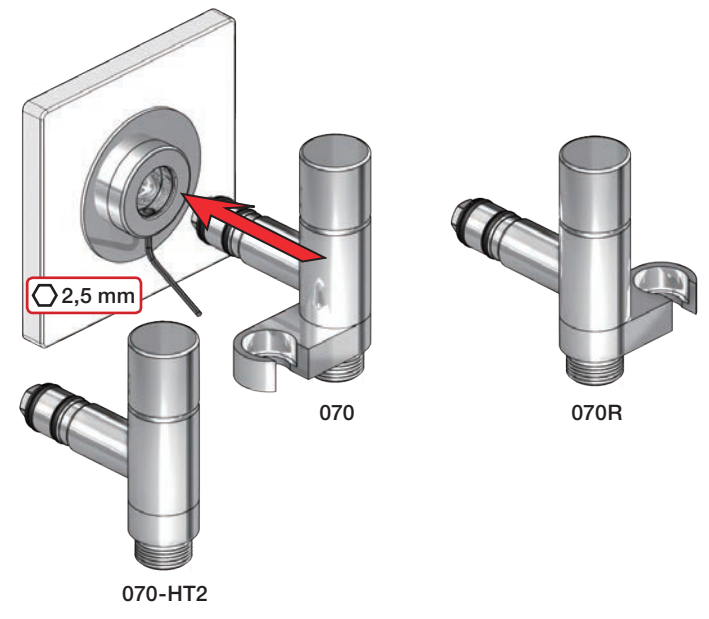


1



12 mm

2



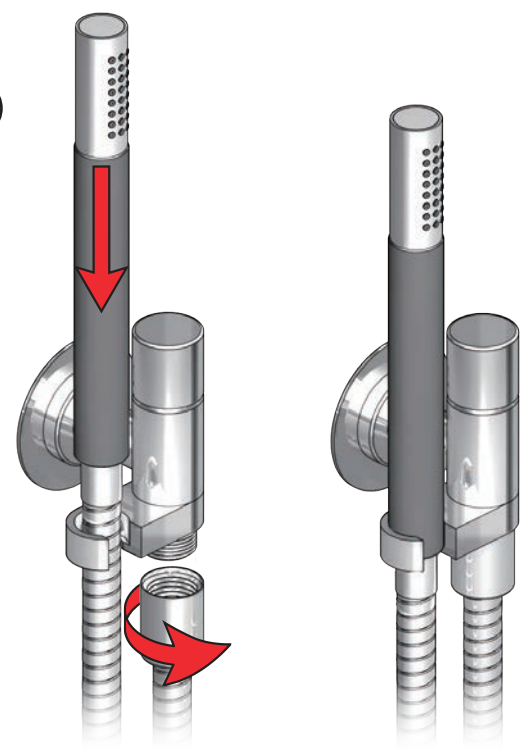
2,5 mm

070

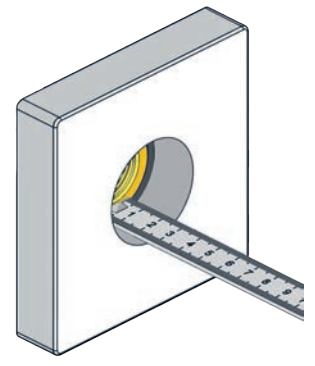
070R


070-HT2

3

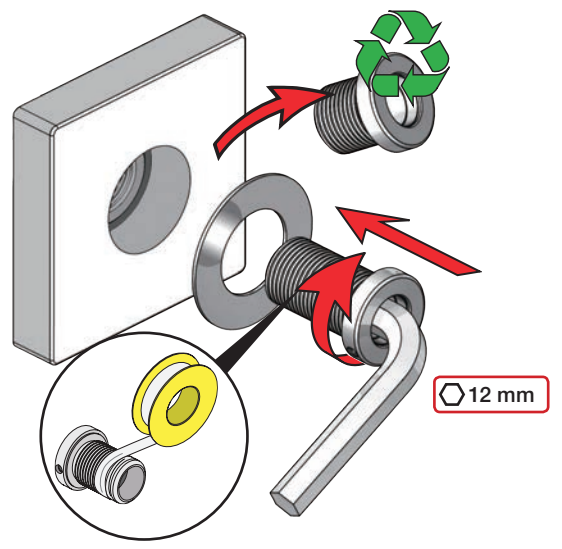


Extension      Forlængerdele      Verlængstukken  
 Verlängerung      Förlängning      Modification

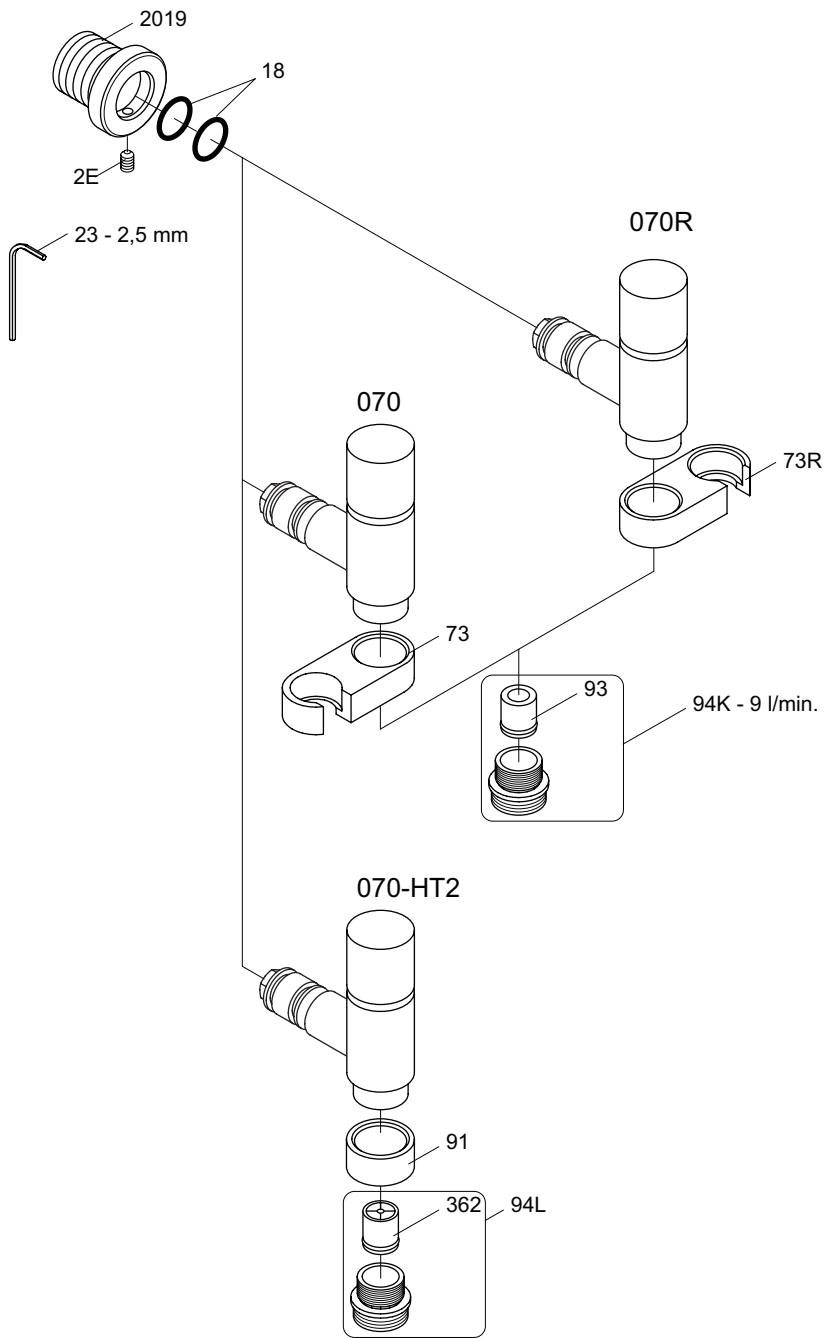


|           |            | VR2019:  |
|-----------|------------|---|
| Tiles:    | 3 - 15 mm  | Standard  |
| Fliesen:  | 15 - 25 mm | VR2019+10   |
| Fliser:   | 25 - 35 mm | VR2019+20   |
| Tegels:   | 35 - 45 mm | VR2019+30   |
| Carreaux: | 45 - 55 mm | VR2019+40   |
|           | 55 - 65 mm | VR2019+50   |

VR2019+



12 mm



**vola**  
 Lunavej 2  
 DK-8700 Horsens  
 Tlf : + 45 7023 5500  
 Fax: + 45 7023 5511  
 sales@vola.com  
 www.vola.com

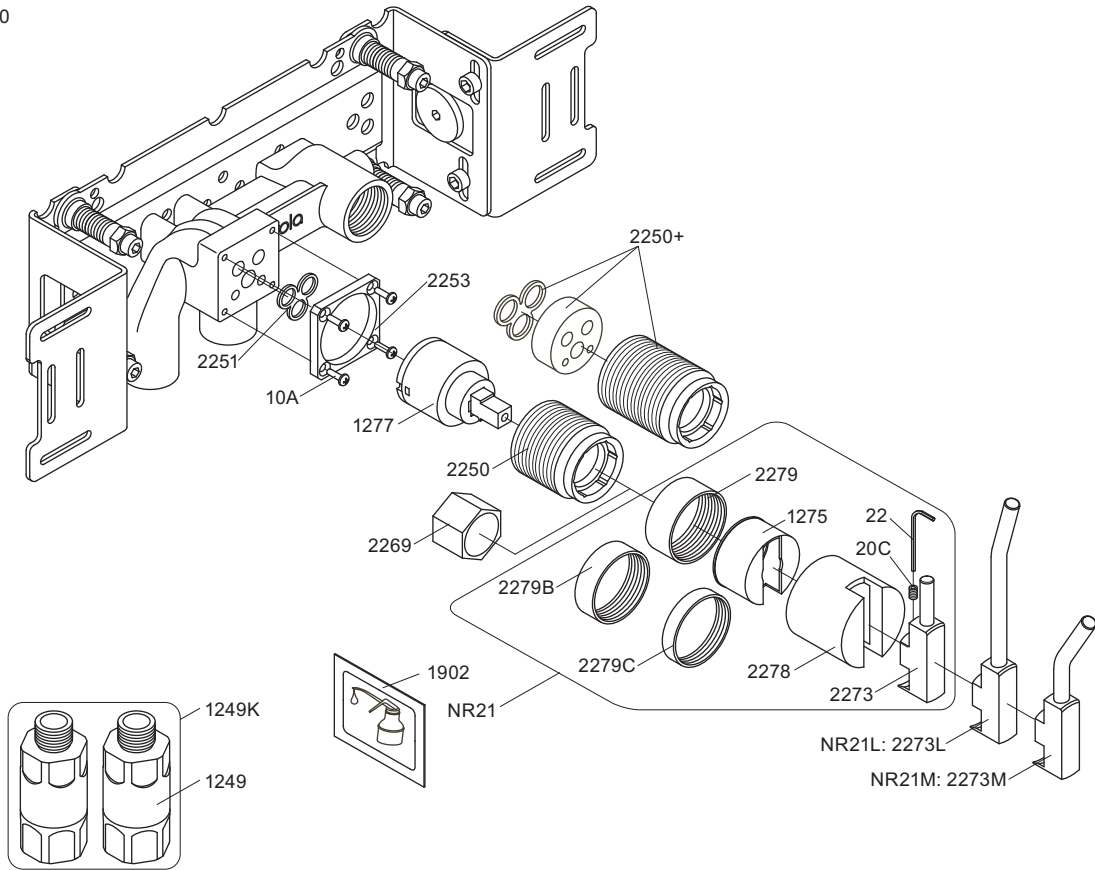
## VOLA 070, 070R 070-HT2

Date  
 Jun. 15

Rev.  
 4

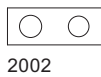
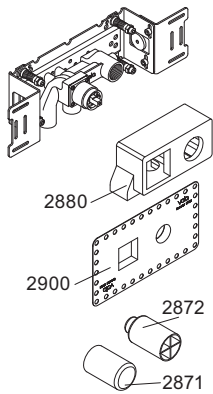
Sheet  
 SB 16

2100

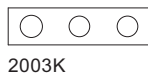
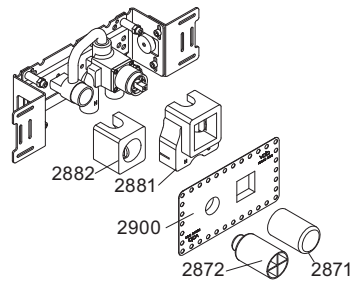


NR21: VR020C, VR22, VR1275, VR2269, VR2273, VR2278, VR2279, VR2279B, VR2279C  
 VR1277K: VR22, VR1277, VR2269

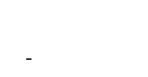
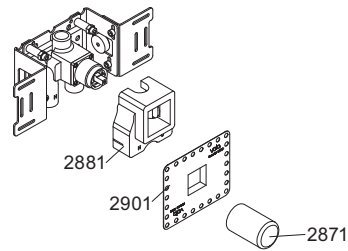
2100



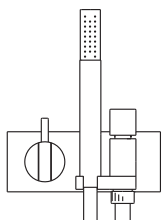
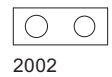
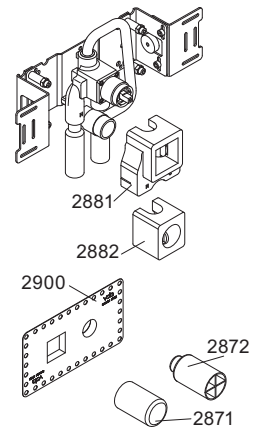
2100X



2200V



2300



**VOLA A/S**  
 Lunavej 2  
 DK-8700 Horsens  
 Tlf : + 45 7023 5500  
 Fax: + 45 7023 5511  
 sales@vola.com  
 www.vola.com

**VOLA 2100**  
 2100X, 2200V, 2300

Dato

Feb. 10

Rev.

1

Blad

SB 10.7