

Date:

Client:

Project:

VOLA product: 2171S-T65



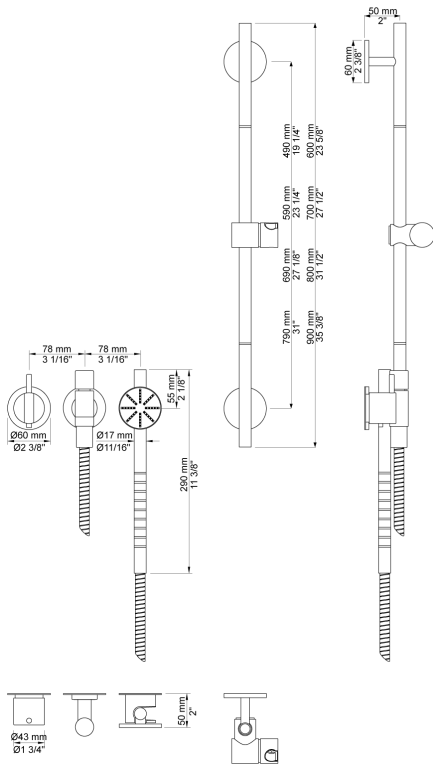
2171S-T65

One-handle build-in mixer with hand shower and rail. 2171S-T65UP = Mixer 2100. 2171S-T65AP = Handle NR21, hand shower and hand shower holder with non-return valve 070S, hose 1500 mm, 2 pcs. 60 mm circular flanges 001, 2001 and shower rail with hand shower T65.

Flow

	Bar:	1.0	2.0	3.0	4.0	5.0
2171S-T65 ¹⁾	(l/min)	6.9	9.8	12.0	13.9	15.5

¹⁾ USA: Flow restricted to 2 gpm (7.6 l/min)



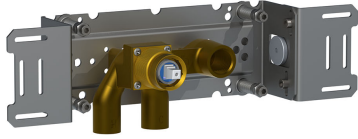
Available in colors

- Color 02, Grey
- Color 04, Light blue
- Color 05, Orange
- Color 06, Light green
- Color 08, Yellow
- Color 09, Dark grey
- Color 12, Mocca
- Color 14, Bright red
- Color 15, Dark blue
- Color 16, Polished chrome
- Color 17, Gloss black
- Color 18, White
- Color 19, Natural brass
- Color 20, Brushed chrome
- Color 21, Carmine red
- Color 25, Pink
- Color 27, Matt black
- Color 40, Brushed stainless steel

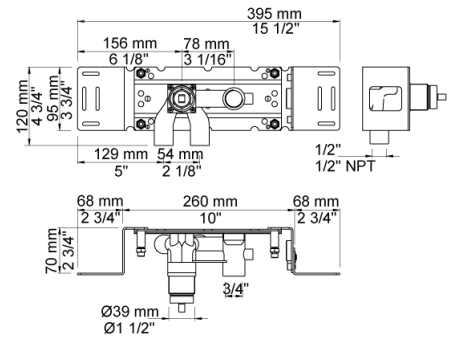
Date:

Client:

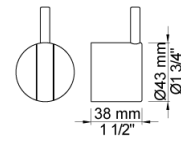
Project:



2100
One-handle build-in mixer for high flow, with fixed outlet socket. 1/2" connection to copper, steel, iron or pex pipe work.



NR21
Operating handle for 2100, 2200, 2300, 2400 incl. variants. Ø43 mm.





T65
Shower rail (Standard length 700 mm) with hand shower and hose T60.

