

Date:

Client:

Project:

VOLA product: 2171-T34



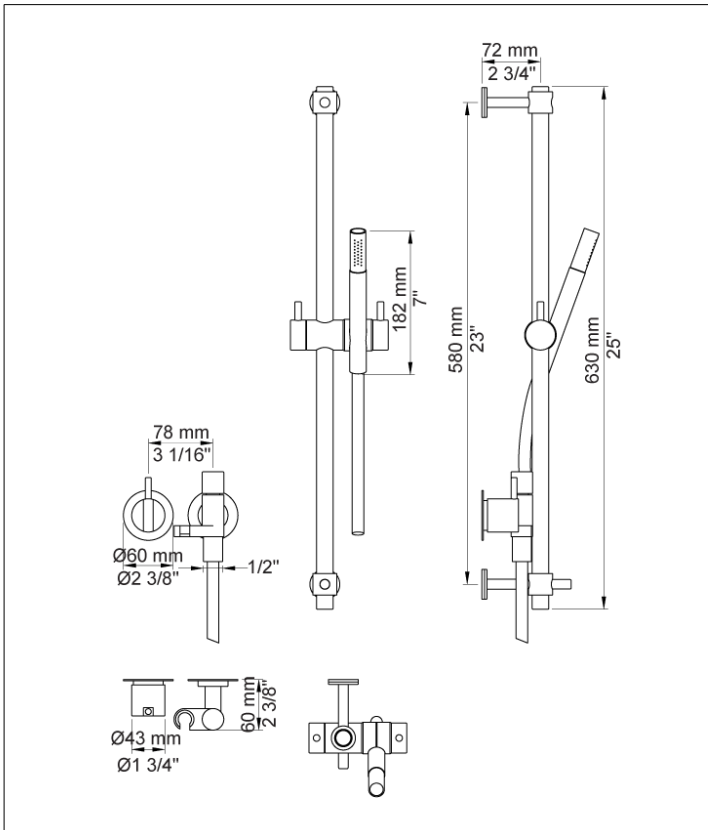
**2171-T34**

One-handle mixer with hand shower and rail. 2171-T34UP = Mixer 2100. 2171-T34AP = Handle NR21, hand shower and hand shower holder with non-return valve 070, hose 1500 mm, 60 mm circular flanges 2001, 001 and shower rail T34-T2.

**Flow**

	Bar:	1.0	2.0	3.0	4.0	5.0
2171-T34 <sup>1)</sup>	(l/min)	5.2	7.4	9.0	9.0	9.0

<sup>1)</sup> USA: Flow restricted to 1.8 gpm (7.0 l/min)



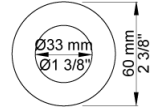
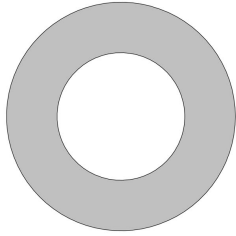
**Available in colors**

- Color 02, Grey
- Color 04, Light blue
- Color 05, Orange
- Color 06, Light green
- Color 08, Yellow
- Color 09, Dark grey
- Color 12, Mocca
- Color 14, Bright red
- Color 15, Dark blue
- Color 16, Polished chrome
- Color 17, Gloss black
- Color 18, White
- Color 19, Natural brass
- Color 20, Brushed chrome
- Color 21, Carmine red
- Color 25, Pink
- Color 27, Matt black
- Color 40, Brushed stainless steel

Date:

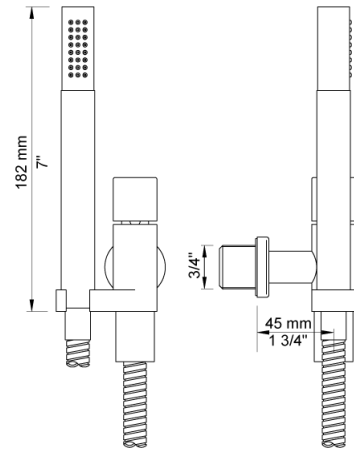
Client:

Project:



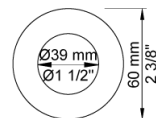
**001**

60 mm circular flange. Hole Ø33 mm.



**070**

Hand shower, hand shower holder and hose with non-return valve.



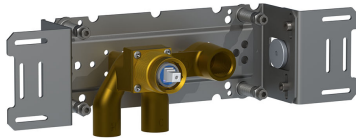
**2001**

60 mm circular flange. Hole Ø39 mm.

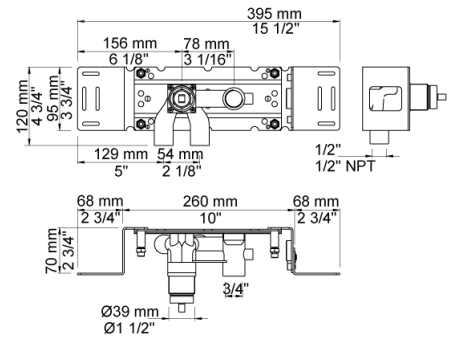
Date:

Client:

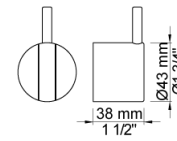
Project:



**2100**  
One-handle build-in mixer for high flow, with fixed outlet socket. 1/2" connection to copper, steel, iron or pex pipe work.



**NR21**  
Operating handle for 2100, 2200, 2300, 2400 incl. variants. Ø43 mm.



**T34-T2**  
Shower rail without hand shower T2.

