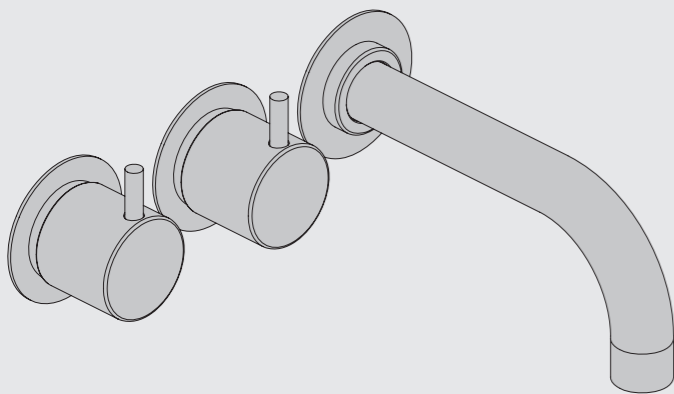


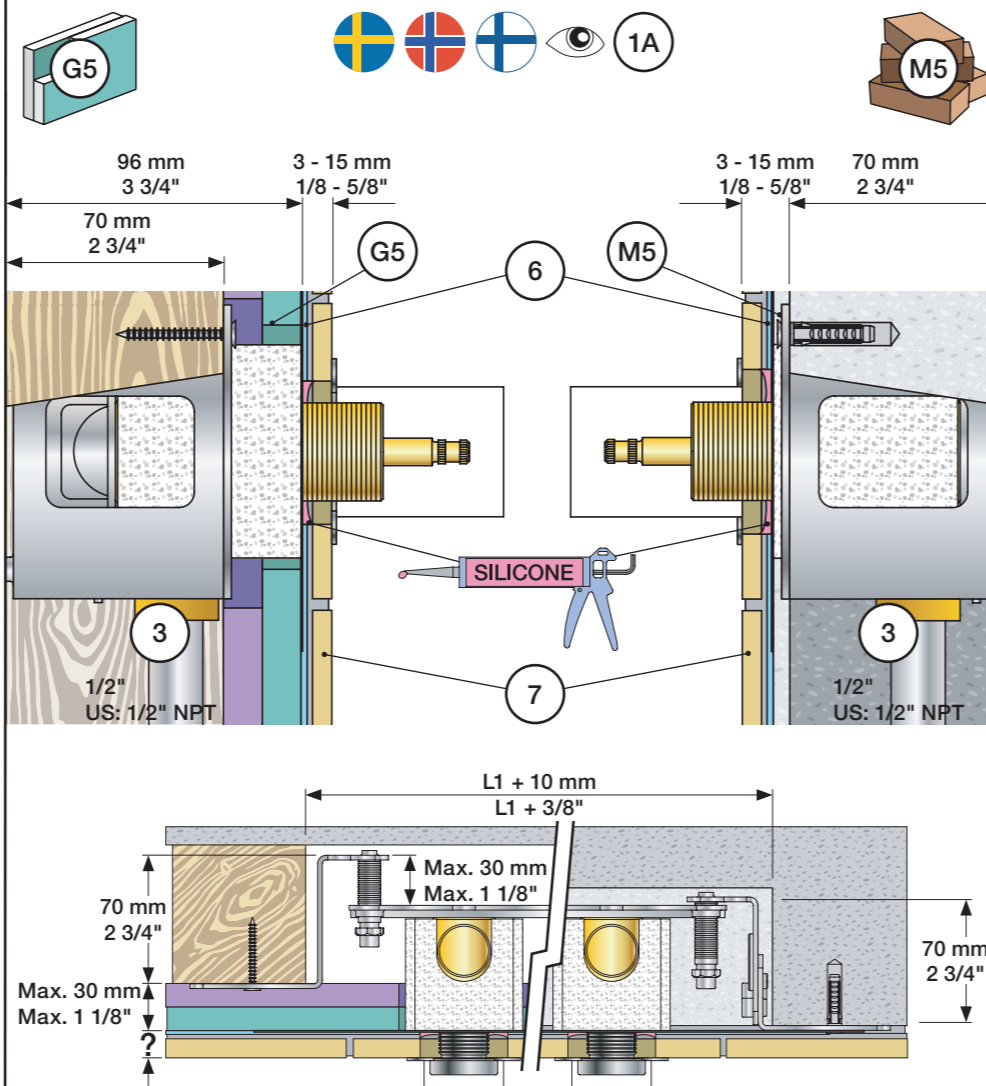
VOLA 600, 700, 700V, 900, 1500  
 VOLA 800, 800V, 800N, 800NV, 800T, 800TV  
 VOLA S20V, S40V

Fitting instruction  
 Montageanleitung  
 Monteringsvejledning

Monteringsvægledning  
 Montage hanleiding  
 Manuel de montage



www.vola.com  
 600-1500\_V7 40999852



**Data, 3 Bar/43.5 Psi:**

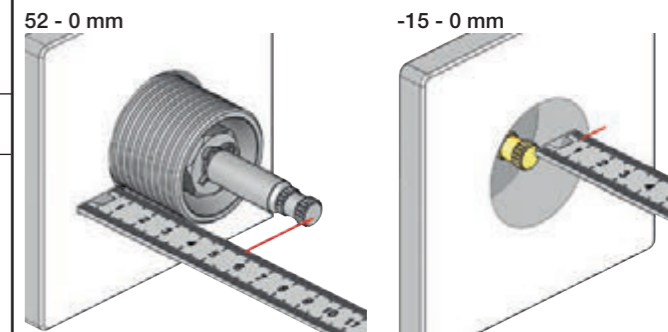
|       |        |          |                  |
|-------|--------|----------|------------------|
| Max:  | l/min. | Gal/min. | Max. 65°C, 150°F |
| 600:  | 65     | 17.2     |                  |
| 700V: | 65     | 17.2     |                  |
| 800V: | 34     | 9.0      |                  |
| 900:  | 30     | 8.0      |                  |
| 1500: | 65     | 17.2     |                  |

Max.: 10 Bar/145 psi

| Extension<br>Verlängerung | Forlængerdele<br>Förlängning | Verlængstucken<br>Modification |
|---------------------------|------------------------------|--------------------------------|
| VR697                     | 600, 700V, 800V: 2xVR697     |                                |
| VR698                     | 1500: 1xVR697+1xVR698        |                                |
|                           | 900: 1xVR697                 |                                |

|           | VR697          | VR1400 | VR2019 |
|-----------|----------------|--------|--------|
| Tiles:    | 3 - 15 mm Std. | Std.   | Std.   |
| Fliesen:  | 15 - 25 mm +10 | +10    | +10    |
| Fliser:   | 25 - 35 mm +20 | +20    | +20    |
| Tegels:   | 35 - 45 mm +30 | +30    | +30    |
| Carreaux: | 45 - 55 mm +40 | +40    | +40    |
|           | 55 - 65 mm +50 | +50    | +50    |

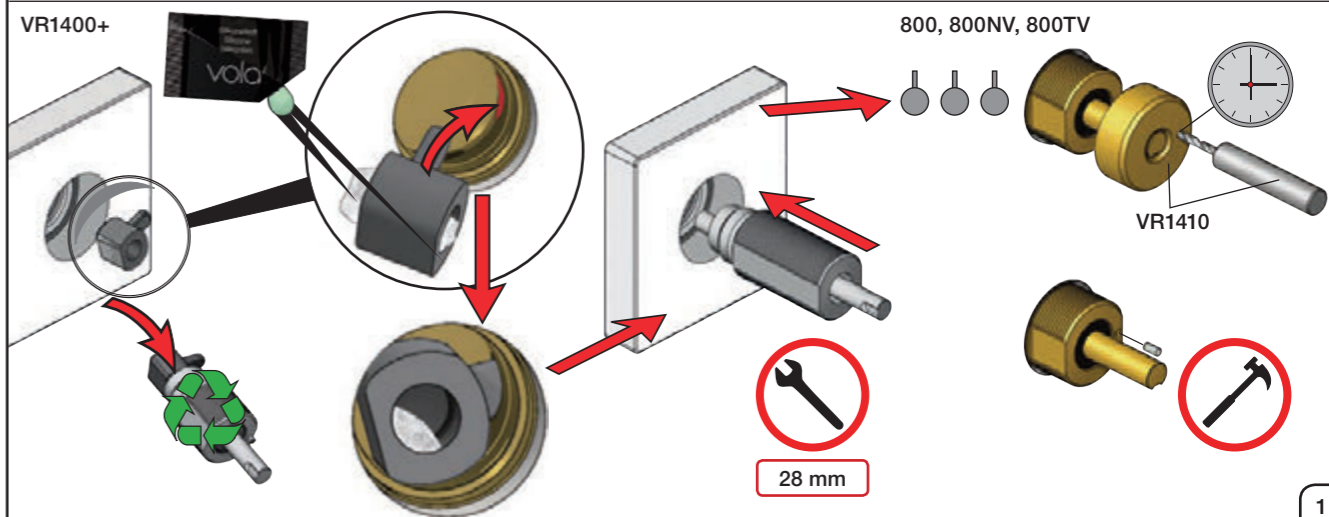
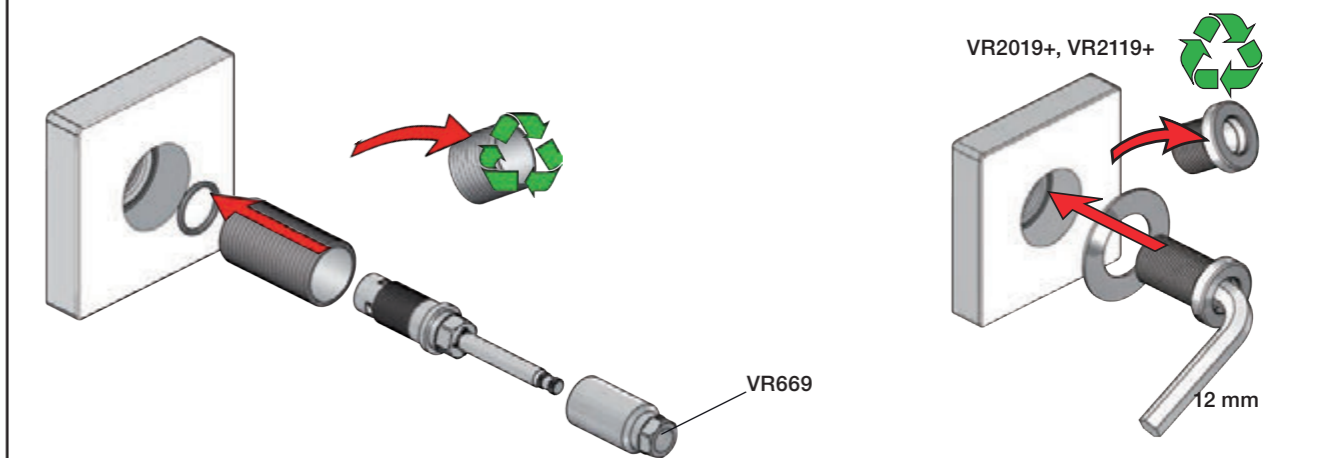
Extension, retrofit  
 Verlängerung, nachträglicher Einbau  
 Forlængerdele, eftermontering  
 Förlängning, eftermontering  
 Aanpassing na montage  
 Modification après installation



Fitting of extension  
 Montage von verlängerung

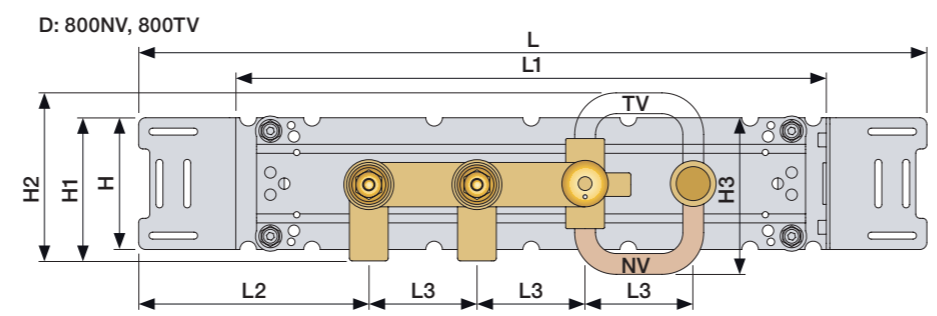
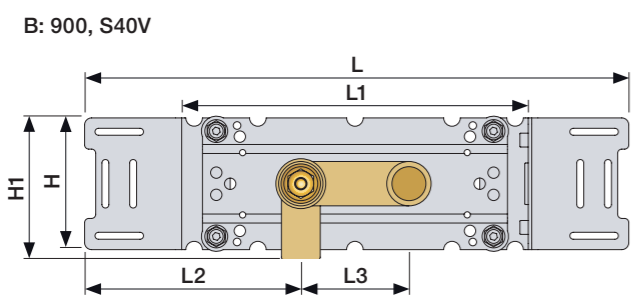
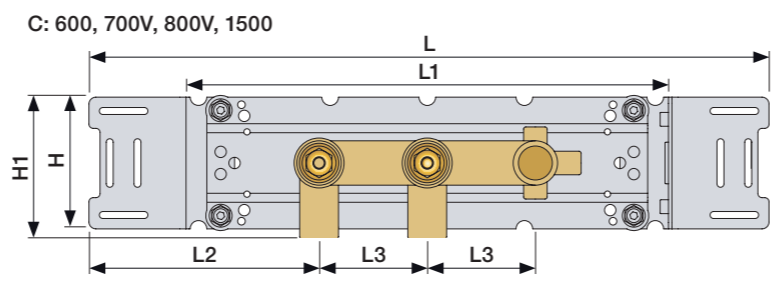
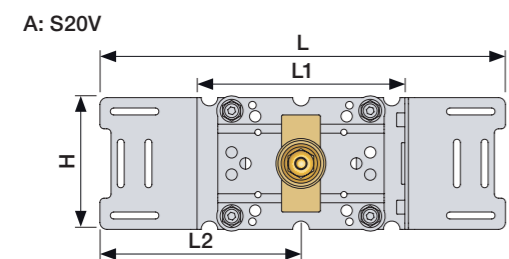
Montering af forlængerdele  
 Montering av förlängning

Montage van de verlængstucken  
 Montage des rallonges

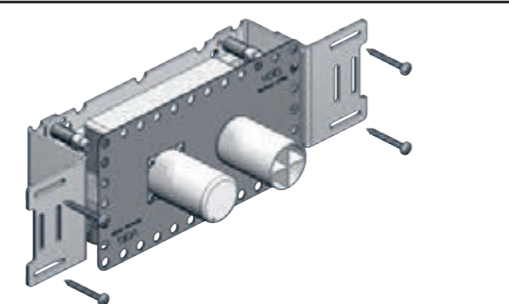


|   | L                 | L1               | L2               | L3               | H               | H1           | H2               | H3               |
|---|-------------------|------------------|------------------|------------------|-----------------|--------------|------------------|------------------|
| A | 295 mm<br>11 1/2" | 160 mm<br>6 1/2" | 145 mm<br>5 3/4" | -                | 95 mm<br>3 3/4" | 103 mm<br>4" | -                | -                |
| B | 395 mm<br>15 1/2" | 260 mm<br>10"    | 156 mm<br>6 1/8" | -                |                 |              | -                | -                |
| C | 490 mm<br>19 1/2" | 355 mm<br>14"    | 166 mm<br>6 1/2" | 78 mm<br>3 1/16" |                 |              | -                | -                |
| D | 570 mm<br>23"     | 435 mm<br>17"    | -                | -                |                 |              | 122 mm<br>4 3/4" | 113 mm<br>4 1/2" |

700: 700V + 200M  
 800: 800V + 2 x 200M  
 800N: 800NV + 200M  
 800T: 800TV + 200M



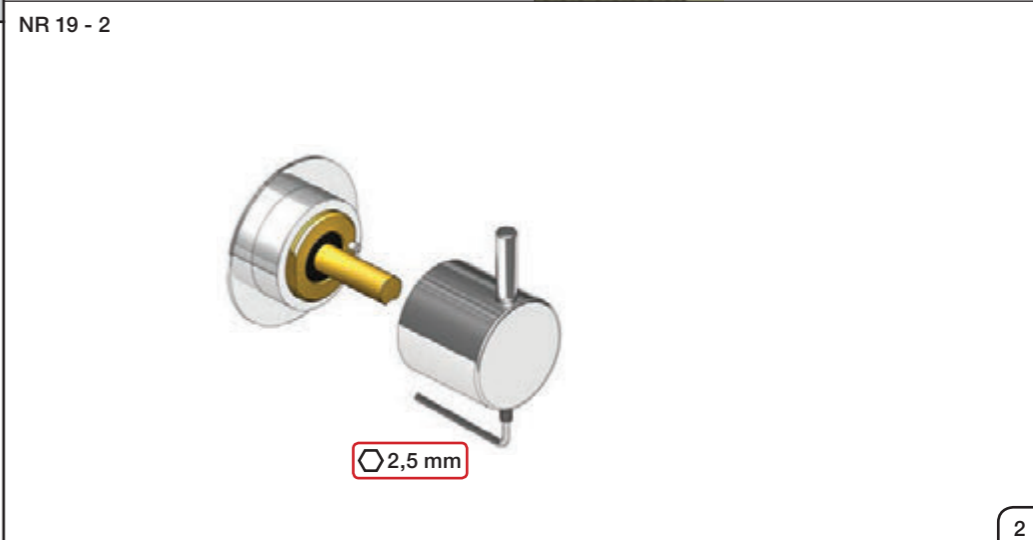
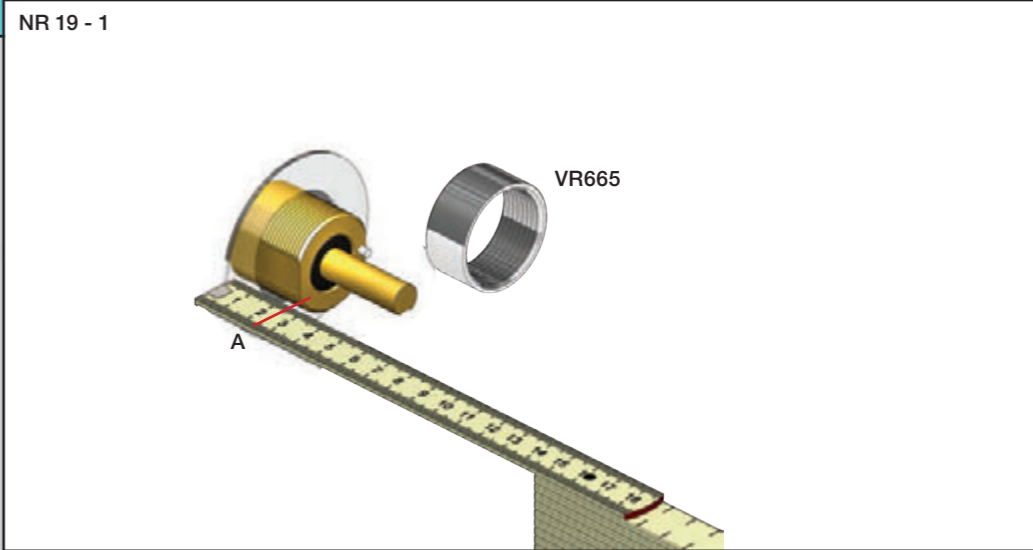
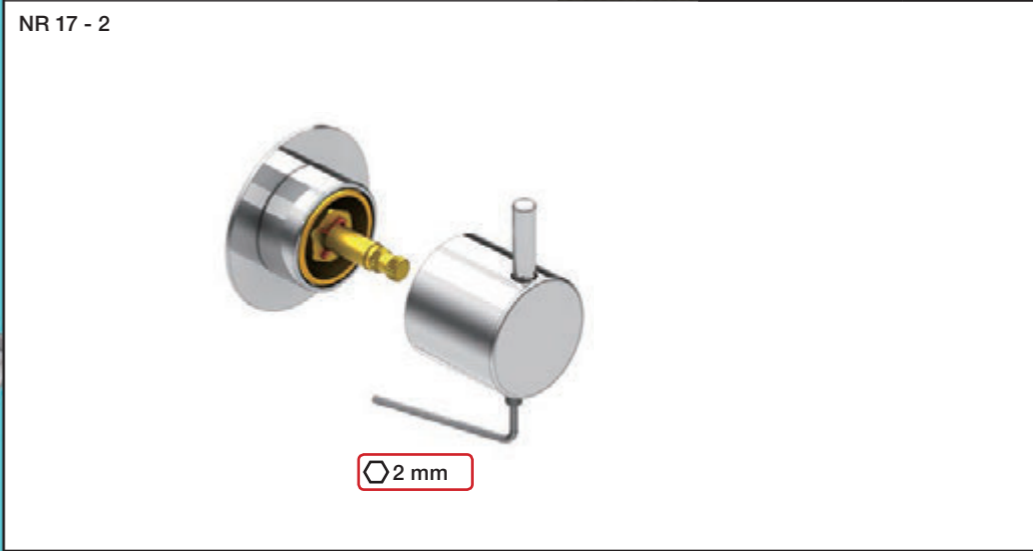
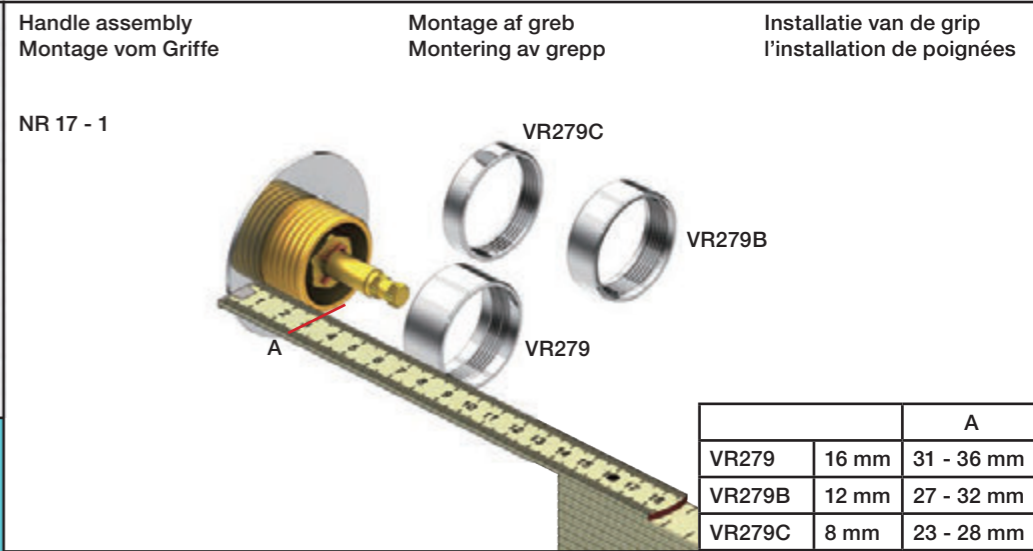
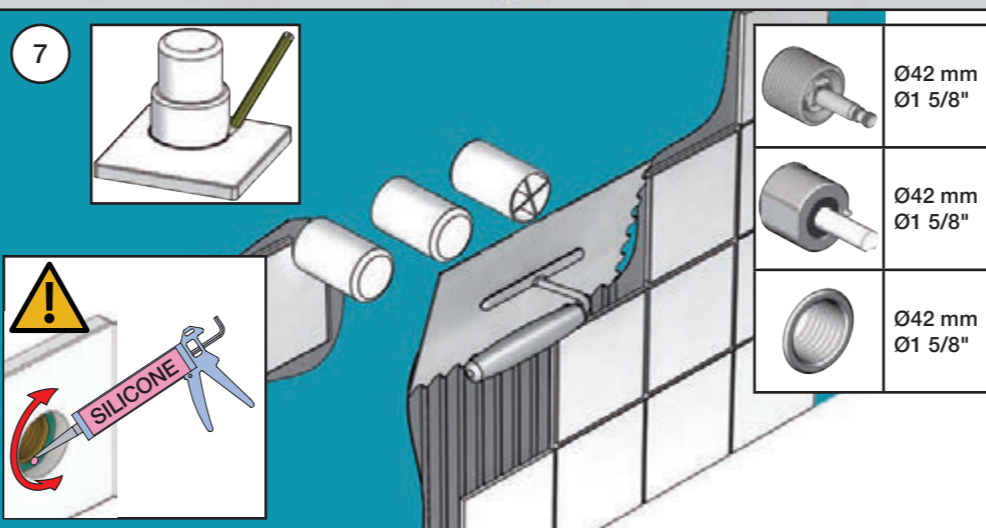
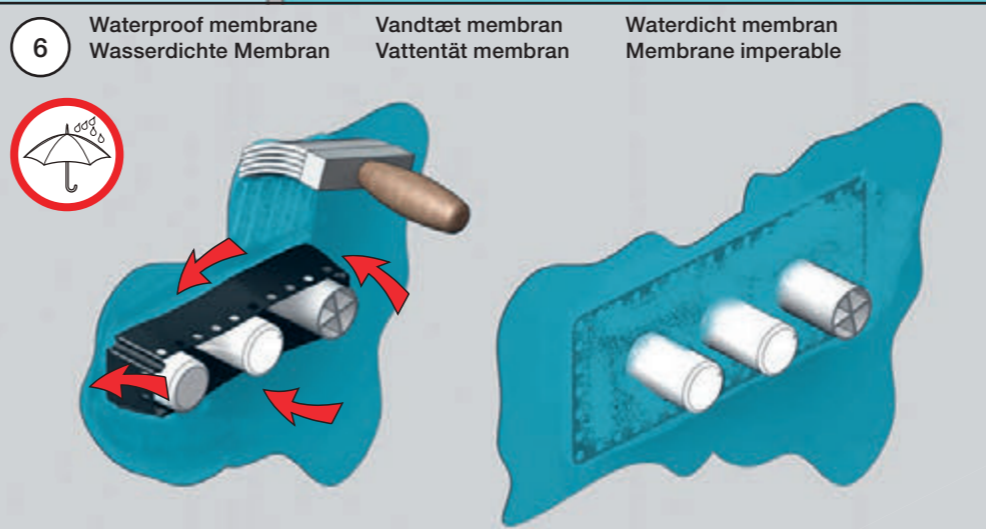
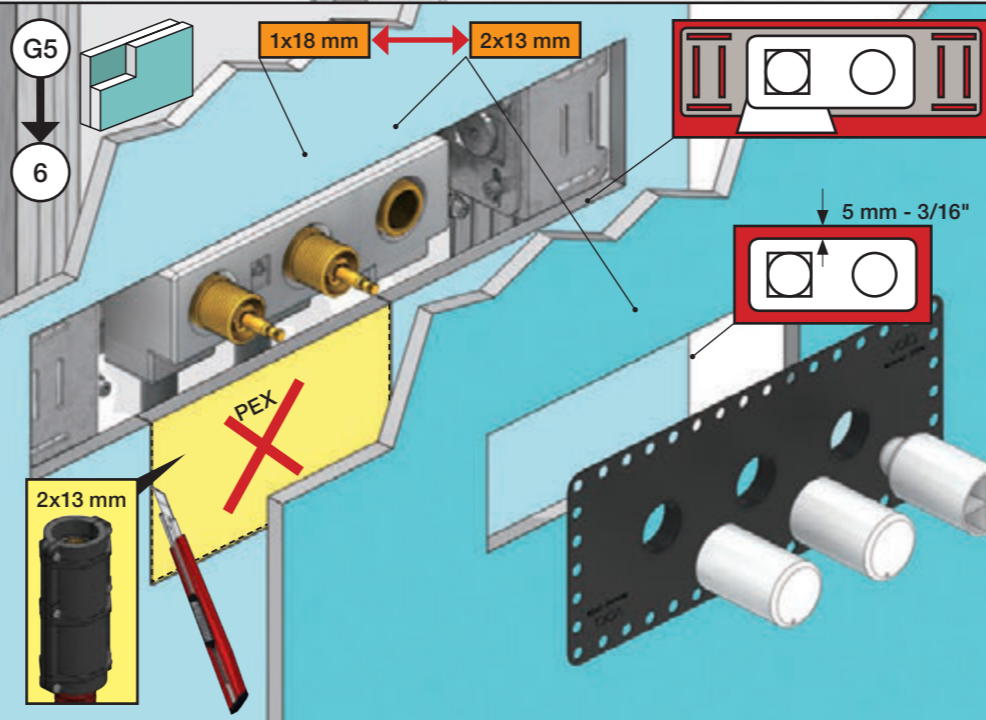
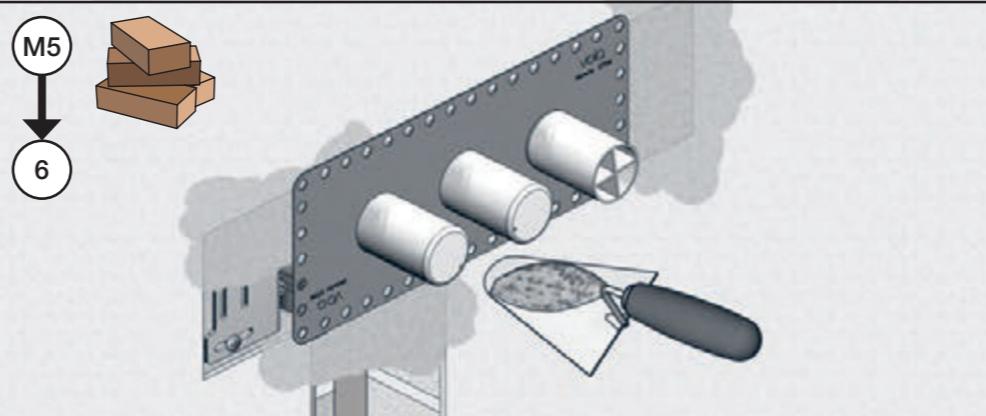
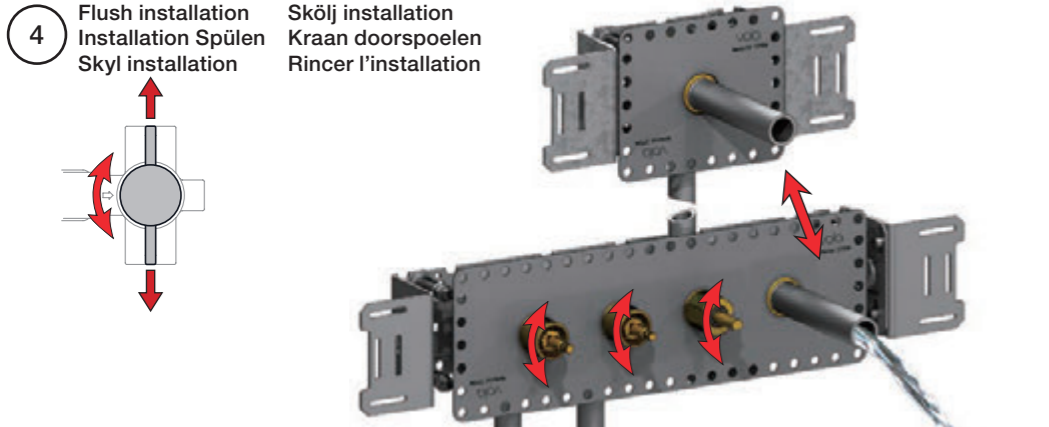
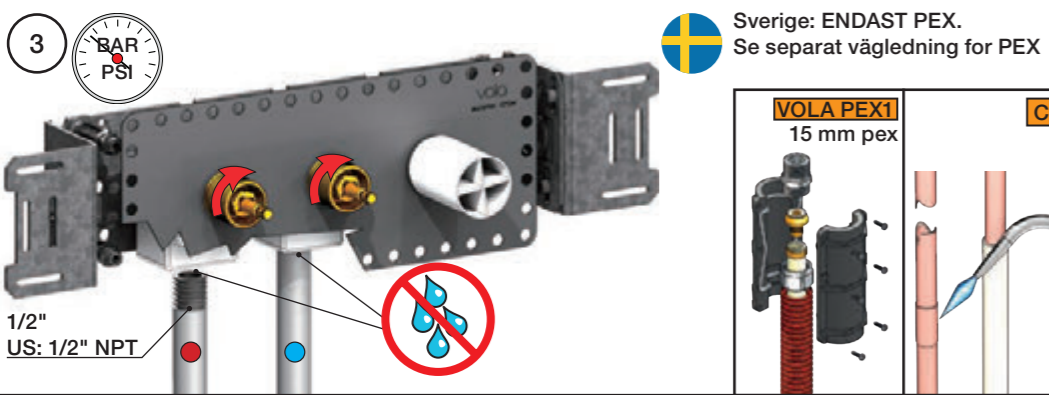
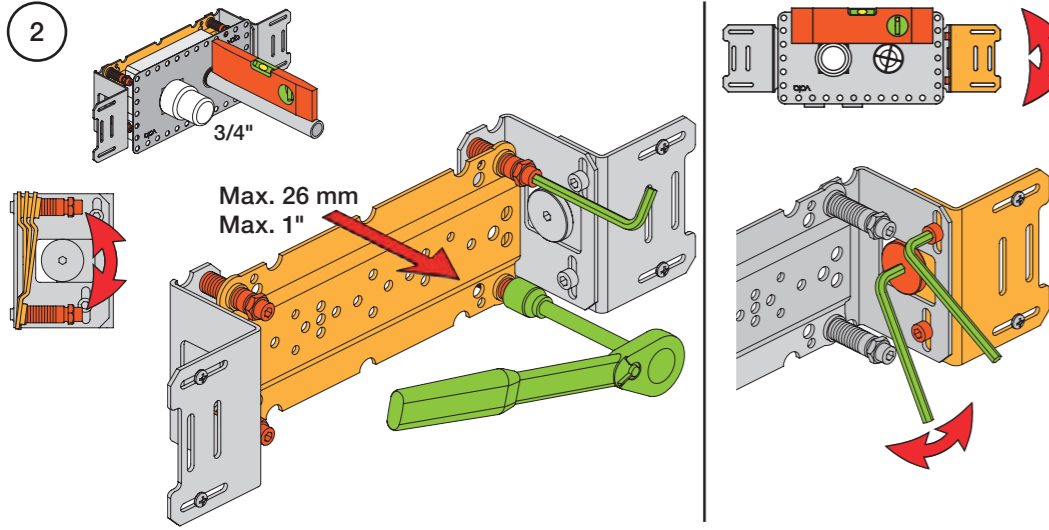
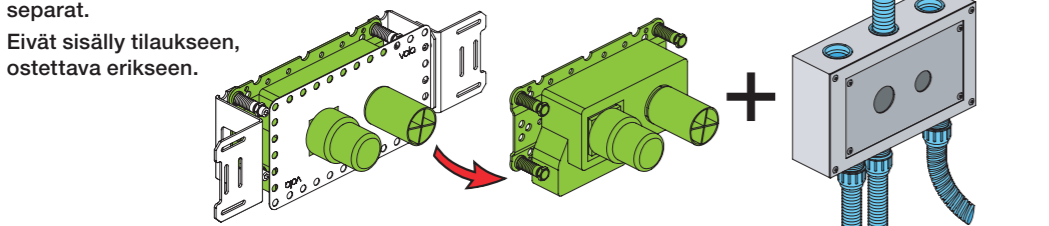
1 Check the local legislation.  
 Bitte die örtlichen Vorschriften überprüfen.  
 Tjek de lokale regler.  
 Kontrollera lokala föreskrifter  
 Nazitten lokale regelgeving.  
 Vérifiez la législation locale.



1A


Box till inbyggnadsblandare.  
 Boks til indbygningsblander.  
 Laatikko seinäasenteiselle sekoittajalle.

Ingår inte i leveransen  
 köps separat.  
 Ikke inkludert, kjøpes  
 separat.  
 Eivät sisälly tilaukseen,  
 ostettava erikseen.



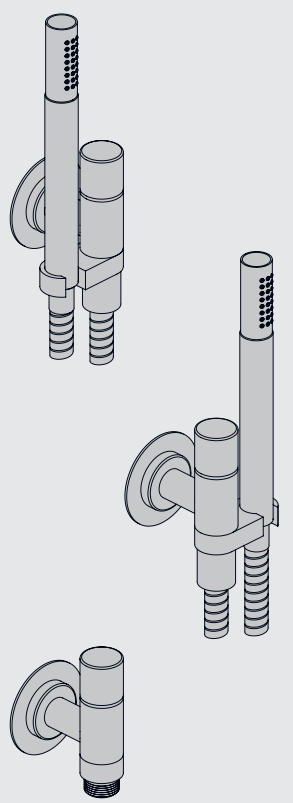
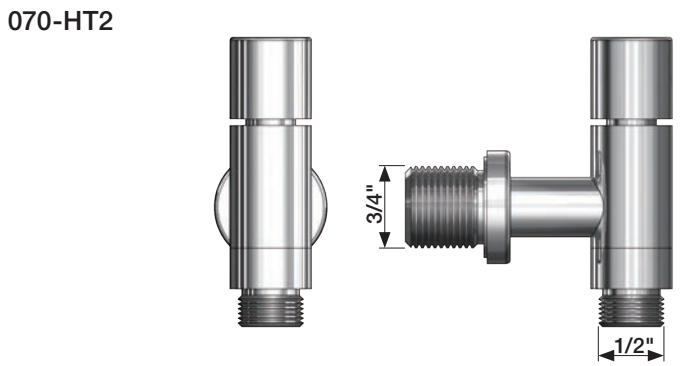
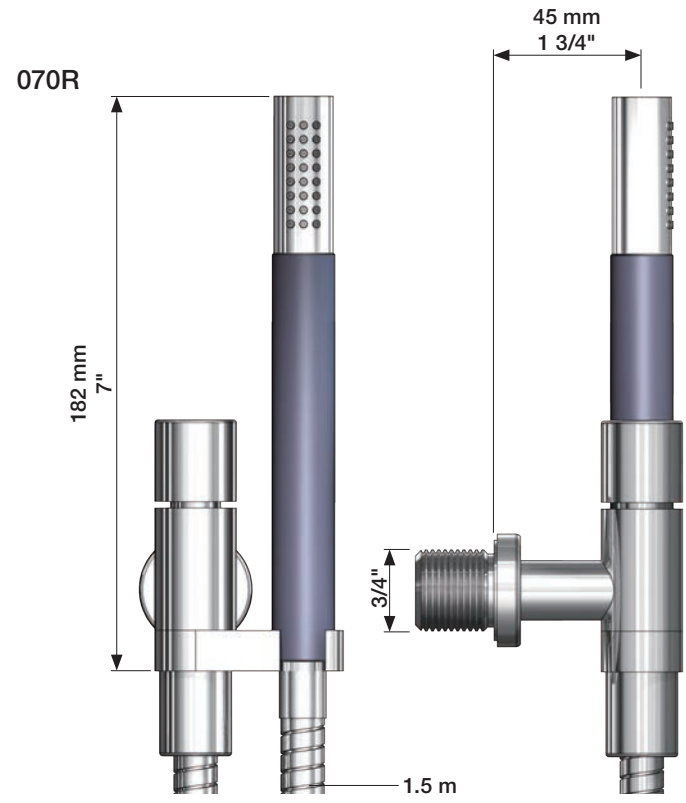
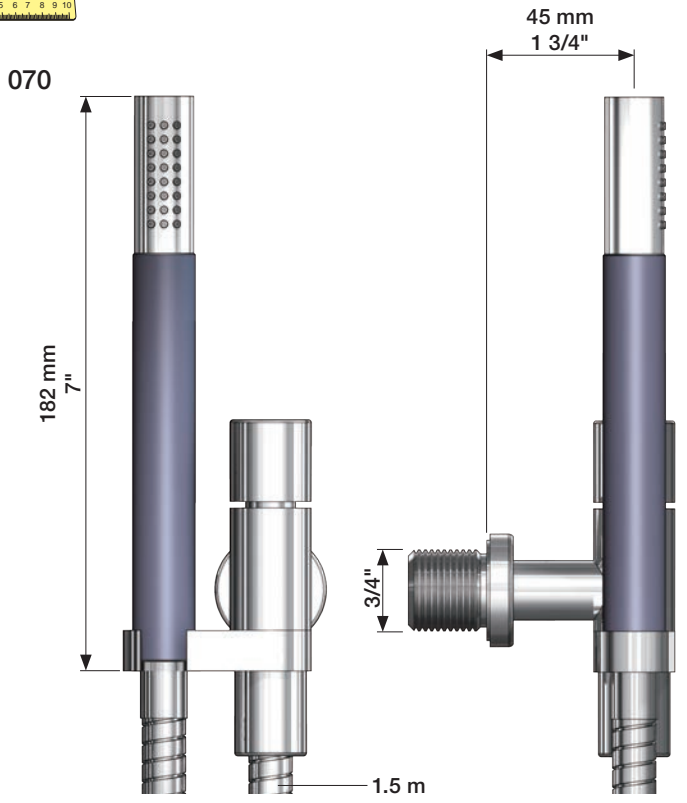
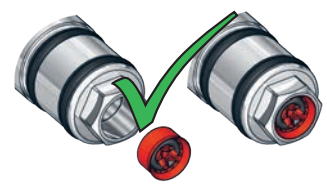
**VOLA 070, 070R, 070-HT2**

Fitting instruction  
 Montageanleitung  
 Monteringsvejledning  
 Monteringsvægledning  
 Montage hanleiding  
 Manuel de montage

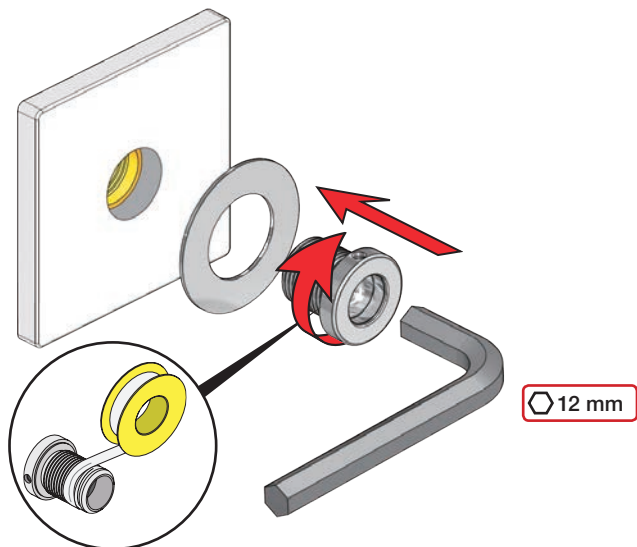
| Data  | Bar:                 | 1        | 2         | 3         | 4         | 5        |
|---|----------------------|----------|-----------|-----------|-----------|----------|
| 070/070R  | (l/min)<br>(Gal/min) | 9<br>2.5 | 9<br>2.5  | 9<br>2.5  | 9<br>2.5  | 9<br>2.5 |
| 070-HT2   | (l/min)<br>(Gal/min) | 9<br>2.5 | 12<br>3.2 | 15<br>4.0 | 17<br>4.5 | 19<br>5  |
|  | Max. 65°C. 150°F     |          |           |           |           |          |



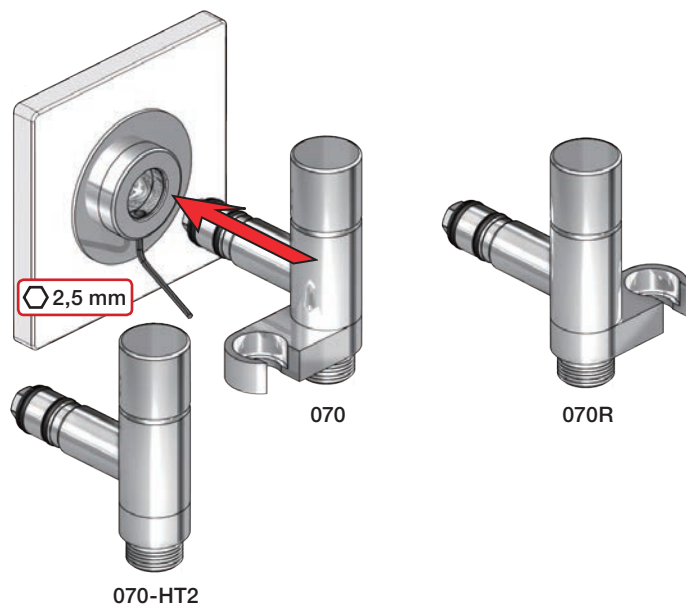
**VR161:**  
 VR161K: 7 l/min - 1.8 Gal/min (Cal Green)



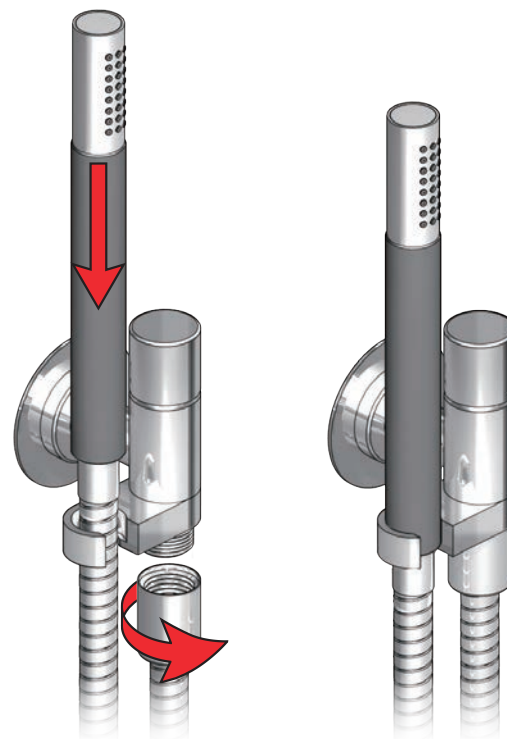
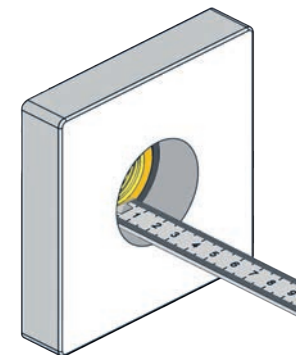
1




2

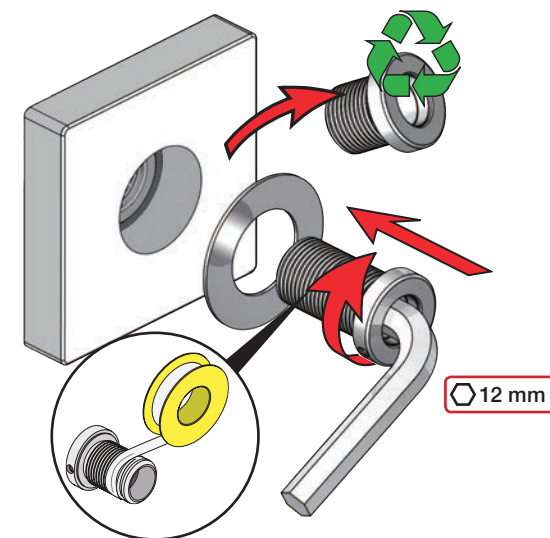


3

Extension  
VerlängerungForlængerdele  
FörlängningVerlængstukken  
Modification


|           |            | VR2019:  |
|-----------|------------|---|
| Tiles:    | 3 - 15 mm  | Standard  |
| Fliesen:  | 15 - 25 mm | VR2019+10   |
| Fliser:   | 25 - 35 mm | VR2019+20   |
| Tegels:   | 35 - 45 mm | VR2019+30   |
| Carreaux: | 45 - 55 mm | VR2019+40   |
|           | 55 - 65 mm | VR2019+50   |

VR2019+



VOLA 080, 080D, 080DK, 080K, 080W

Fitting instruction  
 Montageanleitung  
 Monteringsvejledning  
 Monteringsvægledning  
 Montage hanleiding  
 Manuel de montage

| Data  | Bar:             | 1   | 2   | 3   | 4   | 5   |
|---|------------------|-----|-----|-----|-----|-----|
| 081/081K  | (l/min)          | 8   | 12  | 14  | 17  | 19  |
|   | (Gal/min)        | 2.1 | 3.2 | 3.7 | 4.5 | 5.0 |
| 081D  | (l/min)          | 14  | 20  | 25  | 29  | 32  |
|   | (Gal/min)        | 3.7 | 5.3 | 6.6 | 7.7 | 8.5 |
| 080W  | (l/min)          | 23  | 33  | 40  | 46  | 52  |
|   | (Gal/min)        | 6.1 | 8.6 | 11  | 12  | 14  |
|  | Max. 65°C. 150°F |     |     |     |     |     |



VR161:

VR161K: 7 l/min - 1.8 Gal/min

VR161D: 9 l/min - 2.5 Gal/min

VR161F: 14 l/min - 3.7 Gal/min



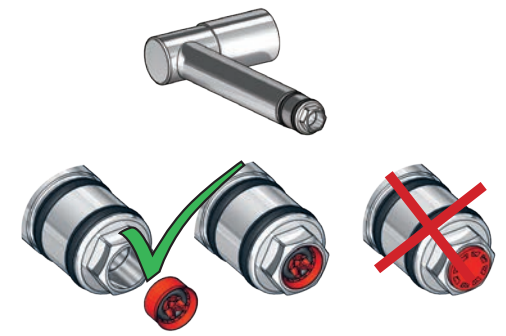
VR161K



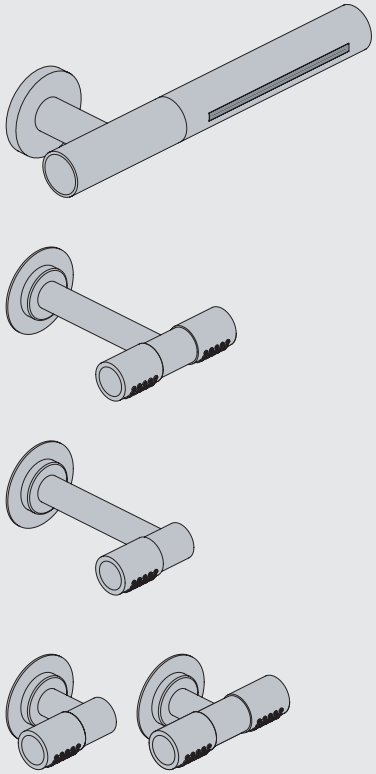
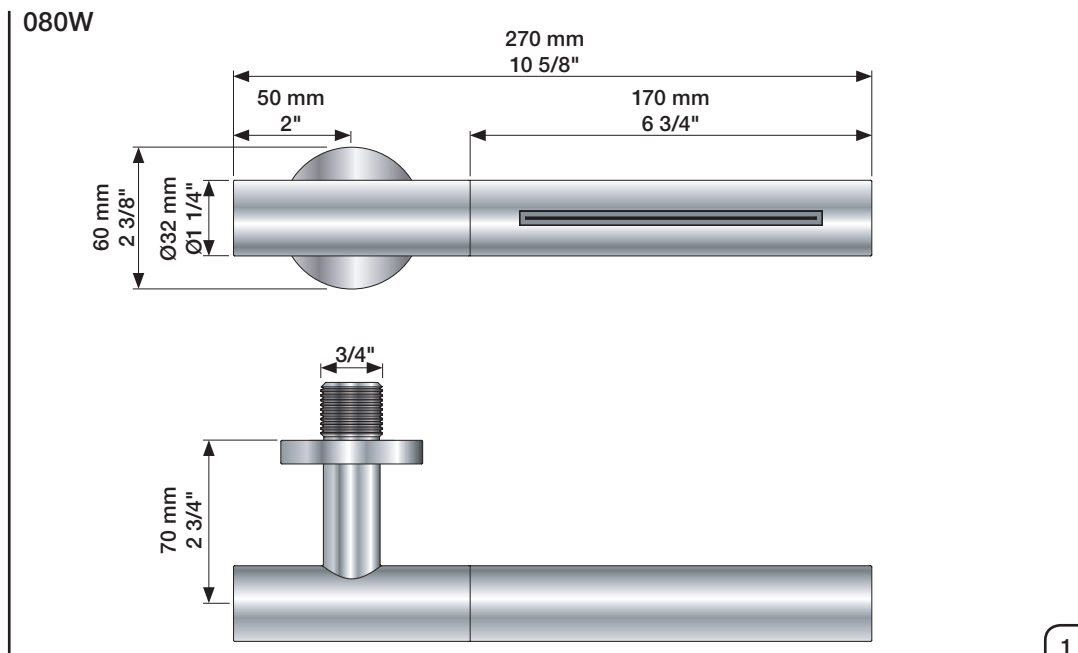
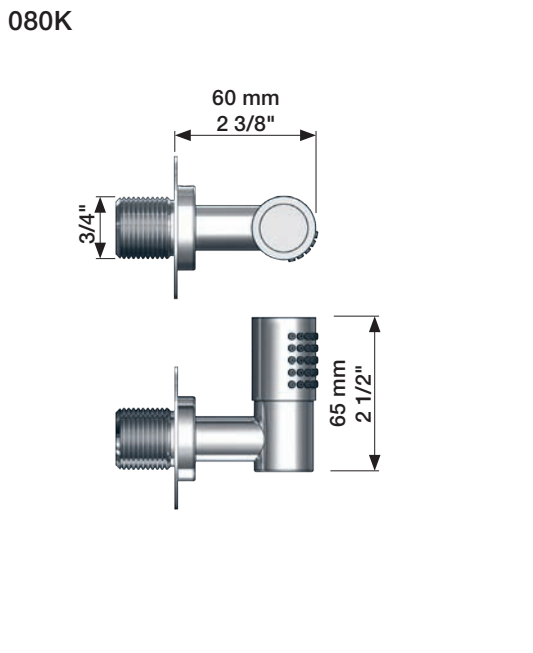
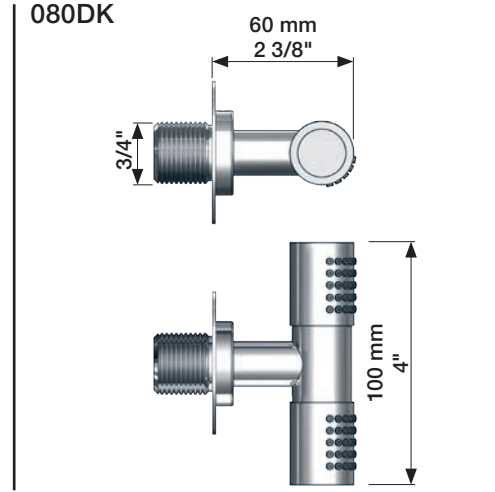
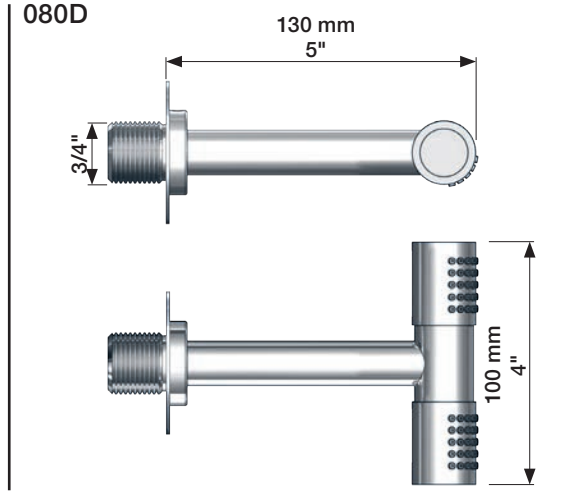
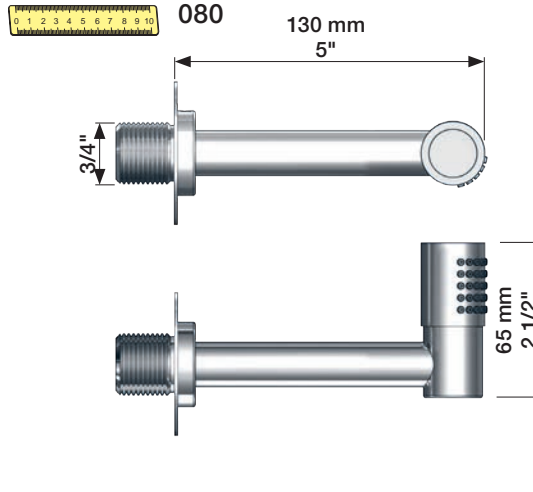
VR161D



VR161F



080W: Min. flow: 14 l/min - 3.7 Gal/min.



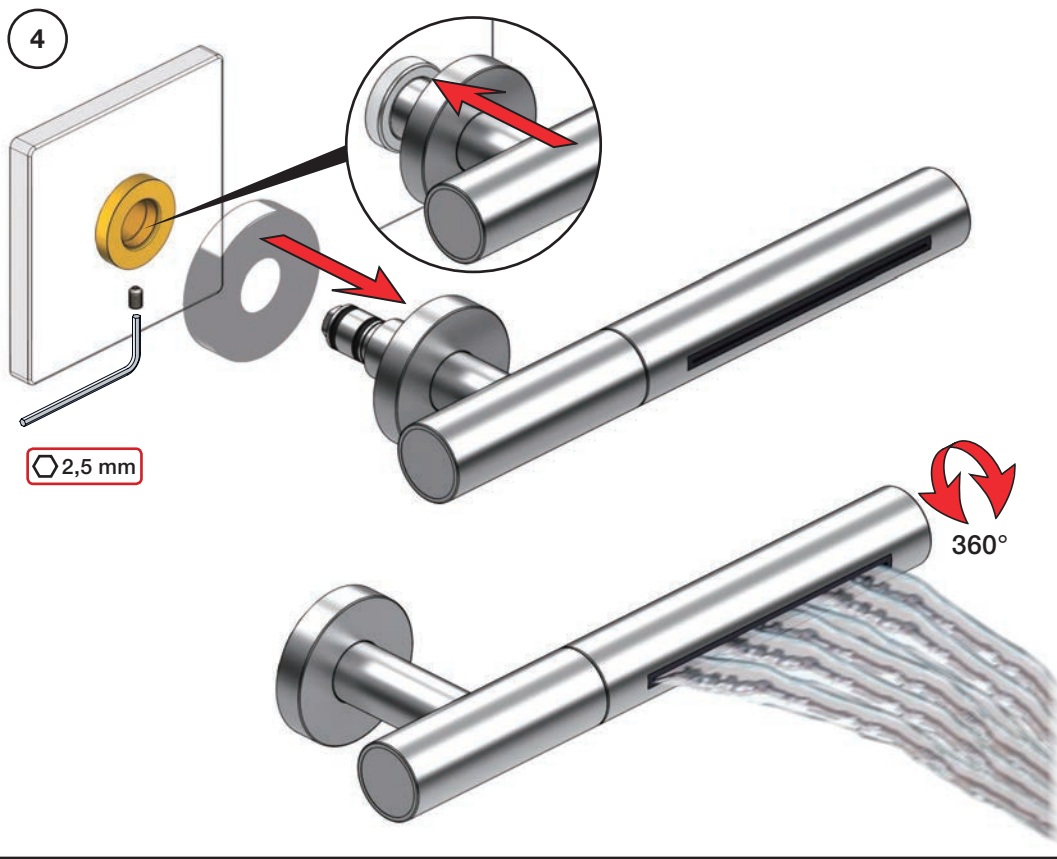
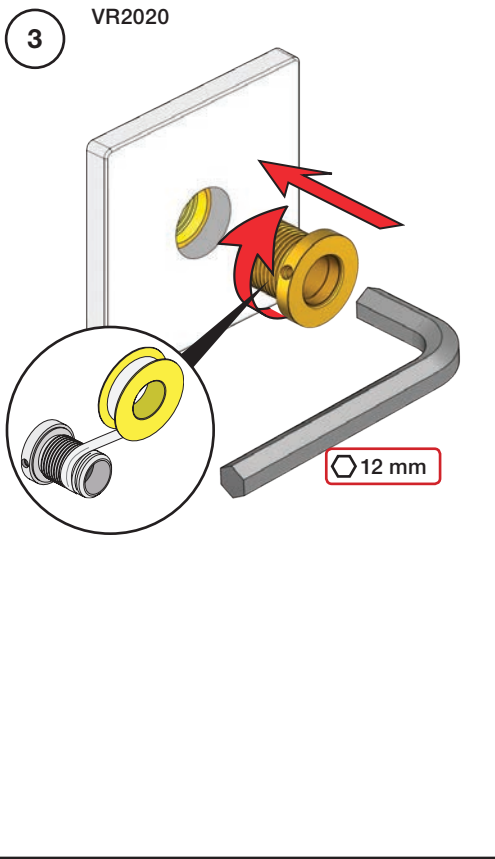
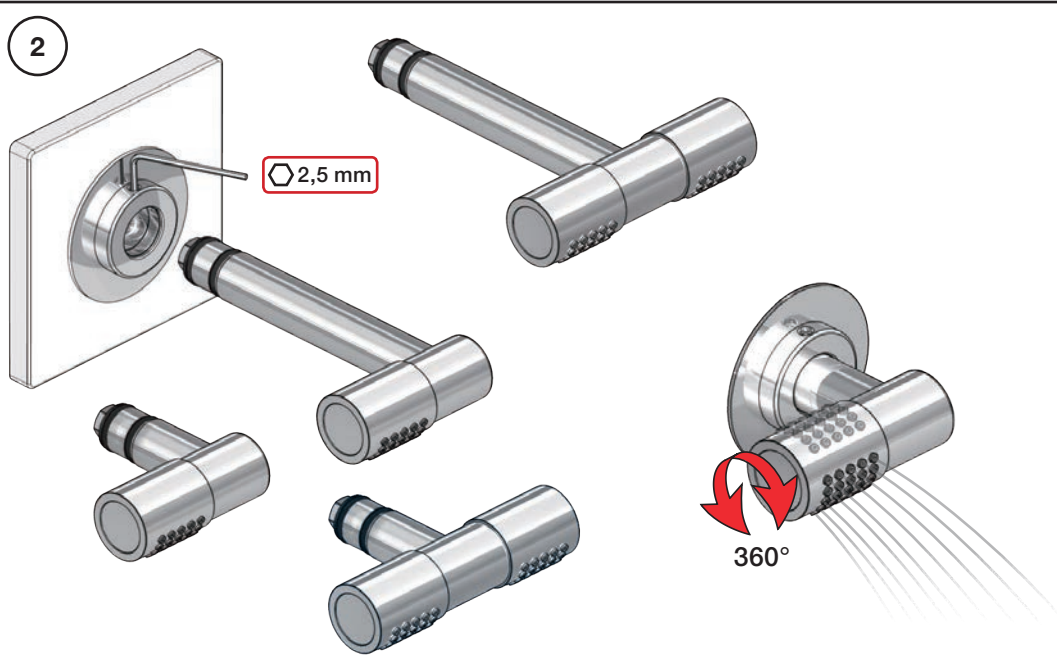
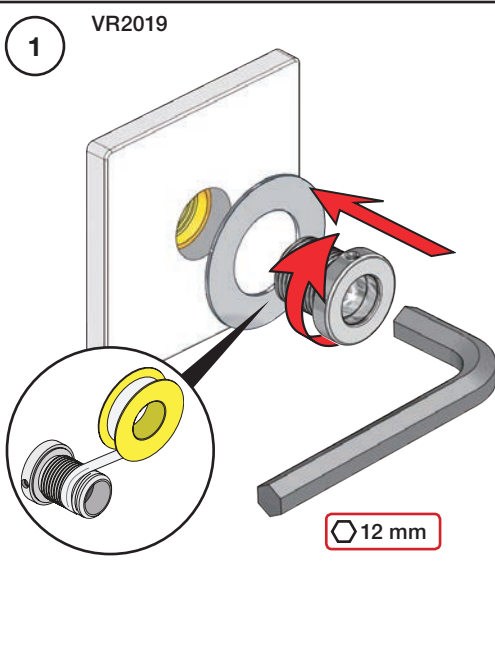
www.vola.com

mnt\_080\_V2\_40999483

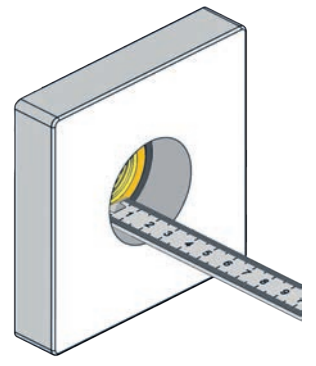




5 703182 400884

vola

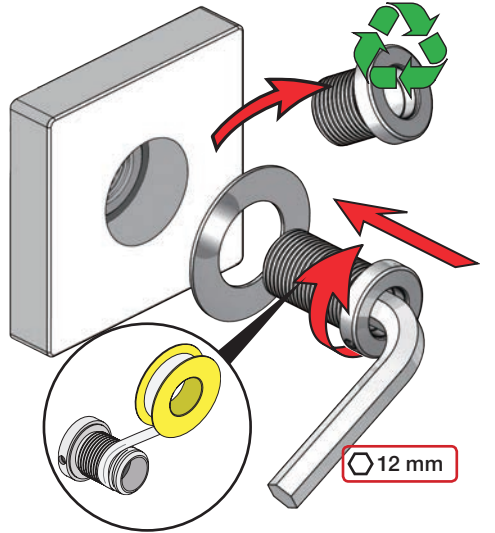


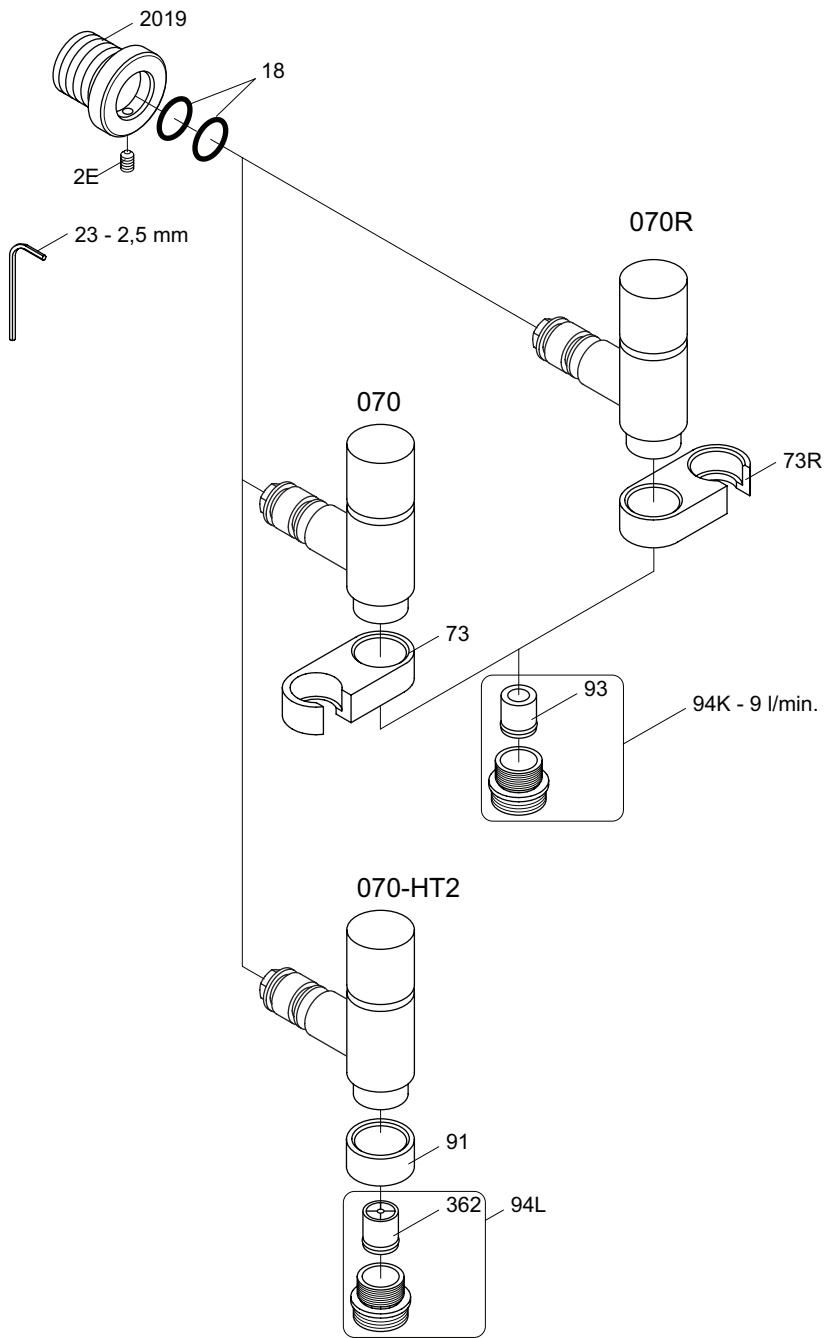
Extension      Forlængerdele      Verlængstukken  
Verlängerung      Förlängning      Modification



|           |            | VR2019:  | VR2020:  |
|-----------|------------|---|---|
|           | 3 - 15 mm  | Standard  | Standard  |
| Tiles:    | 15 - 25 mm | VR2019+10   | VR2020+10   |
| Fliesen:  | 25 - 35 mm | VR2019+20   | VR2020+20   |
| Fliser:   | 35 - 45 mm | VR2019+30   | VR2020+30   |
| Tegels:   | 45 - 55 mm | VR2019+40   | VR2020+40   |
| Carreaux: | 55 - 65 mm | VR2019+50   | VR2020+50   |

VR2019+/VR2020+





vola  
 Lunavej 2  
 DK-8700 Horsens  
 Tlf : + 45 7023 5500  
 Fax: + 45 7023 5511  
 sales@vola.com  
 www.vola.com

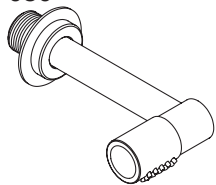
## VOLA 070, 070R 070-HT2

Date  
 Jun. 15

Rev.  
 4

Sheet  
 SB 16

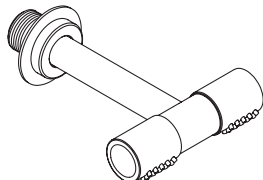
080



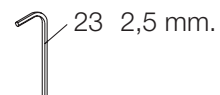
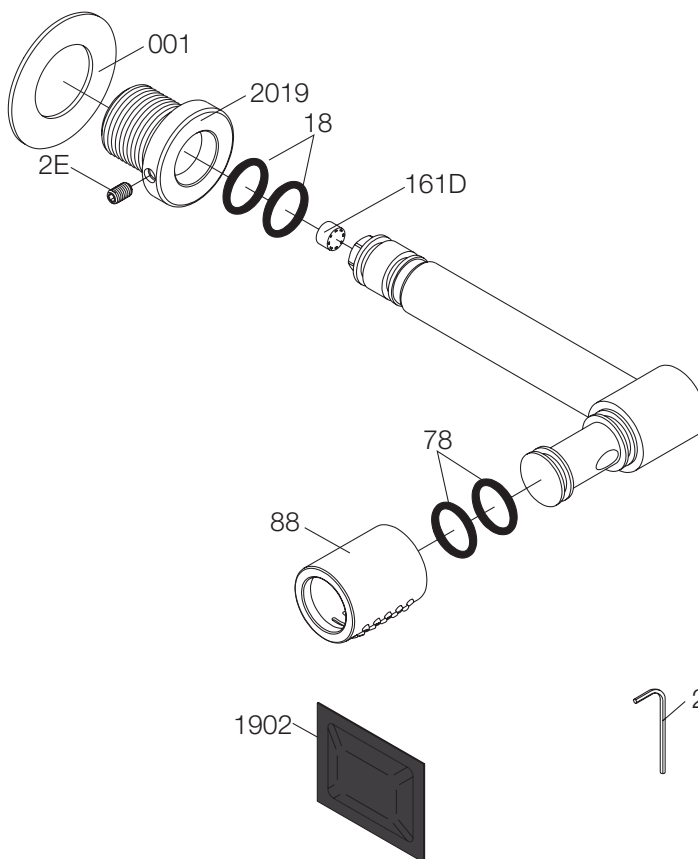
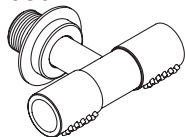
080K



080D



080DK



vola  
Lunavej 2  
DK-8700 Horsens  
Tlf : + 45 7023 5500  
Fax: + 45 7023 5511  
sales@vola.com  
www.vola.com

**VOLA 080, 080K  
VOLA 080D, 080DK**

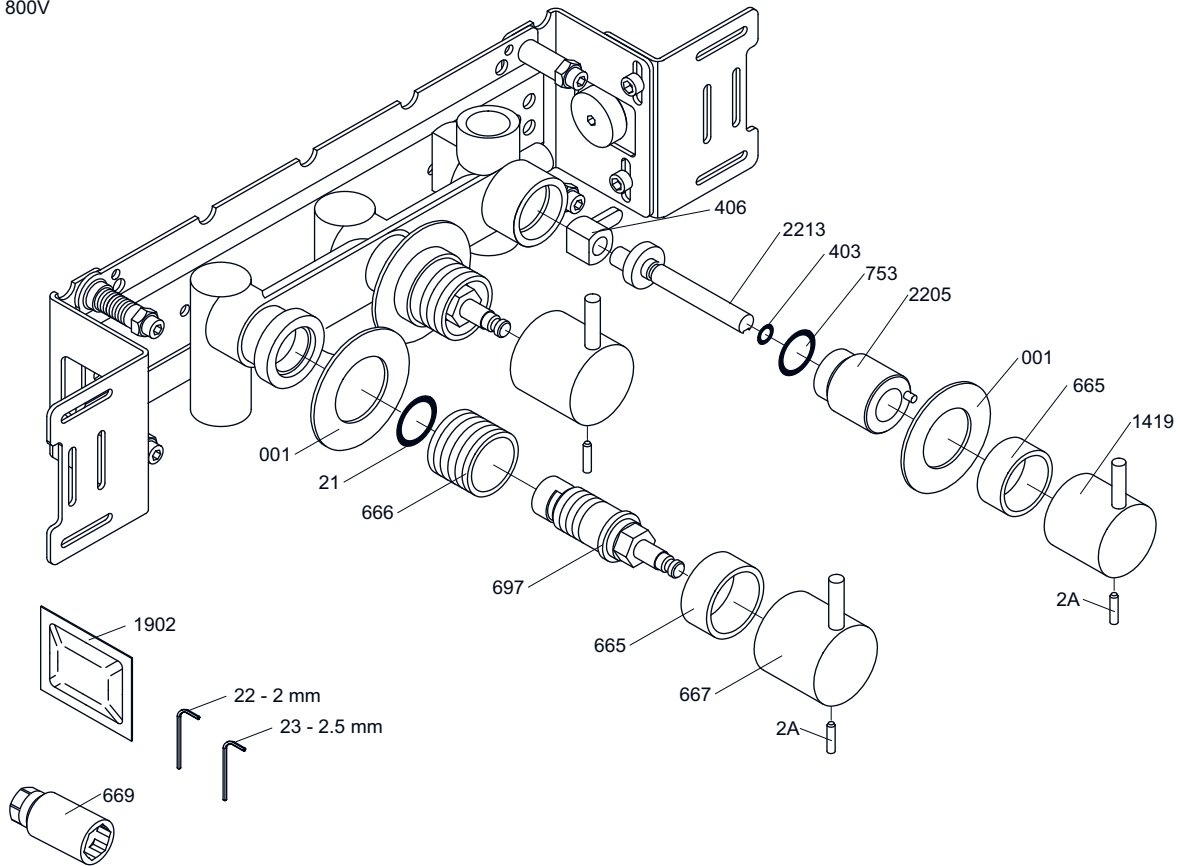
Date  
Feb. 13

Rev.  
2

Sheet  
SB 17.3

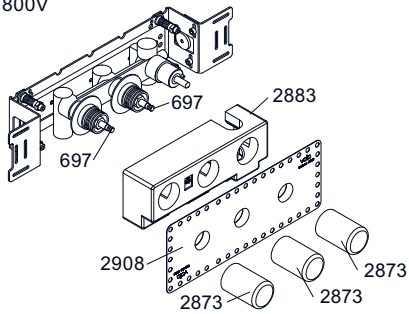


800V

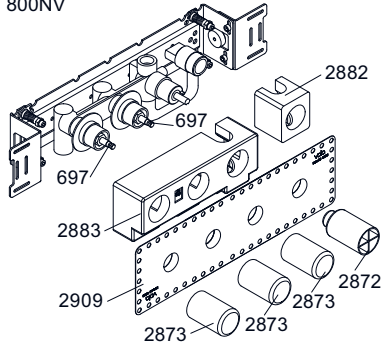


- NR17: VR2A, VR23, VR665, VR667
- NR19: VR2A, VR22, VR665, VR1419
- VR697K: VR21, VR23, VR666, VR669, VR697
- VR1400: VR21, VR23, VR406, VR1902, VR2213

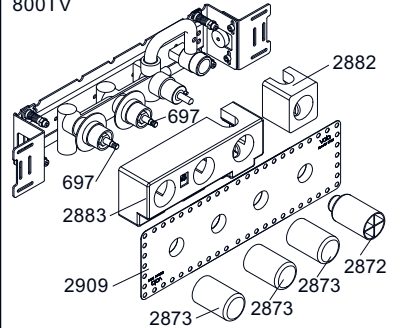
800V



800NV



800TV



003K



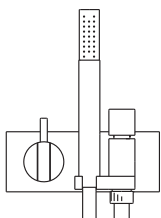
004



001



001



**VOLA A/S**  
 Lunavej 2  
 DK-8700 Horsens  
 Tlf : + 45 7023 5500  
 Fax: + 45 7023 5511  
 sales@vola.com  
 www.vola.com

**VOLA 800V**  
 800NV, 800TV

Dato

Feb. 10

Rev.

1

Blad

**SB 7.3**