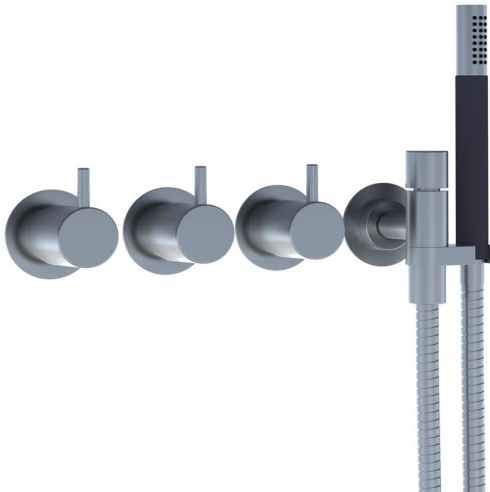


Date:

Client:

Project:

VOLA product: 871R-081



**871R-081**

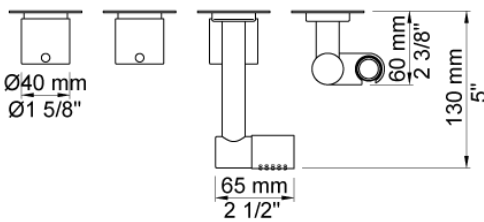
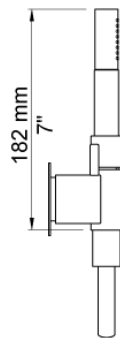
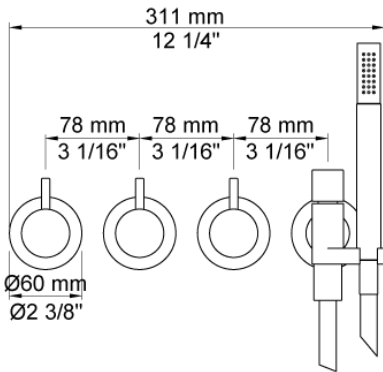
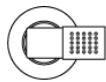
Two-handle build-in mixer with ¼ turn ceramic disc technology and diverter. 871R-081UP = Mixer 800N. 871R-081AP = 2 pcs. handles NR17, handle NR19G, hand shower and hand shower holder with non-return valve 070R, hose 1500 mm, 115 mm head shower 080, 5 pcs. 60 mm circular flanges 001.

**Flow**

	Bar:	1.0	2.0	3.0	4.0	5.0
070R <sup>1)</sup>	(l/min)	5.2	7.4	9.0	9.0	9.0
080 <sup>2)</sup>	(l/min)	7.2	10.2	12.5	14.4	16.1

<sup>1)</sup> USA: Flow restricted to 1.8 gpm (7.0 l/min)

<sup>2)</sup> USA: Flow restricted to 1.8 gpm (7.0 l/min)



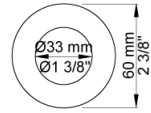
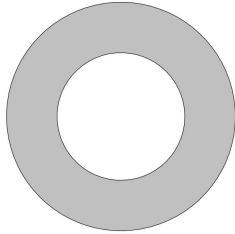
**Available in colors**

- Color 02, Grey
- Color 04, Light blue
- Color 05, Orange
- Color 06, Light green
- Color 08, Yellow
- Color 09, Dark grey
- Color 12, Mocca
- Color 14, Bright red
- Color 15, Dark blue
- Color 16, Polished chrome
- Color 17, Gloss black
- Color 18, White
- Color 19, Natural brass
- Color 20, Brushed chrome
- Color 21, Carmine red
- Color 25, Pink
- Color 27, Matt black
- Color 40, Brushed stainless steel

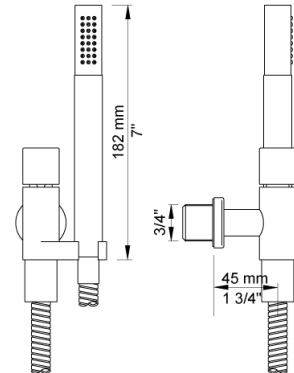
Date:

Client:

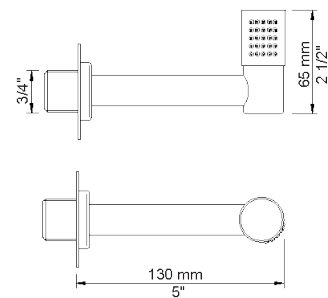
Project:



**001**  
60 mm circular flange. Hole Ø33 mm.



**070R**  
Hand shower, hand shower with holder to the right and hose with non-return valve.

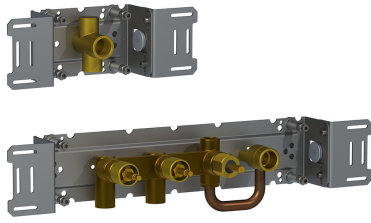


**080**  
130 mm head shower. 60 mm cover flange included.

Date:

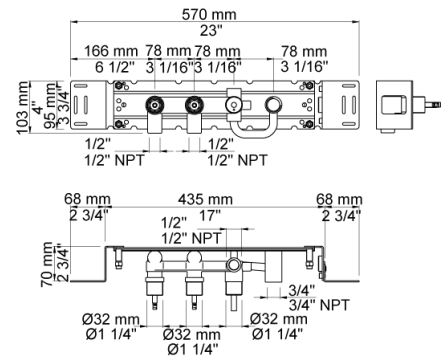
Client:

Project:



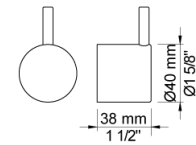
**800N**

Two-handle build-in mixer with diverter, including one fixed and one separate outlet socket, 200M. 1/2" connection to copper, steel, iron or pex pipe work.



**NR17**

Operating handle for 600, 700, 800, 900, 1500, 2800, 2900, S20, S21, S40, S42 incl. variants. Ø40 mm.



**NR19G**

Diverter handle for 400 and 800 incl. variants. Ø40 mm. With peg in the same colour as handle(standard).

